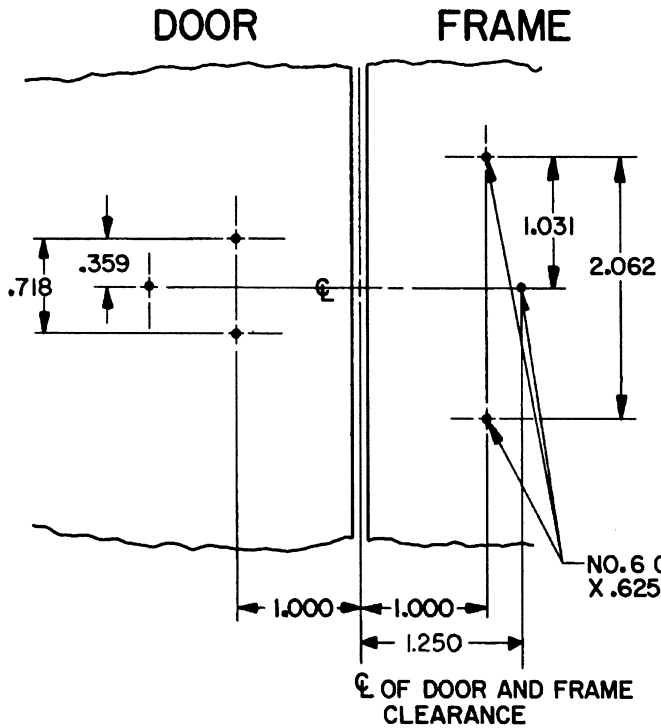
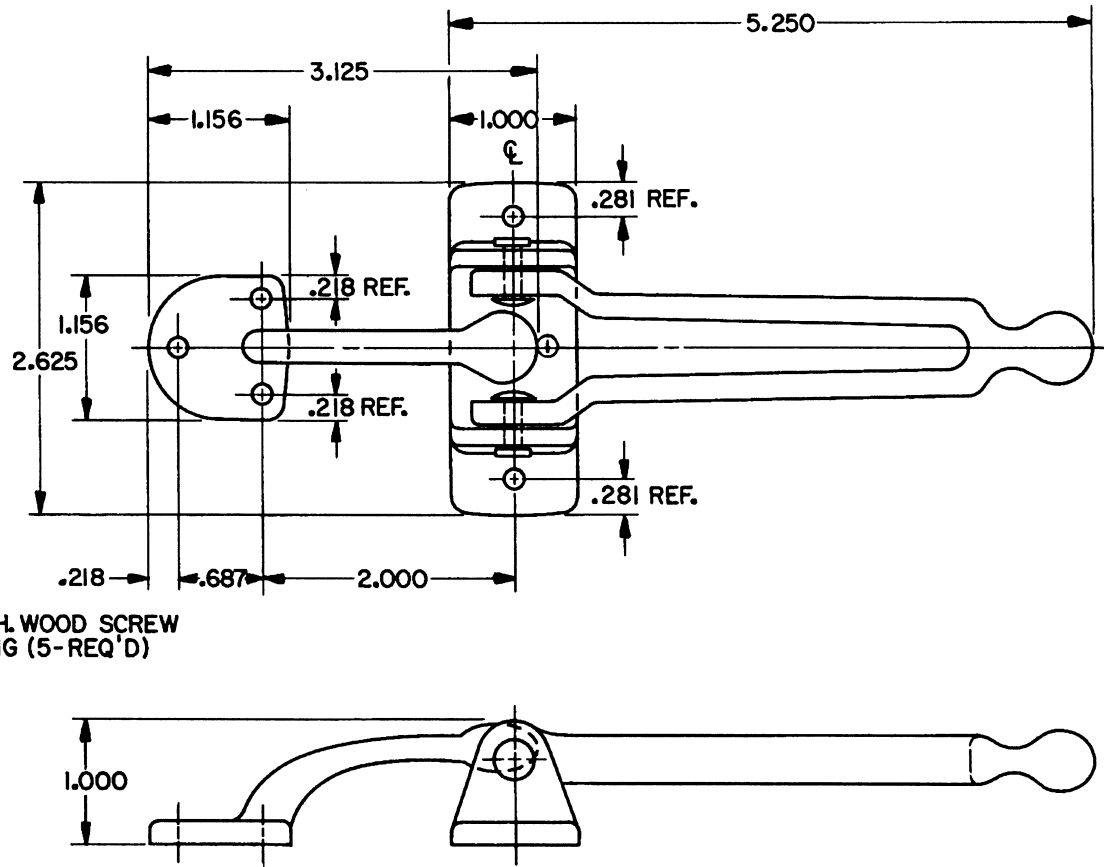


# DOOR AND FRAME DETAIL



# DOOR GUARD DETAIL



EFFECTIVE: 2-1-93  
RAM

<b>B. BALDWIN</b>	
<b>0250 SECURITY DOOR GUARD</b>	
TEMPLATE NO. VARIATIONS	TEMPLATE NO.
	<b>A100</b>

DO NOT SCALE DRAWING

©1993 by Baldwin Hardware Corporation