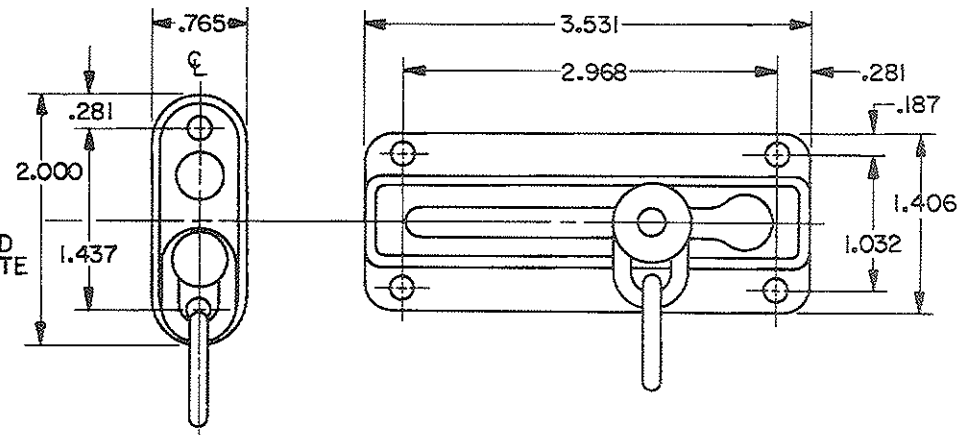
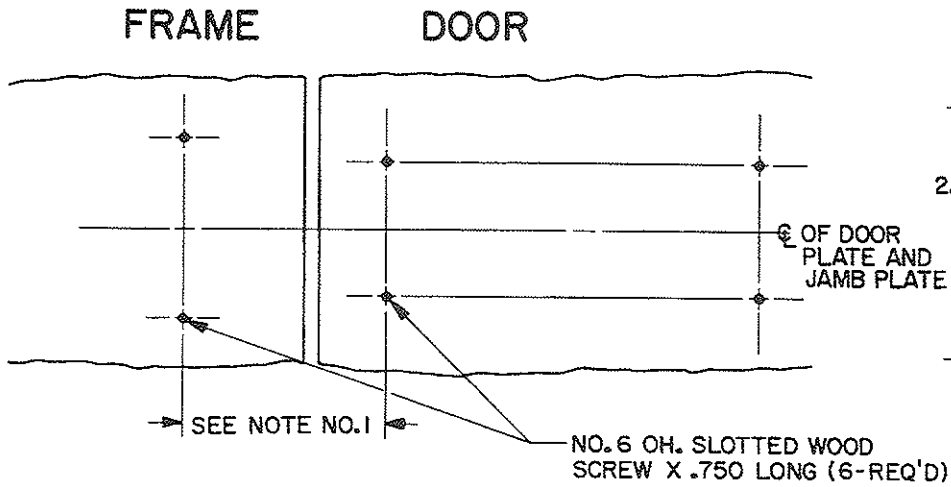


# FRAME AND DOOR DETAIL

# FASTENER DETAIL



**NOTE :**

- 1.) CHAIN DOOR FASTENER MUST BE MOUNTED IN SUCH A WAY THAT DOOR MUST BE COMPLETELY CLOSED TO ENGAGE OR DISENGAGE CHAIN.

EFFECTIVE 9-1-86 R.A.M.

<b>BALDWIN</b>	
<b>0255,0256 CHAIN DOOR FASTENER</b>	
TEMPLATE NO.	<b>A101</b>

**DO NOT SCALE DRAWING**

©1986 by Baldwin Hardware Corporation