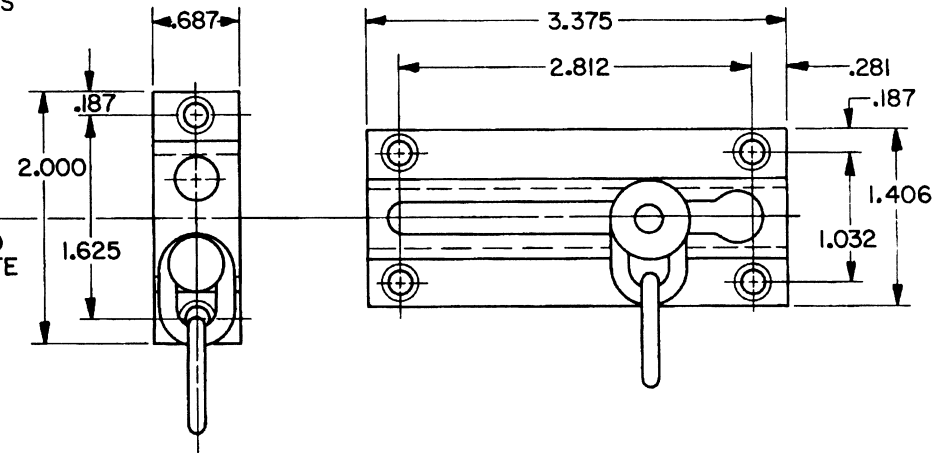
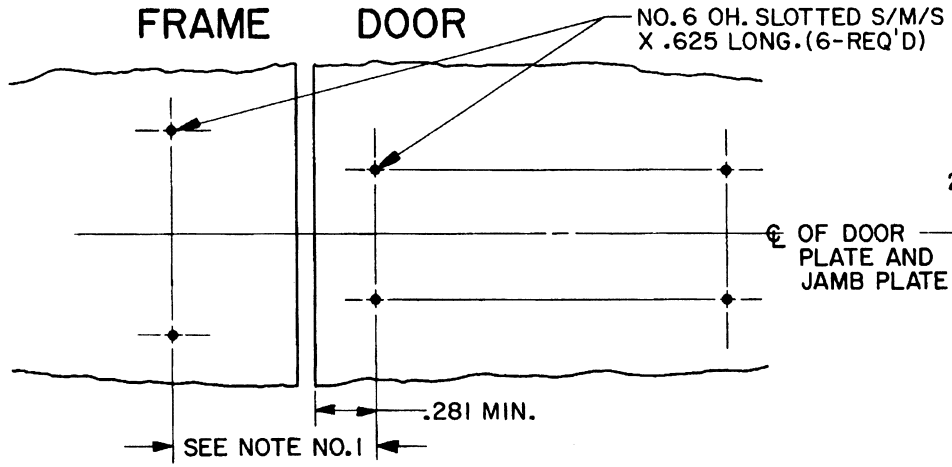


# FRAME AND DOOR DETAIL

# FASTENER DETAIL



NOTE:  
1.) CHAIN DOOR FASTENER MUST BE MOUNTED IN SUCH A WAY  
THAT DOOR MUST BE COMPLETELY CLOSED TO ENGAGE OR  
DISENGAGE CHAIN.

EFFECTIVE: 9-1-86 R.A.D. 9

<b>B. BALDWIN</b>	
<b>0260 AND 0261 CHAIN DOOR FASTENER</b>	
TEMPLATE NO	
<b>A102</b>	

DO NOT SCALE DRAWING

©1986 by Baldwin Hardware Corporation