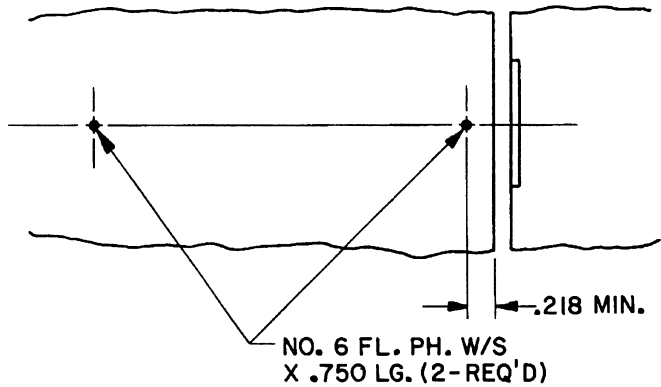
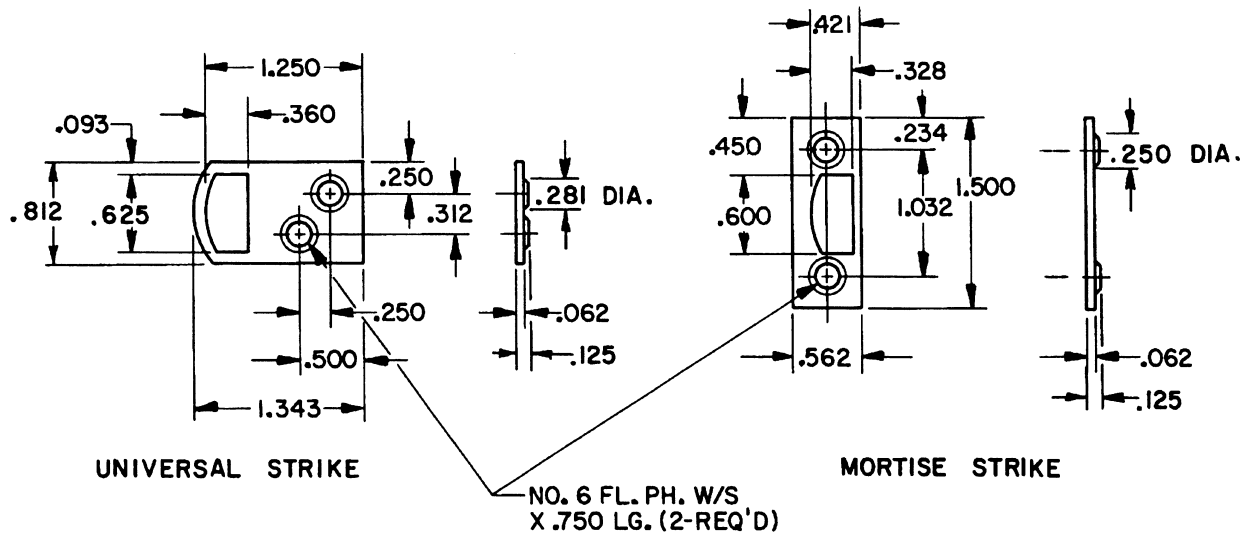
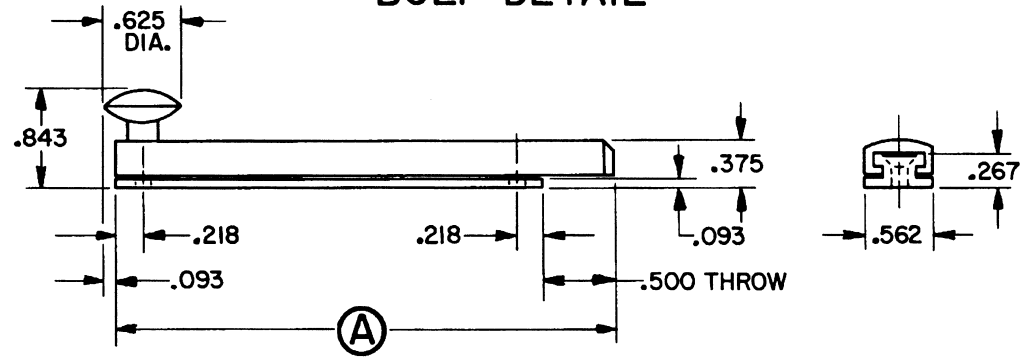


DOOR AND JAMB DETAIL



BOLT DETAIL



PART NO.	0321	0322	0324
DIMENSION (A)	3.00	4.00	6.00

B. BALDWIN	
SURFACE BOLTS	
TEMPLATE NO. VARIATIONS	TEMPLATE NO.
	A134

EFFECTIVE: 9-1-86 R.A.S.

DO NOT SCALE DRAWING

©1986 by Baldwin Hardware Corporation