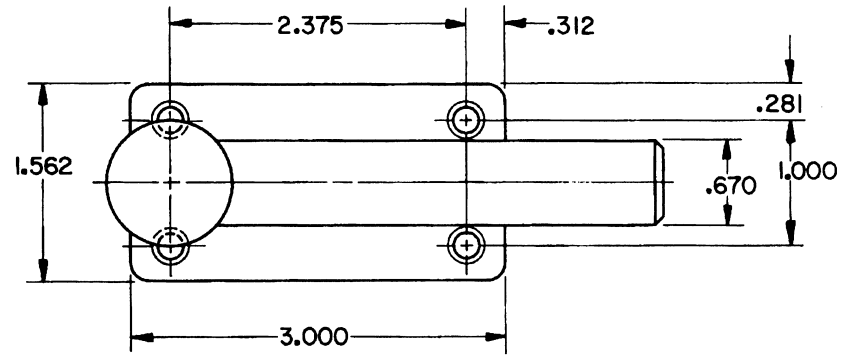
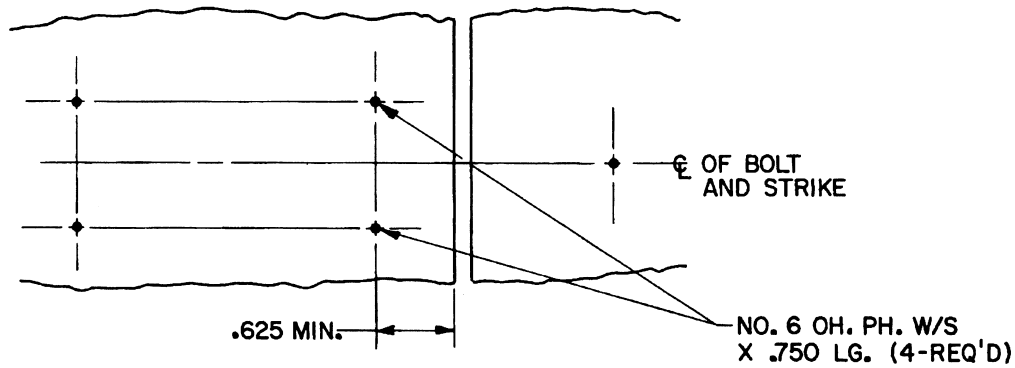
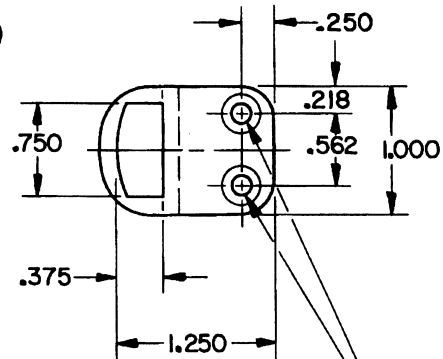
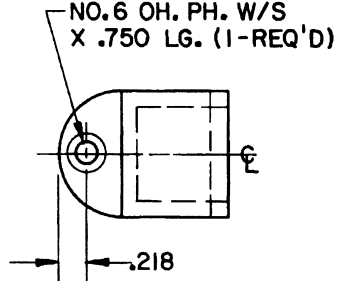


DOOR AND JAMB DETAIL

BOLT DETAIL

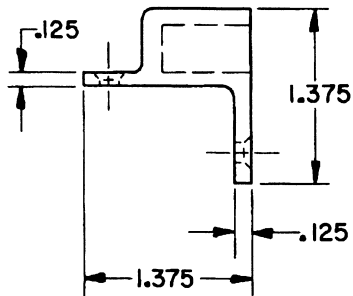
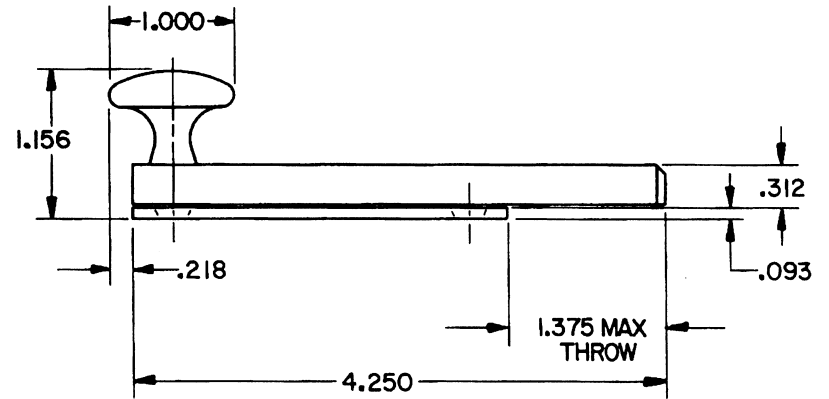


NO. 6 OH. PH. W/S X .750 LG. (1-REQ'D)



NO. 6 FL. PH. W/S X .750 LG. (2-REQ'D)

HEAVY DUTY ANGLE STRIKE



EFFECTIVE: 9-1-86 R.A.D.

BALDWIN	
0345 SURFACE BOLT	
TEMPLATE NO. VARIATIONS	TEMPLATE NO
	A137

DO NOT SCALE DRAWING

©1986 by Baldwin Hardware Corporation