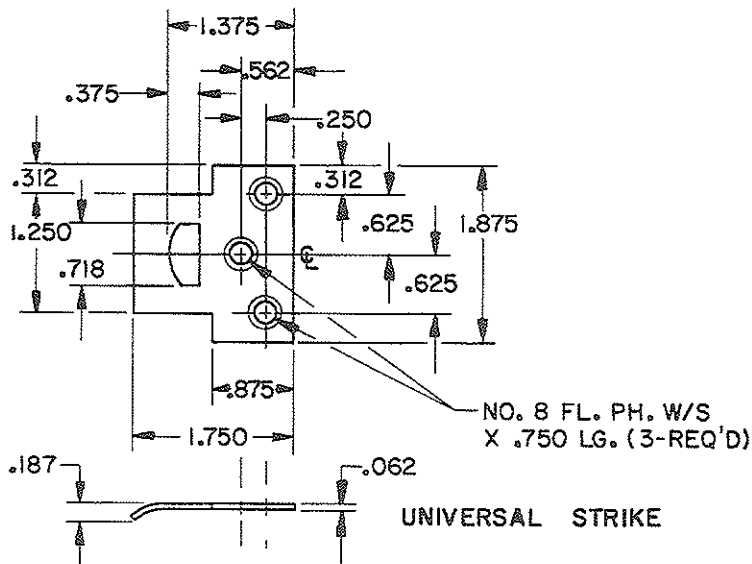
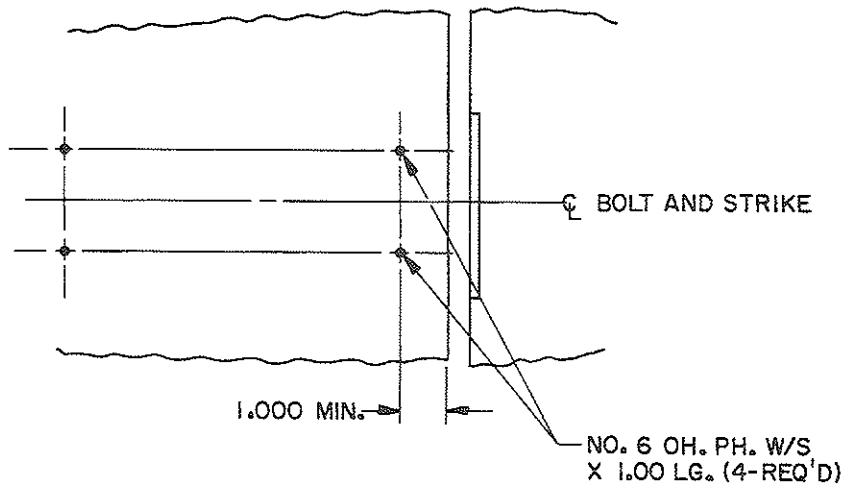
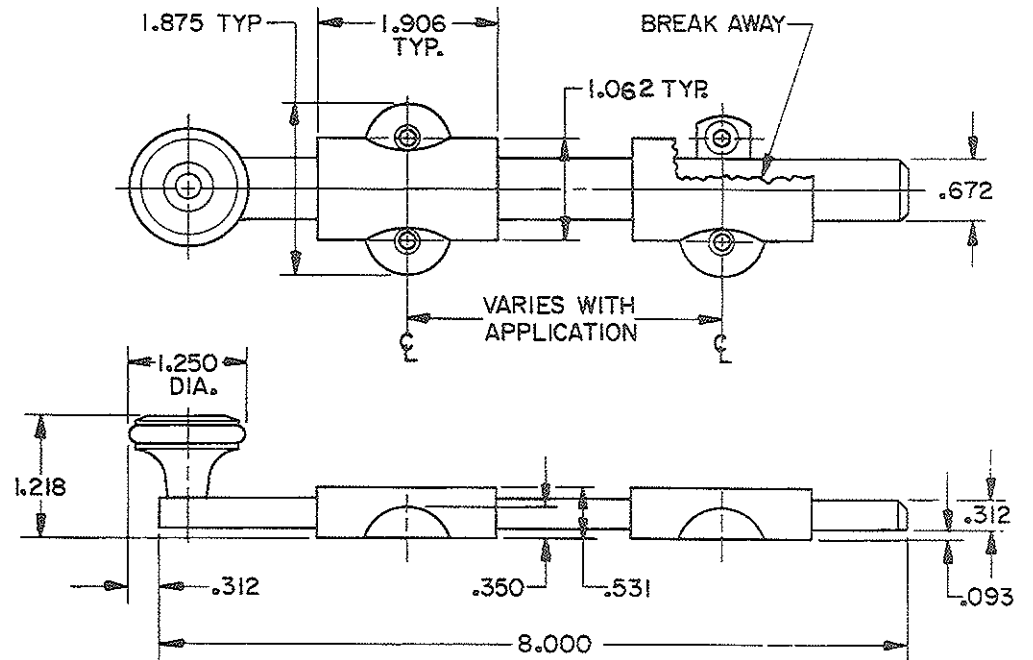


# DOOR AND JAMB DETAIL



# BOLT DETAIL



EFFECTIVE: 9-1-86 R.A.M.

<b>BALDWIN</b>	
<b>0386 SURFACE BOLT</b>	
TEMPLATE NO. VARIATIONS	TEMPLATE NO.
	<b>A146</b>

DO NOT SCALE DRAWING

©1986 by Baldwin Hardware Corporation