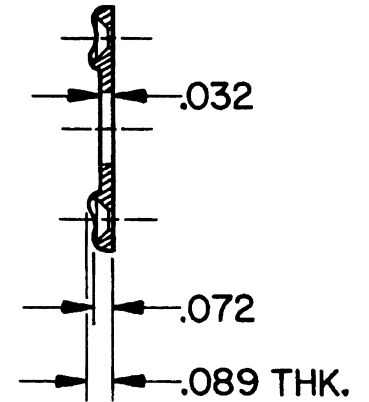
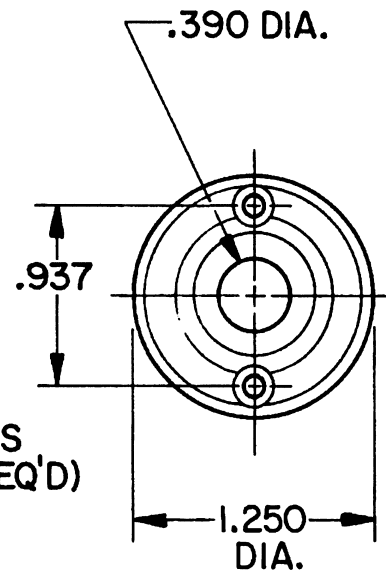
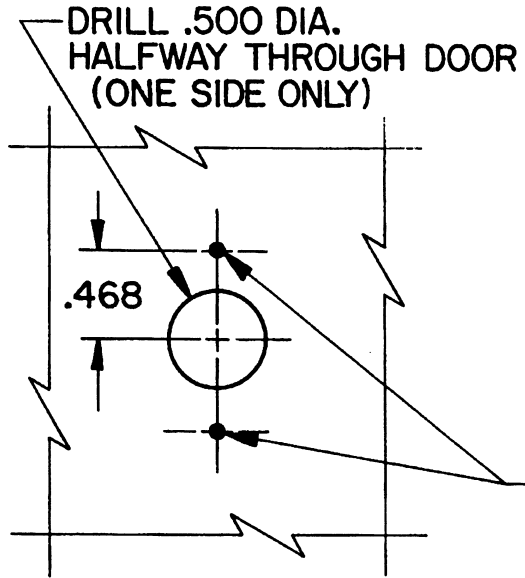


# DOOR DETAIL

# TRIM DETAIL



## IMPORTANT NOTE:

TO ENABLE EMERGENCY TRIM TO FUNCTION  
THE TURN PIECE SPINDLE MUST BE CUT TO  
EXTEND NO FURTHER THAN HALFWAY THROUGH  
THE DOOR.

EFFECTIVE: 5-1-88 R. And. 3

**B** BALDWIN

**0403 EMERGENCY RELEASE TRIM**

TEMPLATE NO. VARIATIONS

TEMPLATE NO.

**A164**