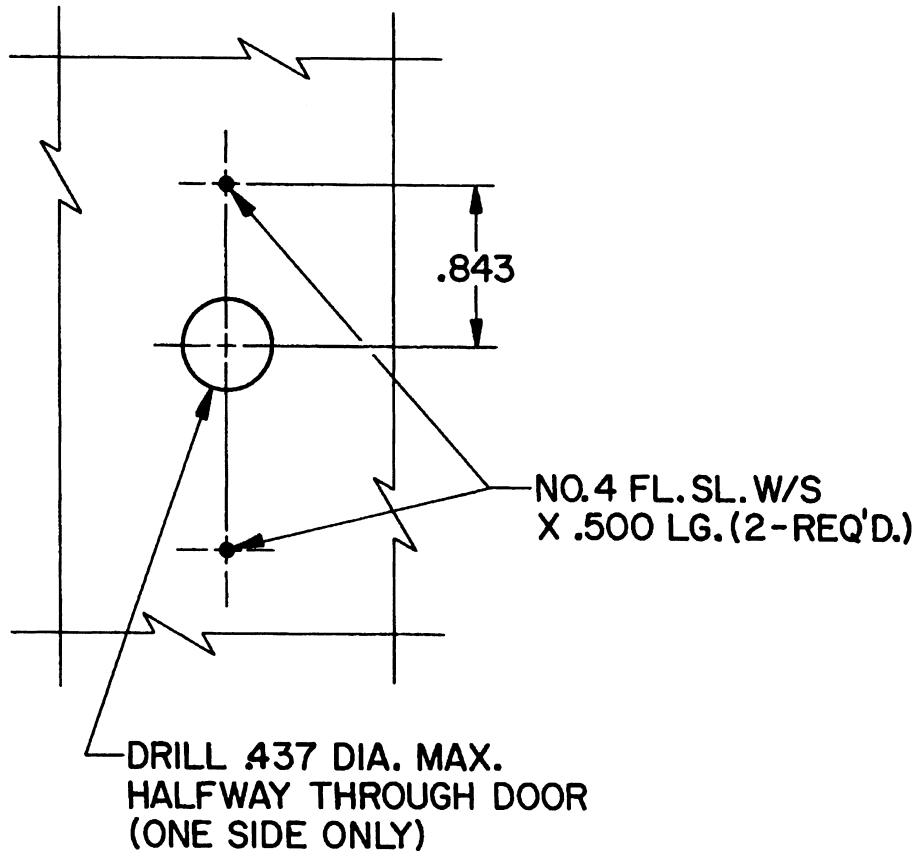
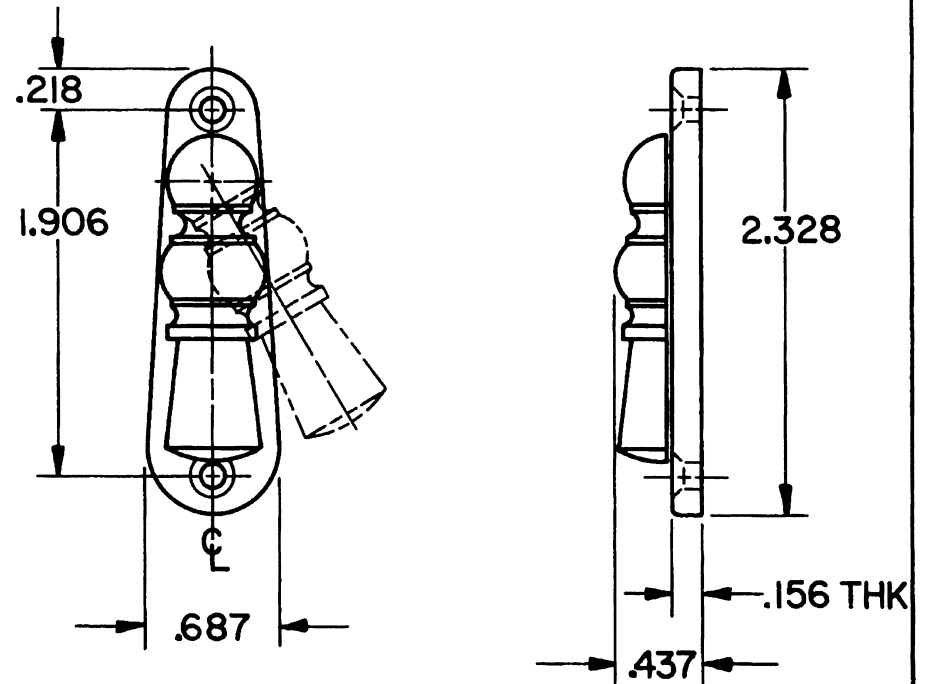


DOOR DETAIL



TRIM DETAIL



EFFECTIVE: 2.1.83

IMPORTANT NOTE:

TO ENABLE EMERGENCY TRIM TO FUNCTION,
THE TURN PIECE SPINDLE MUST BE CUT TO
EXTEND NO FURTHER THAN HALFWAY THROUGH
THE DOOR.

B BALDWIN

0406 EMERGENCY RELEASE TRIM

TEMPLATE NO. VARIATIONS

TEMPLATE NO.

A167