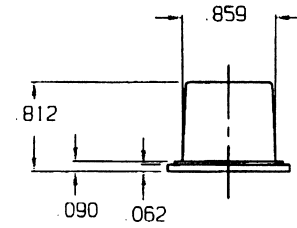
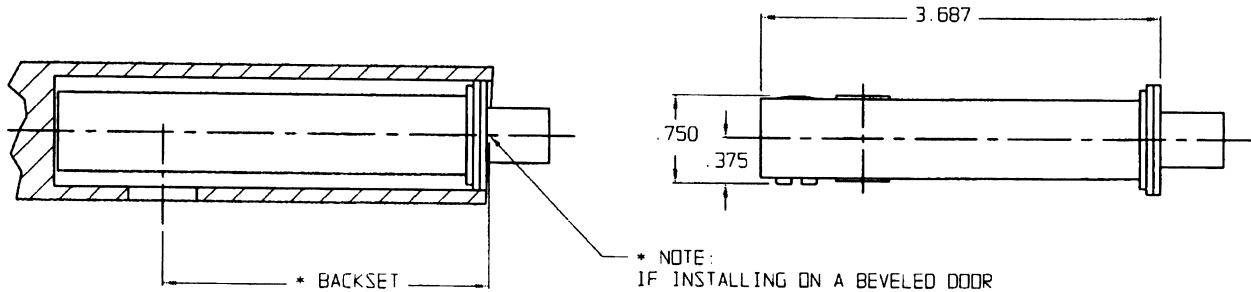


DOOR DETAIL

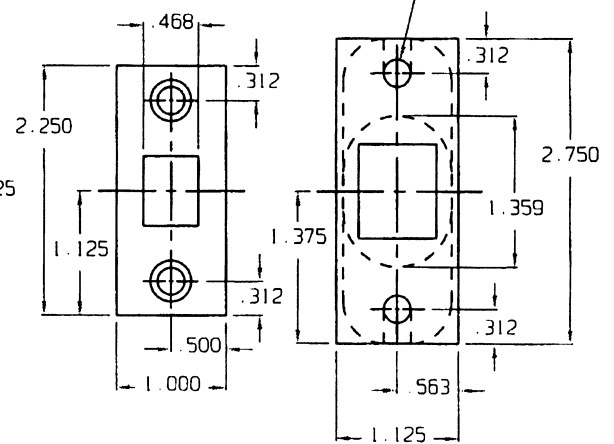
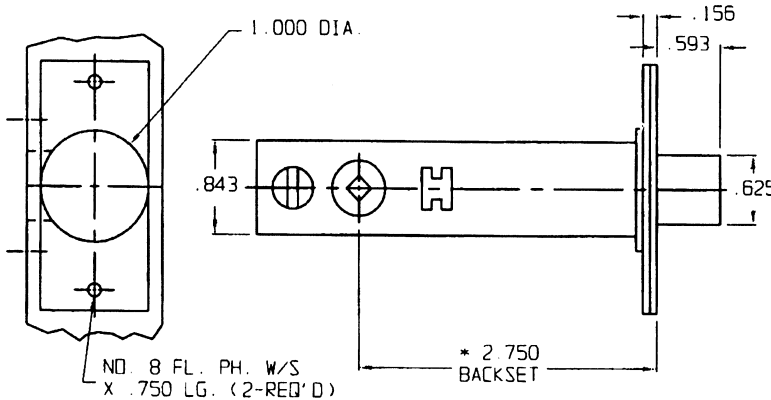
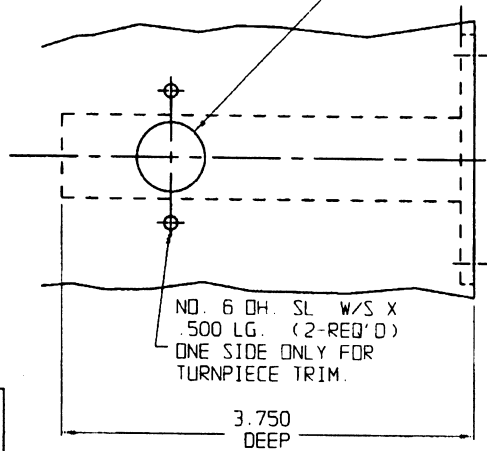
BOLT DETAIL



* NOTE:
IF INSTALLING ON A BEVELED DOOR
BE CERTAIN TO MEASURE 2.75 BACKSET
FROM THE CENTER OF THE BEVEL.

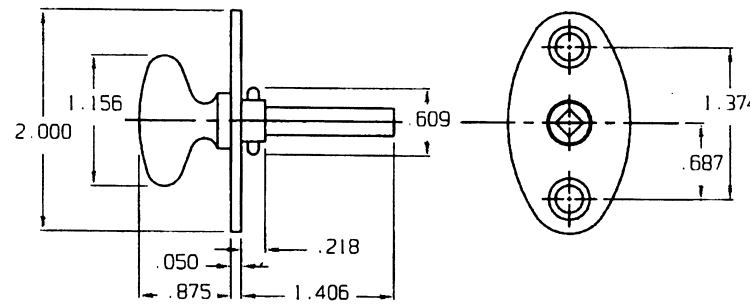
NO. 8 FL. PH. W/S
X .750 LG. (2-REQ'D)

DRILL .625 DIA ONE SIDE ONLY
FOR TURN PIECE TRIM. DRILL
HALFWAY THRU DOOR.



NO. 6 OH. SL W/S X
.500 LG. (2-REQ'D)
ONE SIDE ONLY FOR
TURNPIECE TRIM.

NO. 8 FL. PH. W/S
X .750 LG. (2-REQ'D)



IMPORTANT NOTE:

IF EMERGENCY TRIM IS USED, THE TURN PIECE
SPINDLE MUST BE CUT TO EXTEND NO FURTHER
THAN HALFWAY THRU THE BOLT. REFER TO
SPECIFIC EMERGENCY RELEASE TRIM TEMPLATE
FOR FURTHER DETAILS.

DO NOT SCALE DRAWING

B. BALDWIN

041 4 MORTISE BOLT

TEMPLATE NO. VARIATIONS

TEMPLATE NO.

© 1988 BY BALDWIN HARDWARE CORPORATION

A173 B

EFFECTIVE 2-3-97