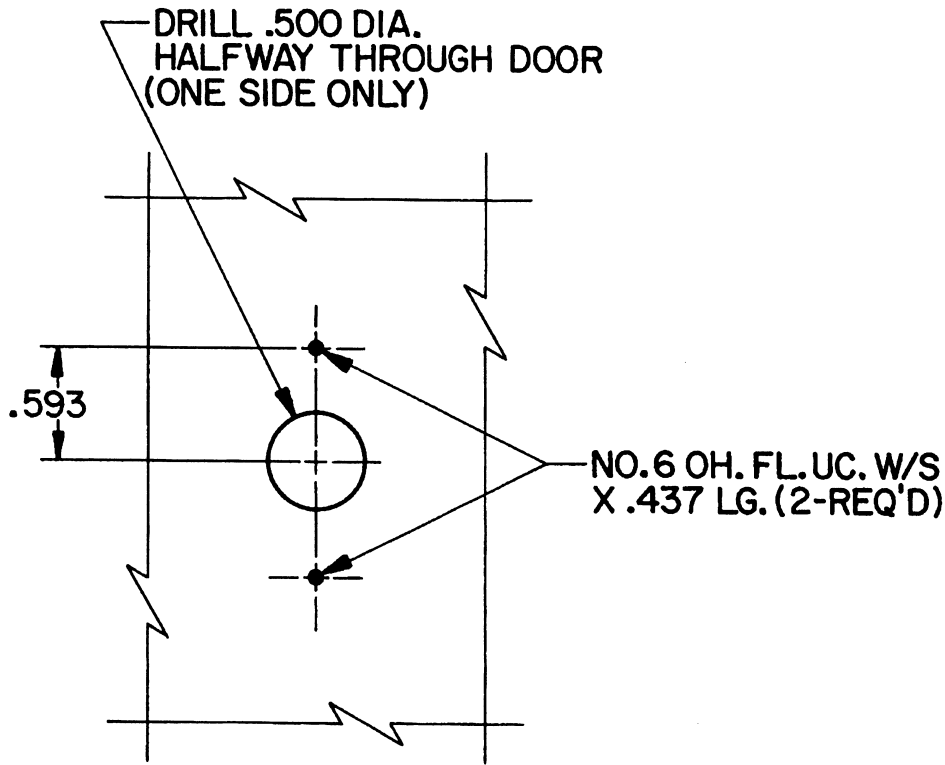
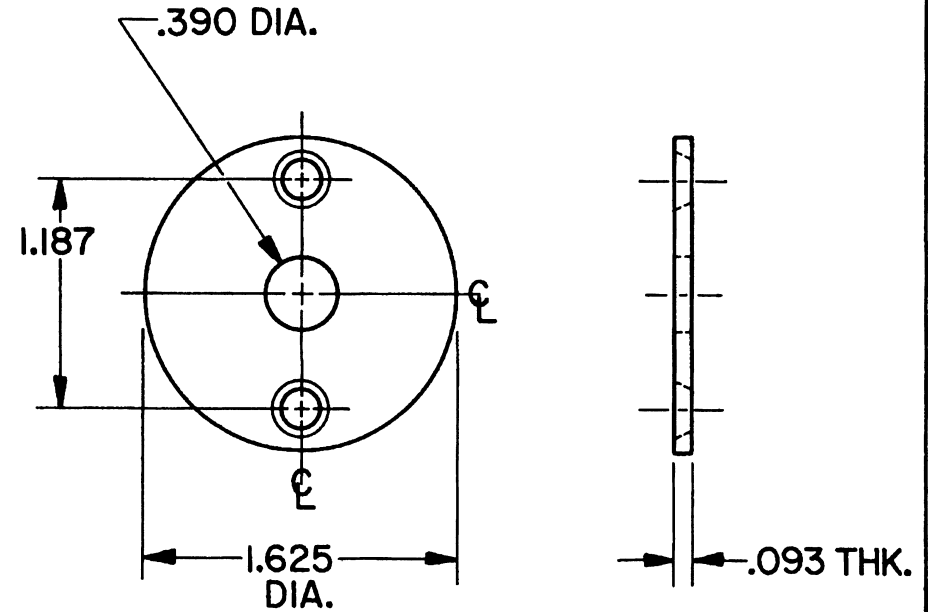


# DOOR DETAIL



# TRIM DETAIL



### IMPORTANT NOTE:

TO ENABLE EMERGENCY TRIM TO FUNCTION,  
THE TURN PIECE SPINDLE MUST BE CUT TO  
EXTEND NO FURTHER THAN HALFWAY THROUGH  
THE DOOR.

EFFECTIVE: 5-1-88  
R. Adams

**B. BALDWIN**

**0415 EMERGENCY RELEASE TRIM**

TEMPLATE NO. VARIATIONS

TEMPLATE NO.

**A174**