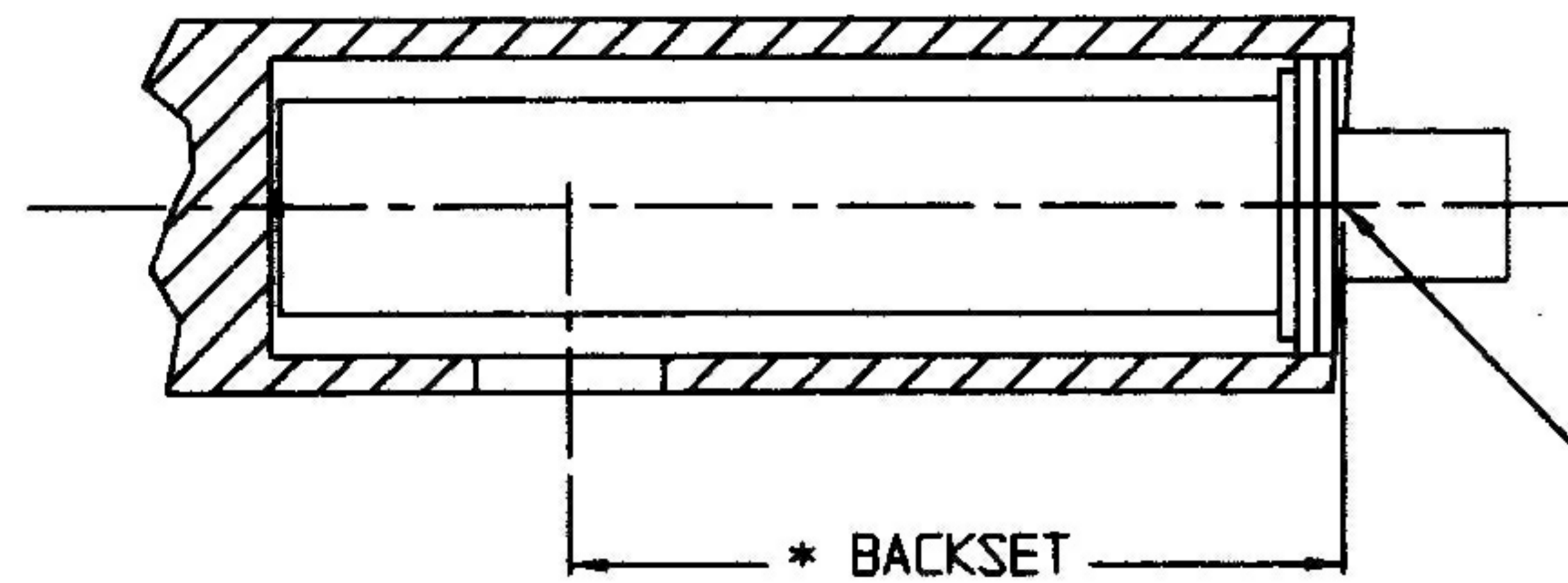


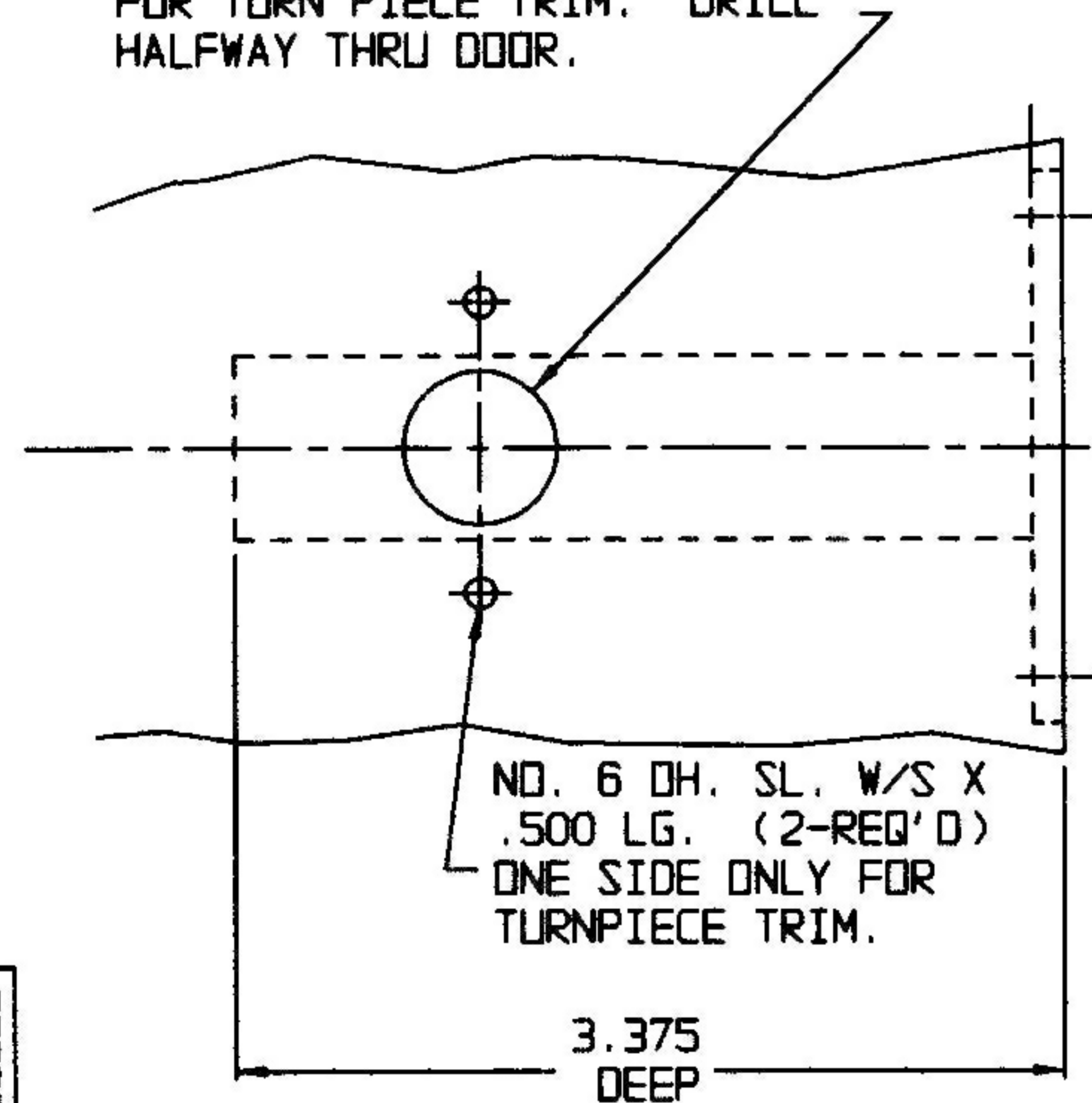
DOOR DETAIL

BOLT DETAIL



* BACKSET

DRILL .625 DIA ONE SIDE ONLY FOR TURN PIECE TRIM. DRILL HALFWAY THRU DOOR.



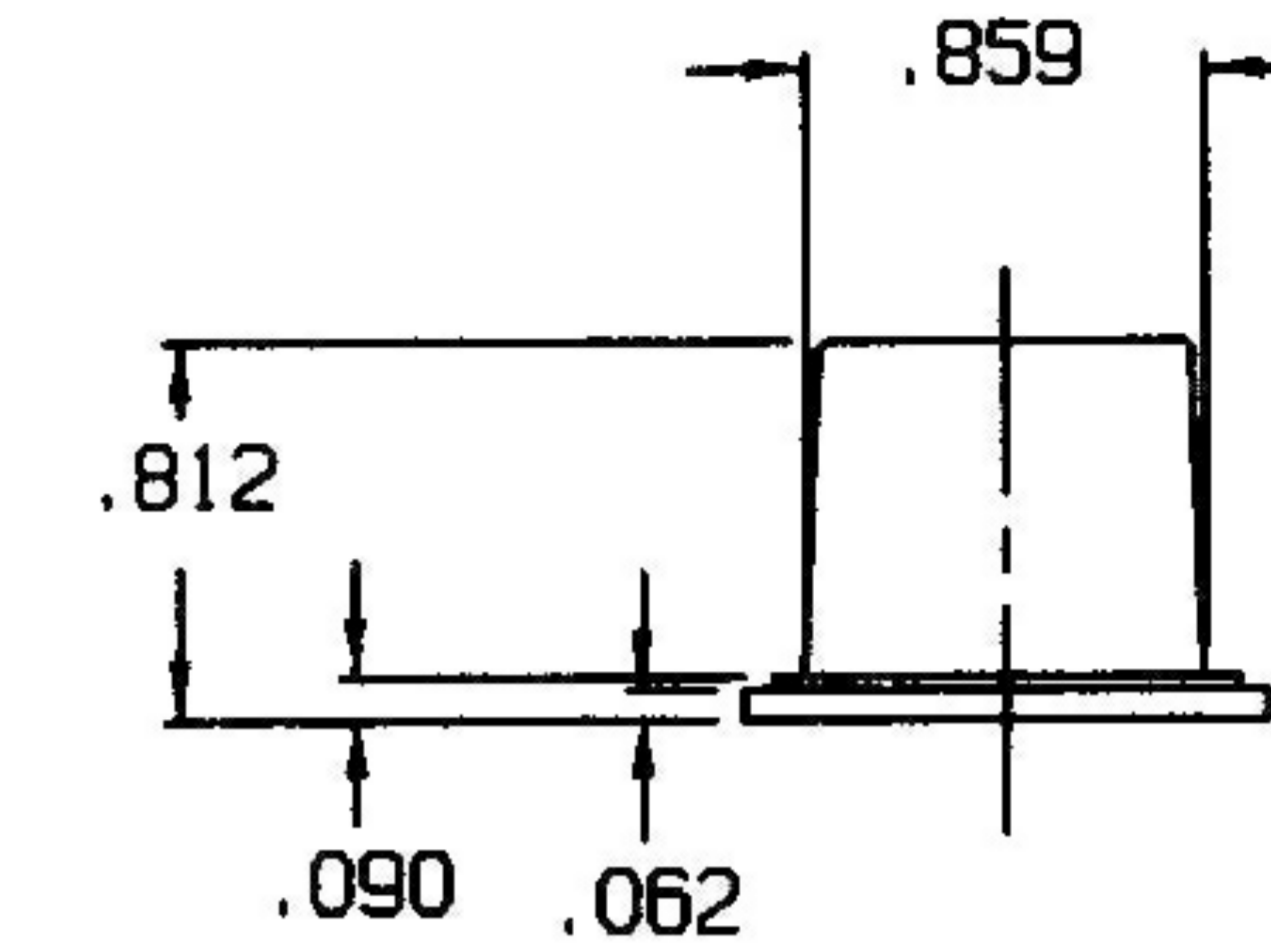
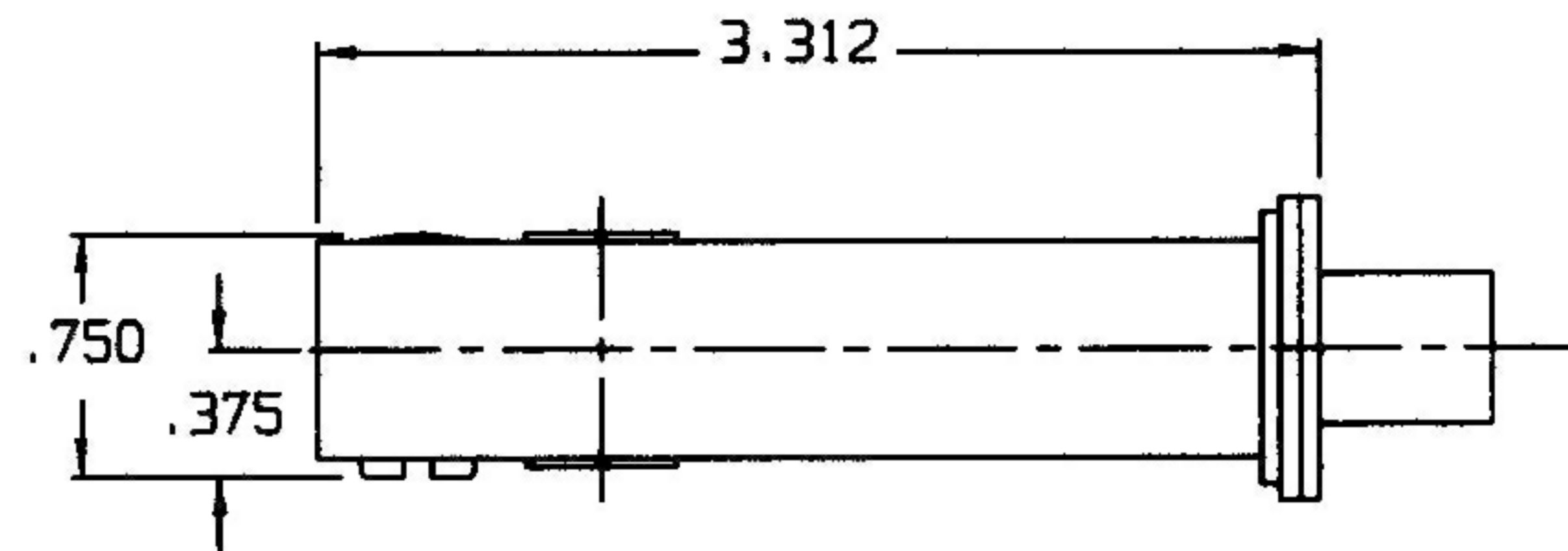
NO. 6 OH. SL. W/S X .500 LG. (2-REQ'D) ONE SIDE ONLY FOR TURNPIECE TRIM.

3.375 DEEP

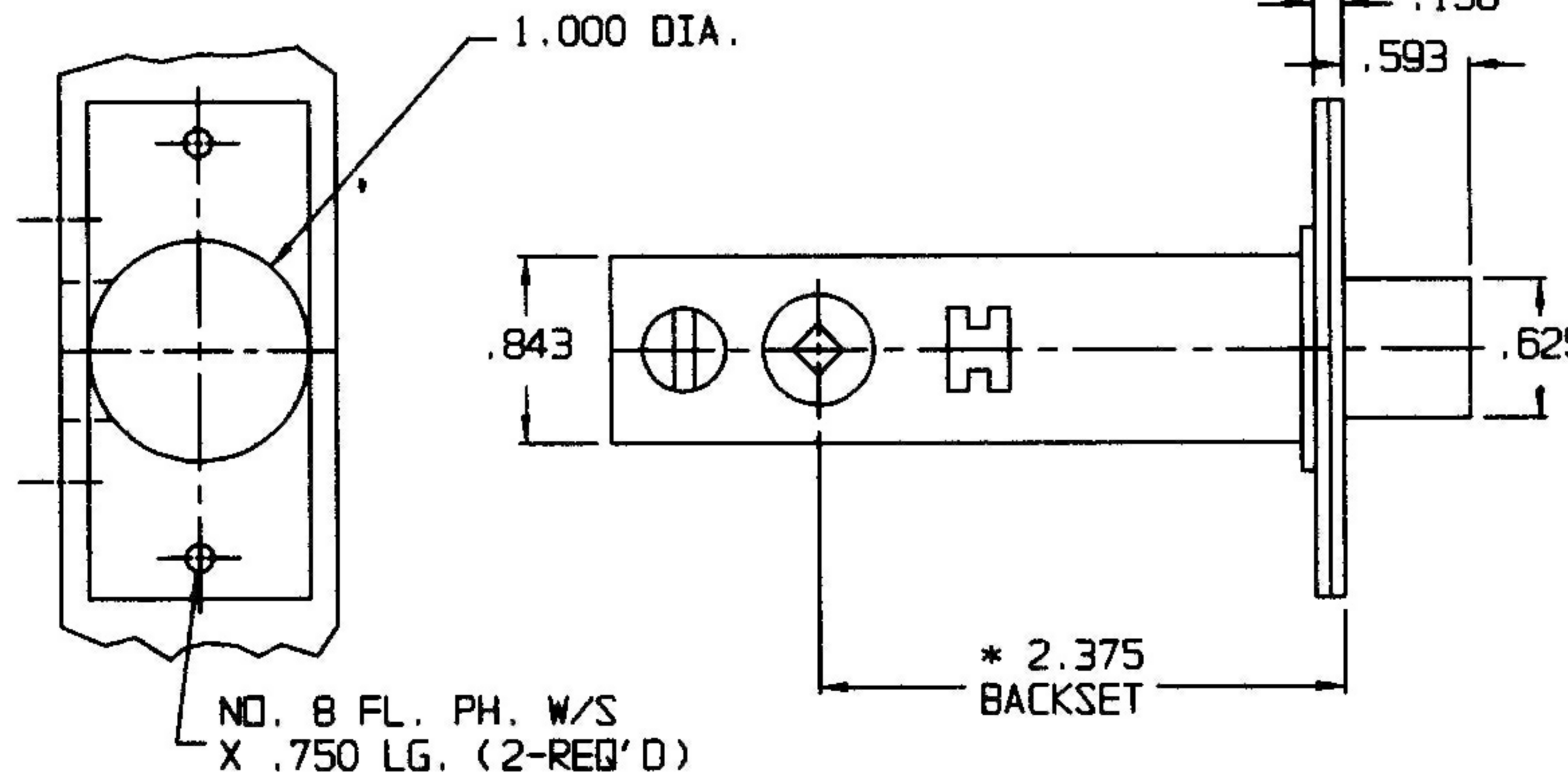
IMPORTANT NOTE:

IF EMERGENCY TRIM IS USED, THE TURN PIECE SPINDLE MUST BE CUT TO EXTEND NO FURTHER THAN HALFWAY THRU THE BOLT. REFER TO SPECIFIC EMERGENCY RELEASE TRIM TEMPLATE FOR FURTHER DETAILS.

* NOTE:
IF INSTALLING ON A BEVELED DOOR BE CERTAIN TO MEASURE 2.375 BACKSET FROM THE CENTER OF THE BEVEL.

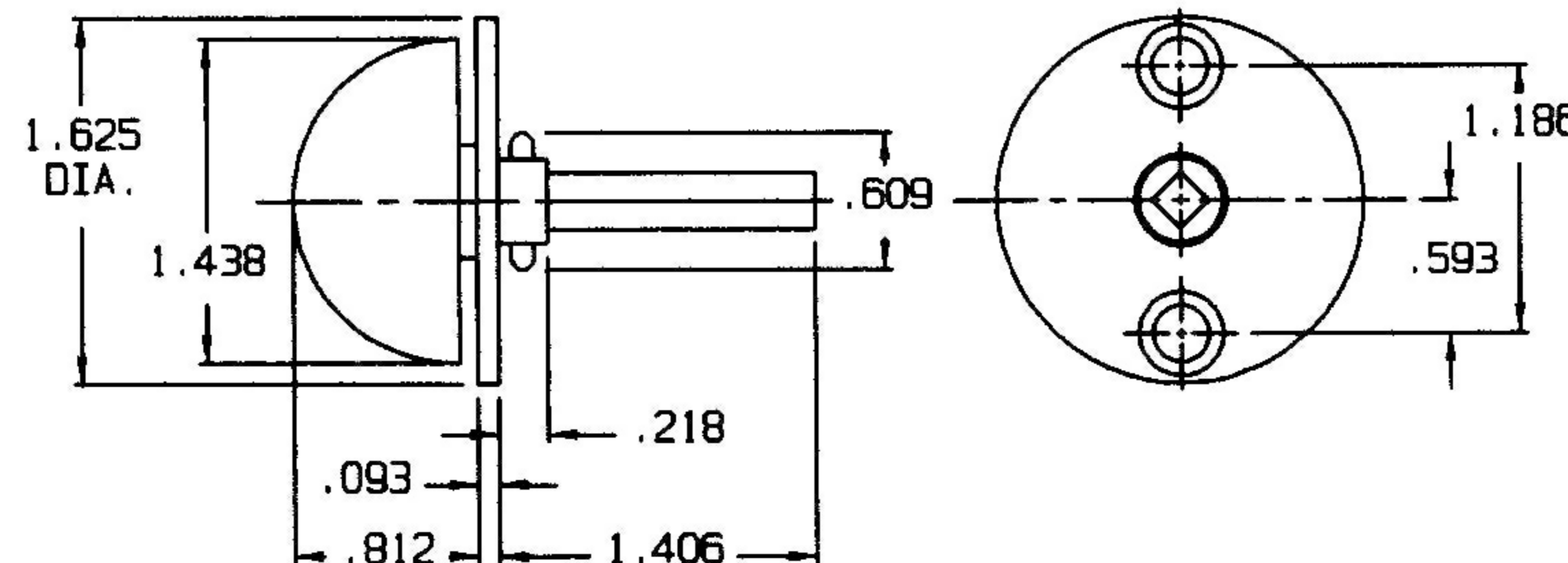
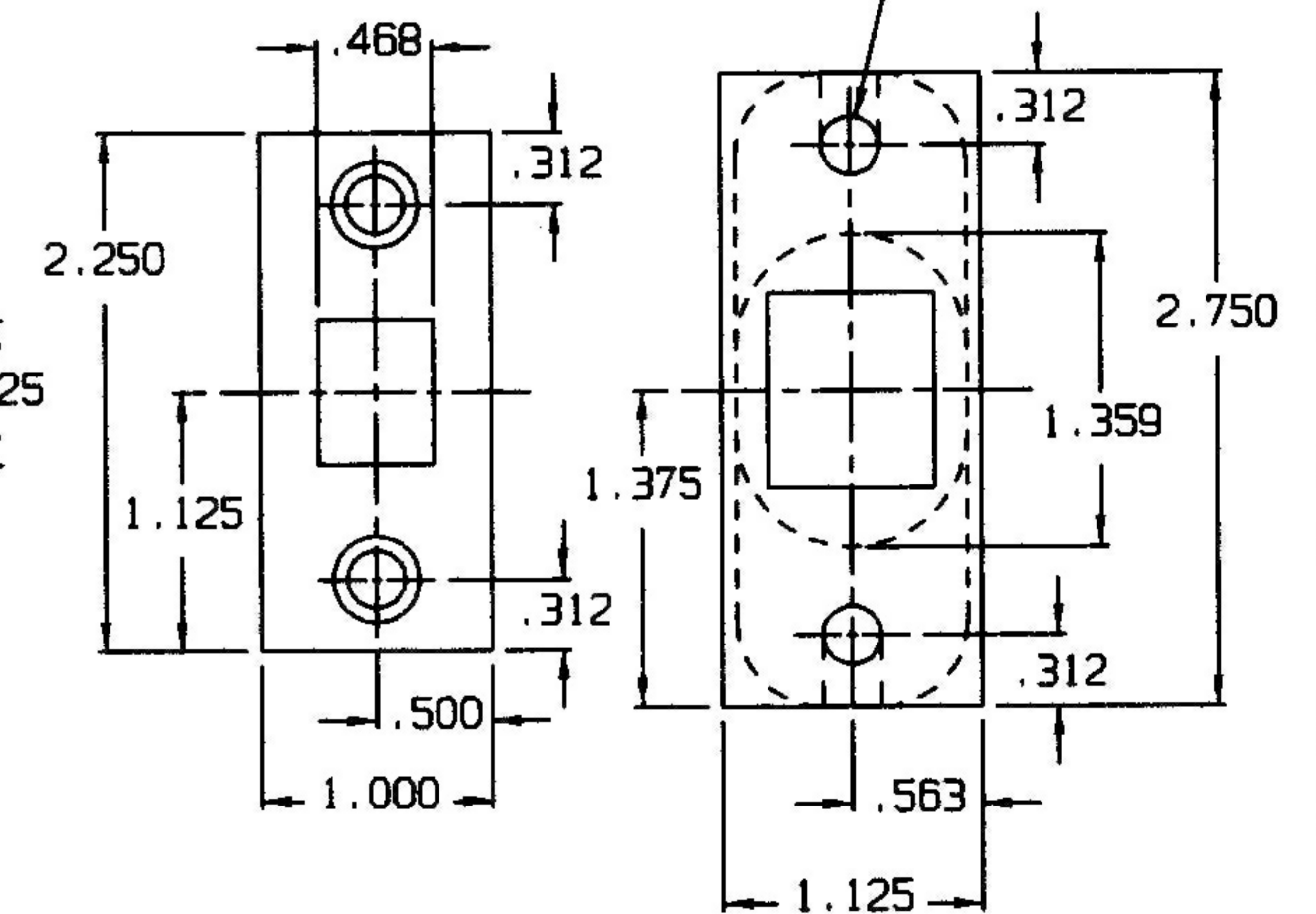


NO. 8 FL. PH. W/S X .750 LG. (2-REQ'D)



NO. 8 FL. PH. W/S X .750 LG. (2-REQ'D)

* 2.375 BACKSET



DO NOT SCALE DRAWING

BALDWIN HARDWARE CORPORATION

0418 MORTISE BOLT

TEMPLATE NO. VARIATIONS

TEMPLATE NO.

© 1988 BY BALDWIN HARDWARE CORPORATION

A176 B

EFFECTIVE: 2-3-97