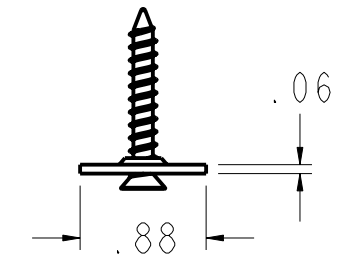
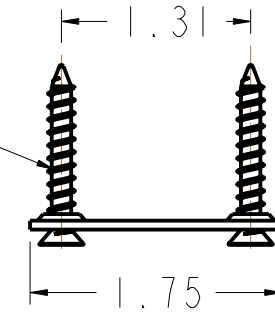
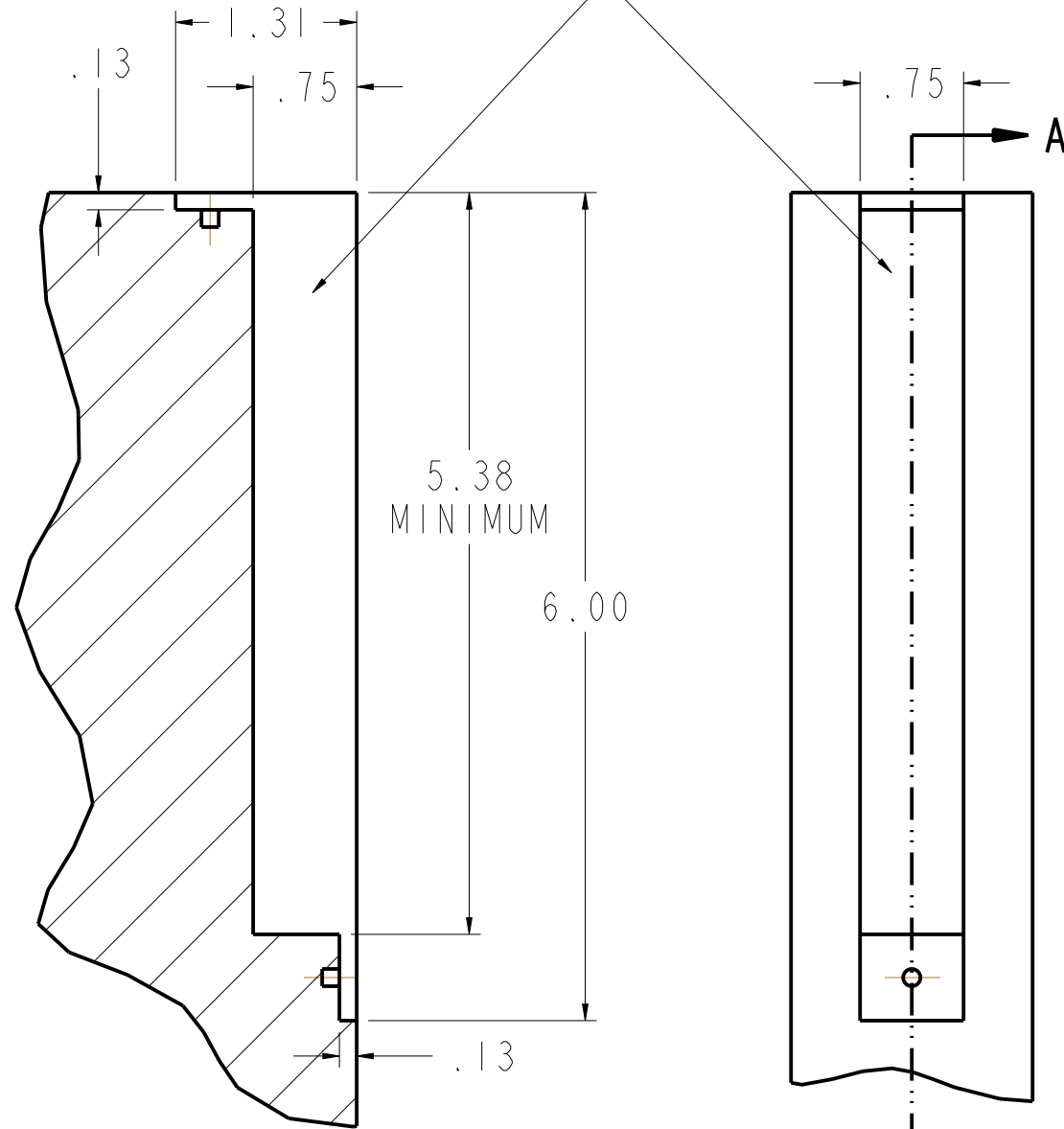


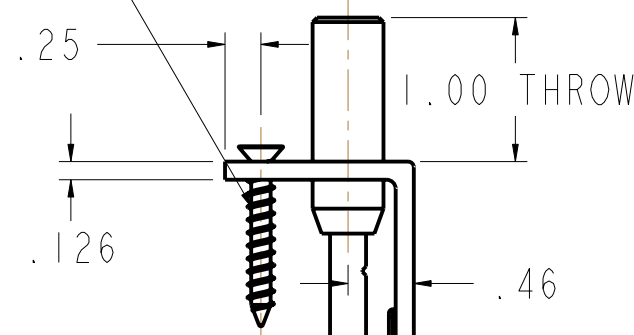
NO. 6 X .75"
FL PH SCREW



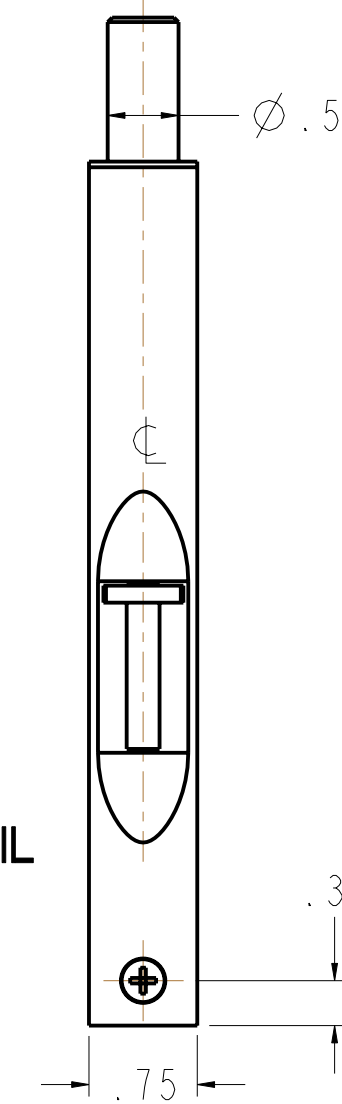
REMOVE MATERIAL



DOOR DETAIL



BOLT DETAIL



NO. 6 X .75"
FL PH SCREW

DO NOT SCALE DRAWING

EFFECTIVE: 10/25/2007

BALDWIN HARDWARE CORPORATION
READING, PENNSYLVANIA

BLACK & DECKER COMPANY

0626 FLUSH BOLT

TEMPLATE: NO VARIATIONS

TEMPLATE NO.

©2006 BY BALDWIN HARDWARE CORPORATION

A626