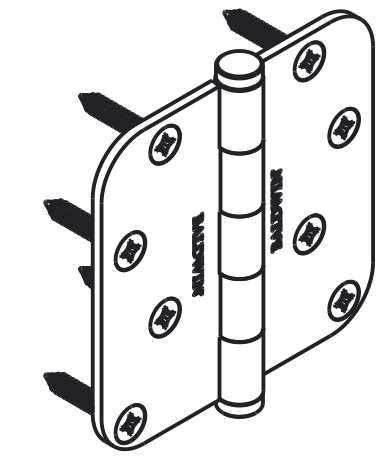
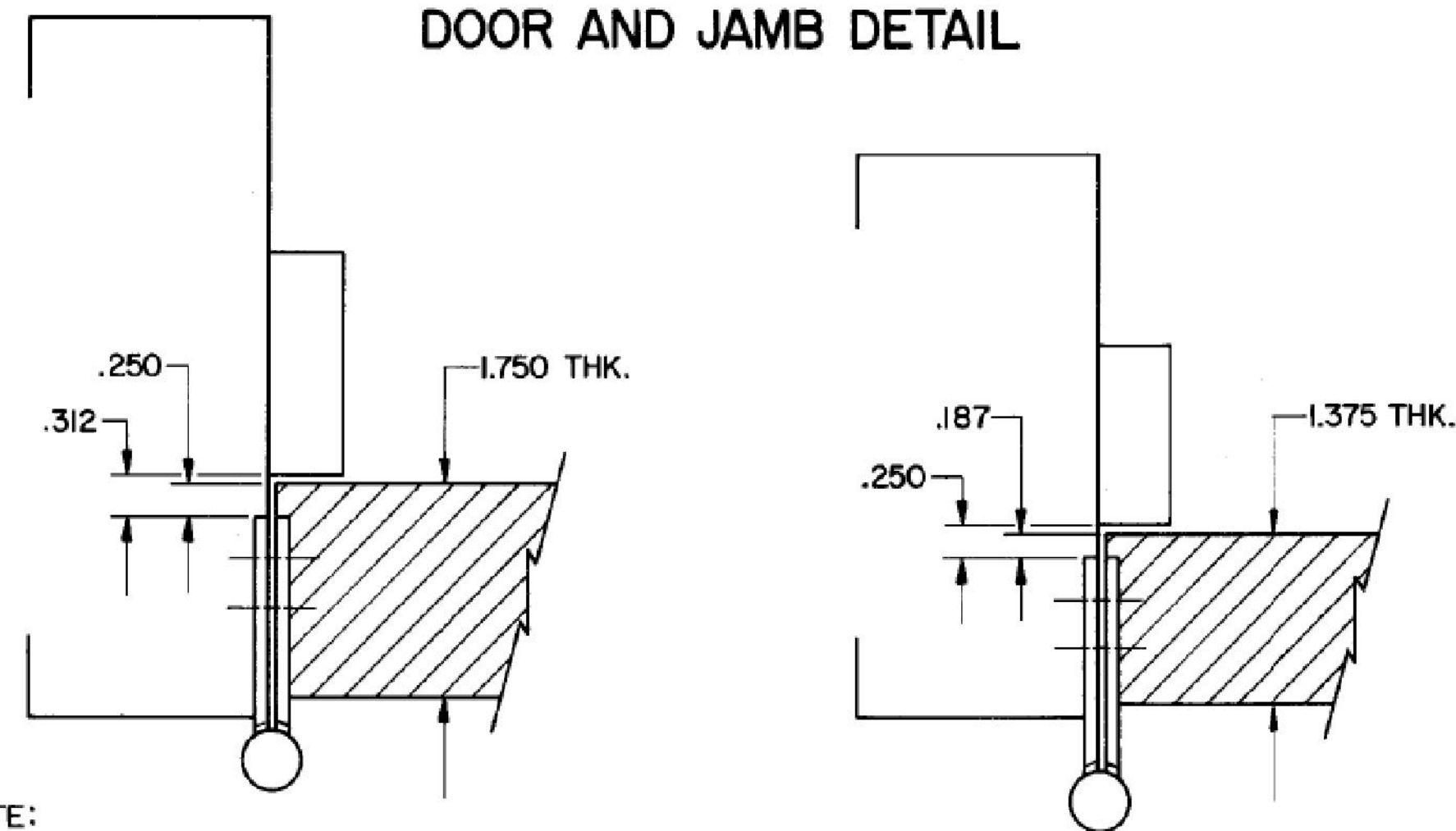


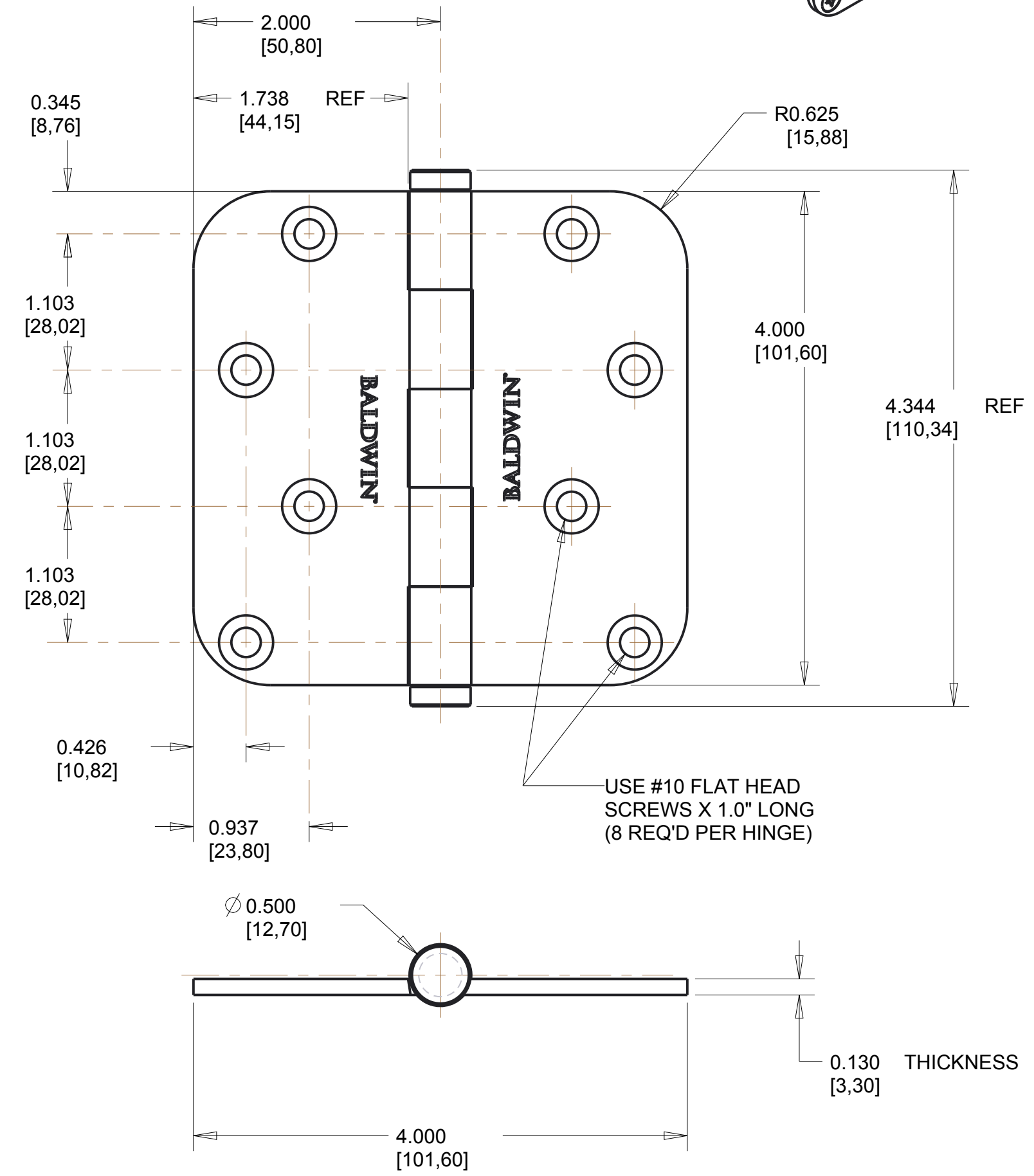
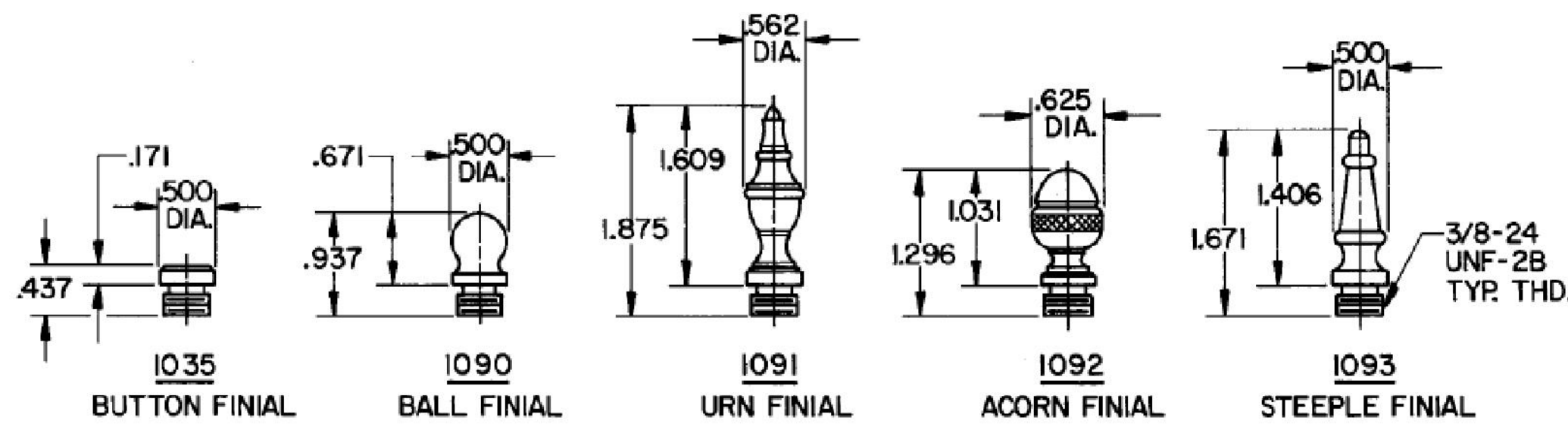
REV	DESCRIPTION
2	RELEASED 12/2017



DOOR AND JAMB DETAIL



- NOTE:**
- 1.) AVAILABLE WITH ANY OF THE DECORATIVE FINIALS SHOWN.
 - 2.) ALL FINIALS ARE INTERCHANGEABLE AND THREAD INTO THE TOP AND BOTTOM OF THE HINGE BARRELS.
 - 3.) STAINLESS STEEL HINGE PINS ARE REMOVABLE TO FACILITATE INSTALLATION.
 - 4.) USE WITH DOOR THICKNESS OTHER THAN SHOWN MAY AFFECT INSTALLATION DIMENSIONS.



USE #10 FLAT HEAD SCREWS X 1.0" LONG (8 REQ'D PER HINGE)

TITLE
1240 4" 5/8"R CNR ESTATE HINGE

BALDWIN
Spectrum Brands Hardware & Home Improvement

THIS DOCUMENT IS THE PROPERTY OF SPECTRUM BRANDS, INC AND/OR ITS AFFILIATES. THE CONTENTS OF THIS DOCUMENT ARE CONFIDENTIAL AND CONSTITUTE TRADE SECRETS PROPRIETARY TO SPECTRUM BRANDS. NEITHER THIS DOCUMENT NOR ITS CONTENTS SHALL BE DISCLOSED TO ANY UNAUTHORIZED PERSON, COPIED, OR PUBLISHED WITHOUT SPECTRUM BRANDS' PRIOR WRITTEN CONSENT.

SIZE C	DO NOT SCALE DRAWING	DWG NO B240	REV 2	ITER 3
RELEASE STATE	SCALE NONE	1240.XXX.I	SHEET	1 OF 1