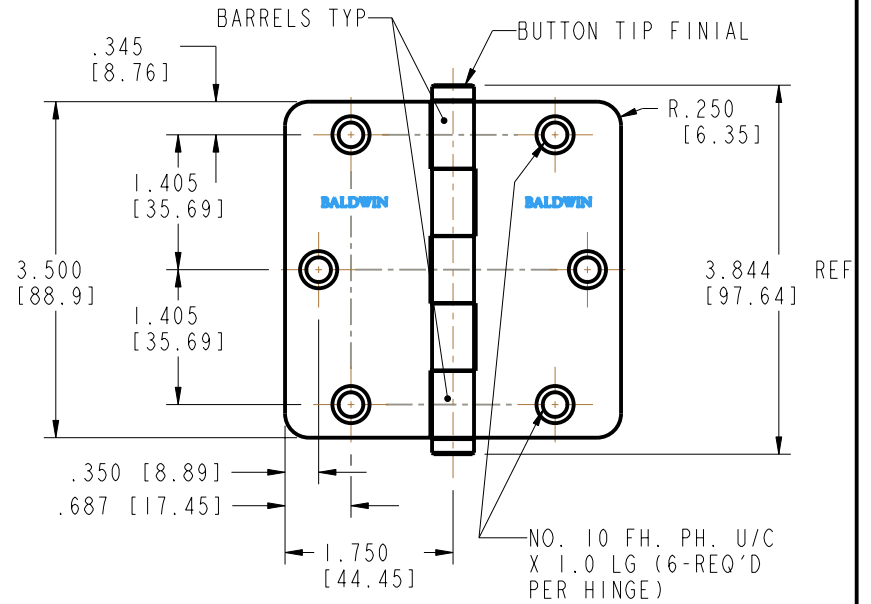
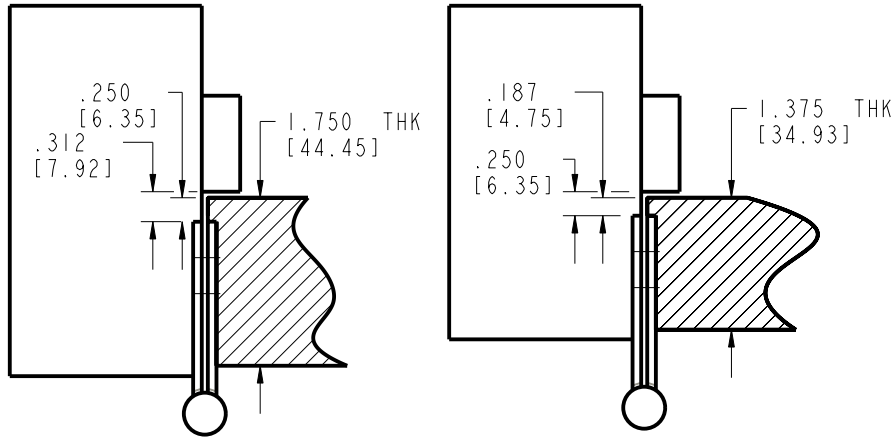
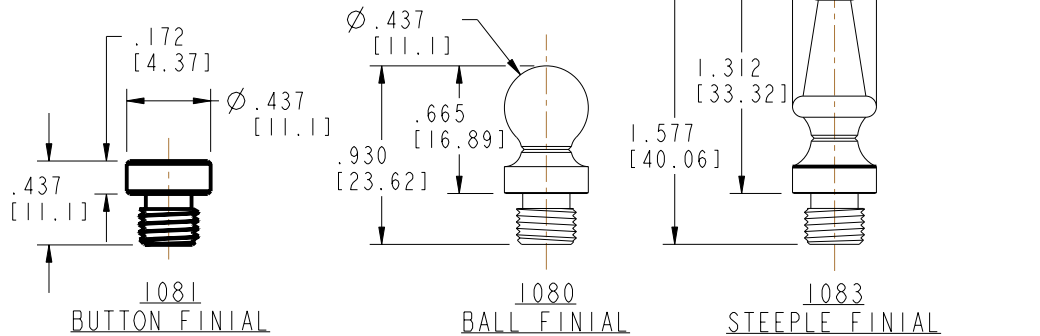
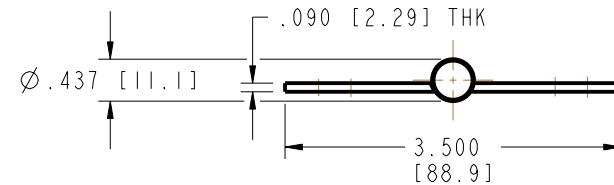


# DOOR AND JAMB DETAIL



- NOTES:
1. AVAILABLE WITH ANY OF THE DECORATIVE FINIALS SHOWN.
  2. ALL FINIALS ARE INTERCHANGEABLE AND THREAD INTO THE TOP AND BOTTOM OF THE HINGE BARRELS.
  3. STAINLESS STEEL HINGE PINS ARE REMOVABLE TO FACILITATE INSTALLATION.



EFFECTIVE -



**BALDWIN**  
HARDWARE CORPORATION  
READING, PENNSYLVANIA

**1435 MORTISE HINGE**

TEMPLATE: NO VARIATIONS

TEMPLATE NO.

DO NOT SCALE DRAWING

©2002 BY BALDWIN HARDWARE CORPORATION

**B435**