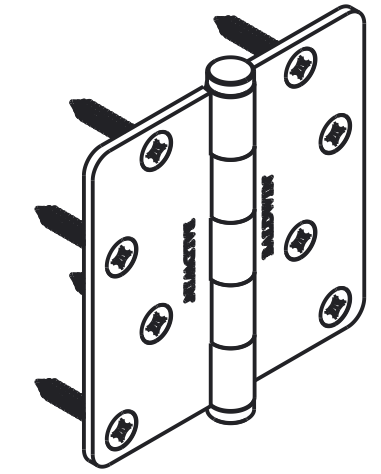
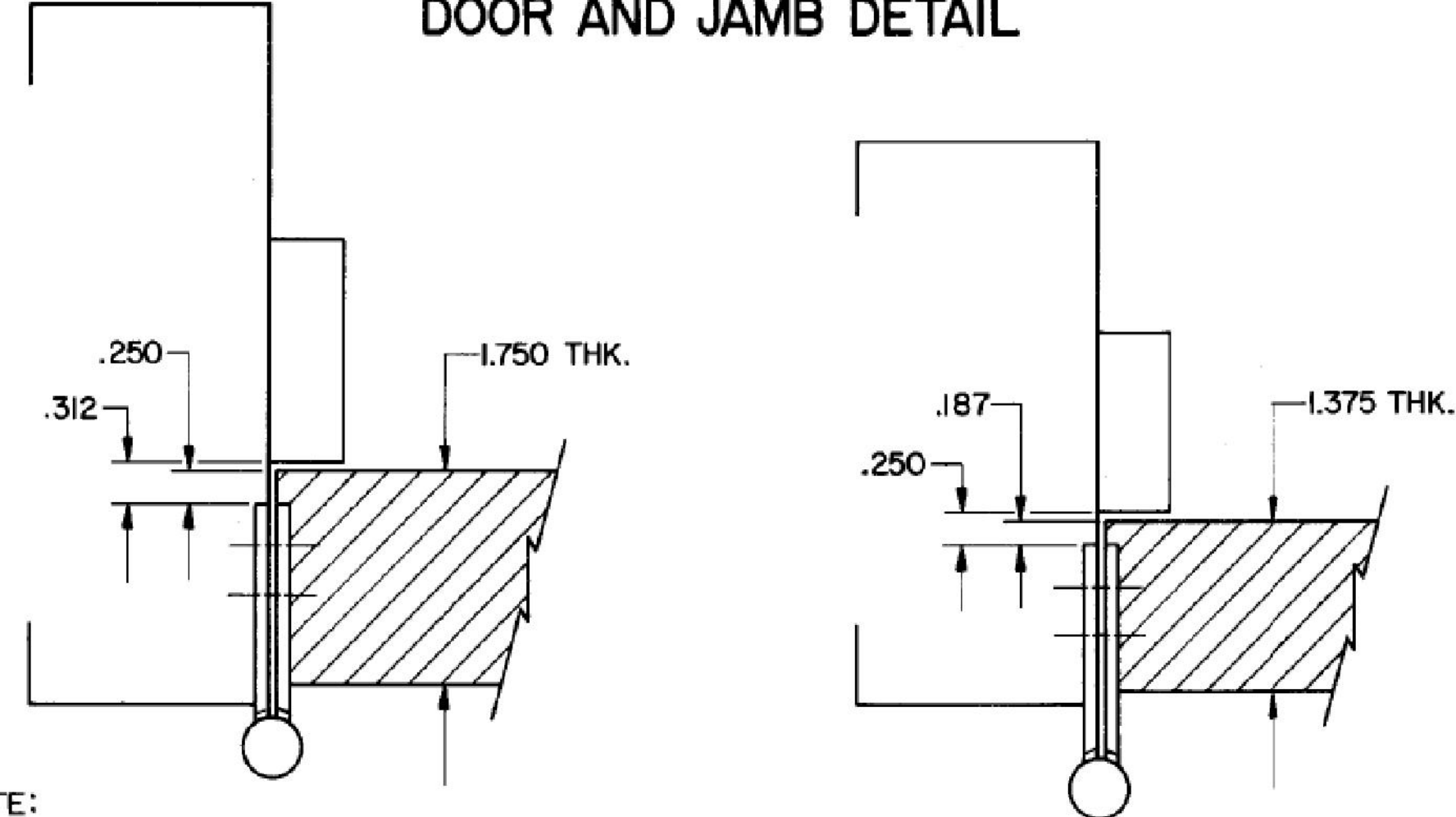


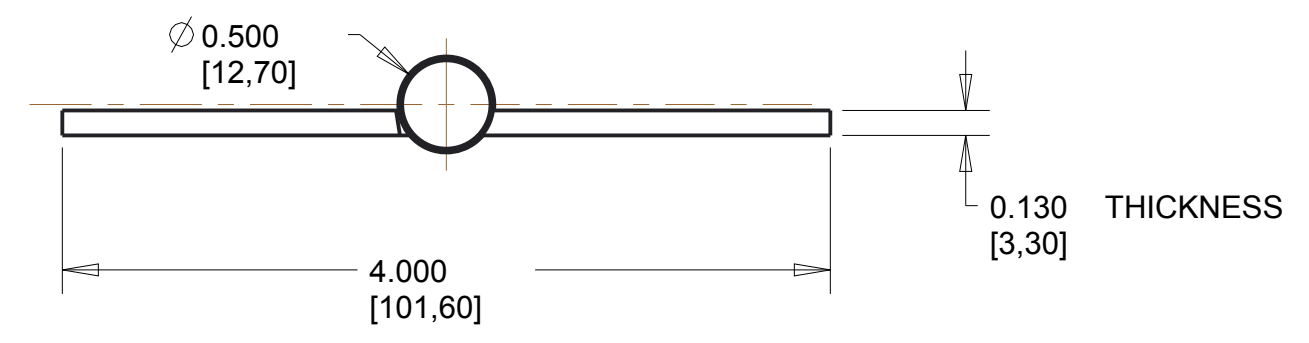
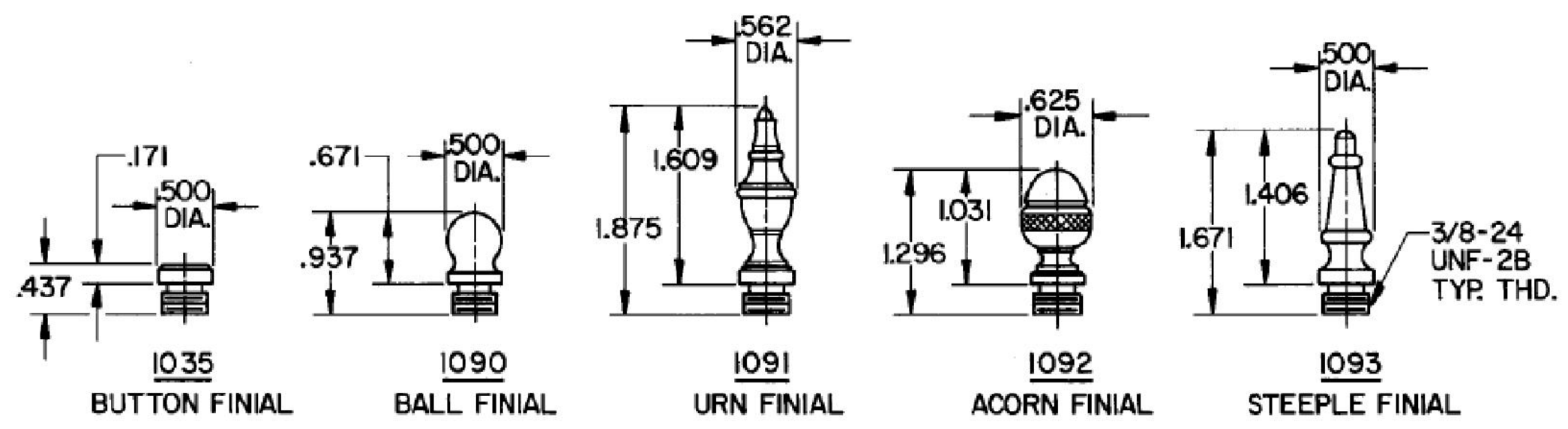
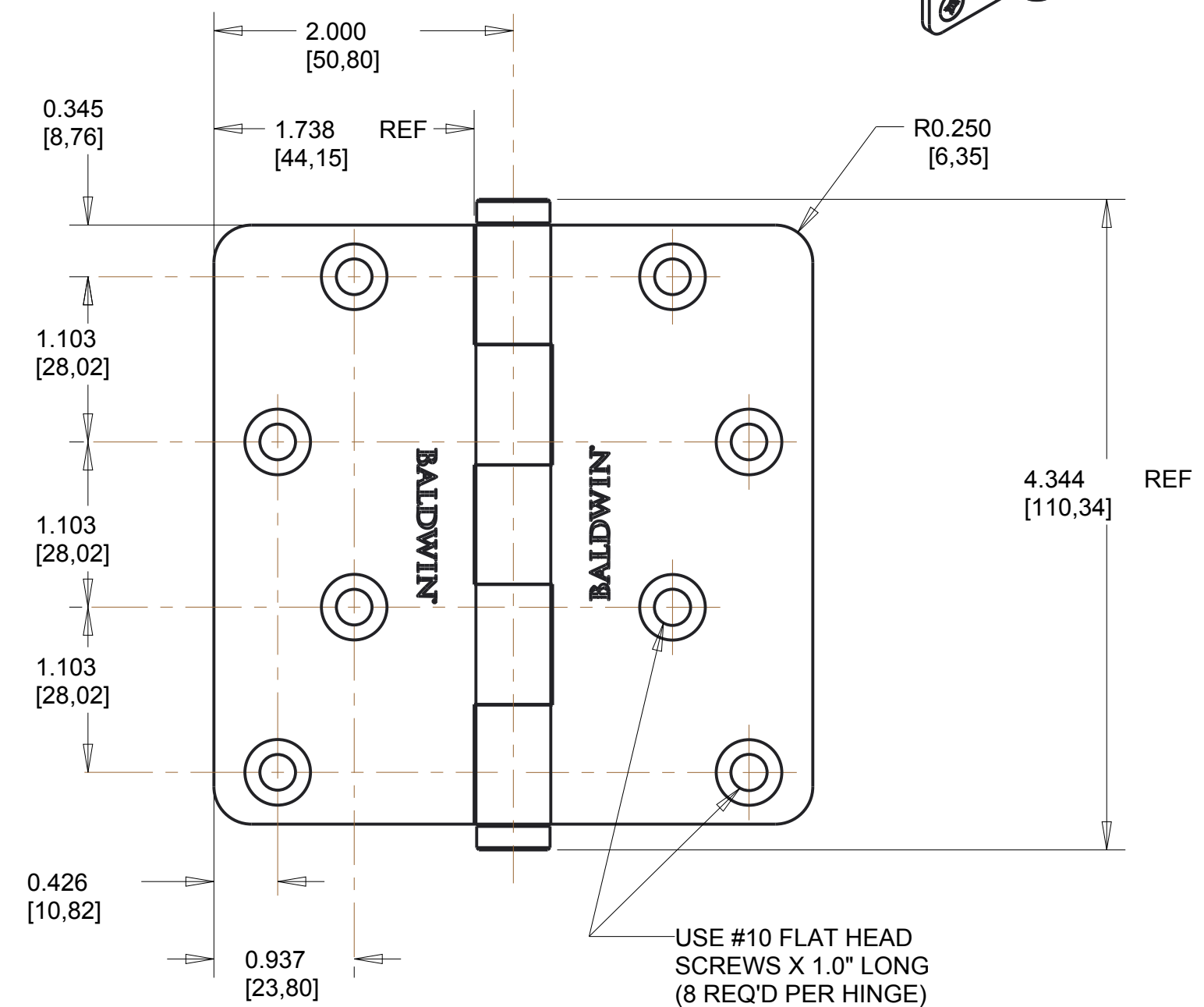
REV	DESCRIPTION
2	RELEASED 12/2017



**DOOR AND JAMB DETAIL**



- NOTE:**
- 1.) AVAILABLE WITH ANY OF THE DECORATIVE FINIALS SHOWN.
  - 2.) ALL FINIALS ARE INTERCHANGEABLE AND THREAD INTO THE TOP AND BOTTOM OF THE HINGE BARRELS.
  - 3.) STAINLESS STEEL HINGE PINS ARE REMOVABLE TO FACILITATE INSTALLATION.
  - 4.) USE WITH DOOR THICKNESS OTHER THAN SHOWN MAY AFFECT INSTALLATION DIMENSIONS.



TITLE		1540 4" 1/4"R CNR ESTATE HINGE	
SIZE	DO NOT SCALE DRAWING	DWG NO	B540
RELEASE STATE		REV	ITER
		2	5
SCALE	NONE	SHEET	1 OF 1

**BALDWIN**  
Spectrum Brands Hardware & Home Improvement

THIS DOCUMENT IS THE PROPERTY OF SPECTRUM BRANDS, INC. AND/OR ITS AFFILIATES. THE CONTENTS OF THIS DOCUMENT ARE CONFIDENTIAL AND CONSTITUTE TRADE SECRETS PROPRIETARY TO SPECTRUM BRANDS. NEITHER THIS DOCUMENT NOR ITS CONTENTS SHALL BE DISCLOSED TO ANY UNAUTHORIZED PERSON, COPIED, OR PUBLISHED WITHOUT SPECTRUM BRANDS' PRIOR WRITTEN CONSENT.