

BALDWIN®

COMMERCIAL LOCK



TECHNICAL SPECIFICATIONS
AND PRICE LIST

JULY 2011



ENVIRONMENTAL STEWARDSHIP — AND — SOCIAL RESPONSIBILITY

AT BALDWIN HARDWARE CORPORATION, we have made environmental responsibility a key consideration throughout our organization. We are committed to reducing the impact of our business on the environment by placing a priority on environmental, health, and safety standards in operations, and considering environmental factors in product and process design, and manufacturing methods.

Our manufacturing facility in Reading, PA produces product using raw material containing primarily recovered metals*. Product from our other manufacturing sources contains a similarly high level of recycled content. Baldwin recycles 100% of all brass scrap generated here in Reading, and also recycles 100% of all hazardous materials generated. Our electroplating lines utilize state of the art equipment to minimize raw material usage, and minimize waste generation. Water conservation practices result in a nearly 40% reduction in water usage with the attendant reduction in the treatment of rinse waters and generation of treatment by-products.

Baldwin luxury home hardware products can support the following aspects of green building:

LEED MR Credit 4.1: Recycled Content: 10% (post-consumer + 1/2 pre-consumer)

LEED MR Credit 4.1: Recycled Content: 20% (post-consumer + 1/2 pre-consumer)

NAHB Model Green Home Building Guidelines 2.4: Use Recycled Content Materials

Baldwin is a contributor to the U.S. Environmental Protection Agency's (EPA) National Partnership for Environmental Priorities, and was recognized by the Pennsylvania State Senate as "...a model which other businesses would do well to emulate. Berks County can certainly point with pride to this corporation that has dedicated itself to a pollution prevention/waste minimization program in order to improve our environment for future generations."

We are committed to responsible stewardship of the resources used in the production of our products, and constantly strive to reduce the environmental impact of our products, our facilities and our processes. For over sixty years, Baldwin has been the luxury hardware choice for quality living—our continually improving environmental responsibility helps ensure the same quality of life for future generations.

*Recovered material content varies by product line but generally exceeds 95%.

BALDWIN®

BALDWIN COMMERCIAL

Unless otherwise commincated, all products in this category will ship from the Baldwin distribution center within 6 weeks from date of order entry.

FREIGHT AND EXPEDITED FREIGHT:

Orders over \$1000 receive freight prepaid by Baldwin. Baldwin will utilize standard ground transportation unless otherwise indicated. In addition to ground freight, Baldwin offers 3 types of expedited freight at the customer's cost; next day, two day & 3 day. To request expedited freight, please indicate which of the 3 options you prefer. On orders under \$1000 and orders that request expedited freight, the cost of shipping will appear on your invoice.

MINIMUM ORDER SIZE:

Due to cost of order processing and fulfillment the minimum dollar amount for an order placed directly with Baldwin Customer Service is \$250. For orders less than \$250 net customers may either place the order through Baldwin Express, increase the size of the order to at least \$250, or purchase the items through Baldwin's wholesale distribution partners.

THE WORLD'S MOST EXTENSIVE SU

Table of Contents

3	Introduction	18-31	A La Carte
4	Specifications	18	How To Quote
5-16	Complete Sets	20	Levers
7	Wilmington	25	Roses
8	Detroit	26	Escutcheons (Entrance & Passage)
9	Atlanta	28	Escutcheons (Entrance & Privacy)
10	Houston	30	Cylinder Collars
11	Lakeshore	30	Emergency Release Trim
12	Republic	31	Turn Pieces
13	Bristol	32	Mortise Specifications
14	Stanford	34	Order Form
15	Boulder	37	Finishes
16	Fenwick		
17	Westminster		

ITE OF

LUXURY COMMERCIAL HARDWARE.

BALDWIN, THE “FOUNDER OF LUXURY HARDWARE IN AMERICA,” is widely recognized for a comprehensive breadth of line and legacy of superior craftsmanship — having been awarded “Best Quality” thirteen years running by *Builder* magazine’s *Brand Use Study*.

With more than sixty years as the leader of upscale residential hardware, Baldwin now offers a Grade 1 solution for your commercial application.

- > ANSI/BHMA A156.13 OPERATIONAL & SECURITY GRADE 1-RATED MORTISE SET
- > THROUGH-BOLTED ESCUTCHEONS & ROSES
- > 11 ESCUTCHEON TRIMS (ESCUTCHEON TRIMS, ROSES & LEVERS RANGING IN STYLE FROM TRADITIONAL TO CONTEMPORARY)
- > OVER 20 BALDWIN FINISHES



-
- > ANSI/BHMA A156.13 Operational & Security Grade 1-Rated Mortise Set
 - > Accessibility Code (ADA) A117.1 for all levers
 - > Certified by Underwriters Laboratories (UL) for use on fire doors up to three-hour rating
 - > UL10C / UBC 7-2 (1997) Positive Pressure Rated, UL10B Pressure Rated
 - > California State Reference Code (formerly Title 19 – Fire Marshall).
-

Mortise Box Specification:

Lock Case:	Heavy Gauge Steel
Backset:	2 ½" and 2 ¾"
Dead bolt:	Brass – with Hardened Steel Inserts 1" Throw
Latch bolt:	Brass/Stainless – Anti Friction Type ¾" Throw
Armor Front:	1 ¼" x 8" Wrought brass, bronze, stainless steel
Strikes:	Flat standard, curved and long lip strikes available
UL:	UL- 3 hour Fire Rate
Other:	3.625" lever hub to cylinder center spacing
NOTE:	Designed with 8mm on the square broached levers to meet ANSI/BHMA A156.13 test standards
Power Pack:	Internal power pack prevents lever sag and provides quality feel

ESCUTCHEON SET



INCLUDES:

- > Inside & Outside Assemblies,
2 Levers & 2 Through-bolts Escutcheons
- > Turn Knob
- > Mortise Box (not shown)
- > Cylinder (optional)

SECTIONAL SET

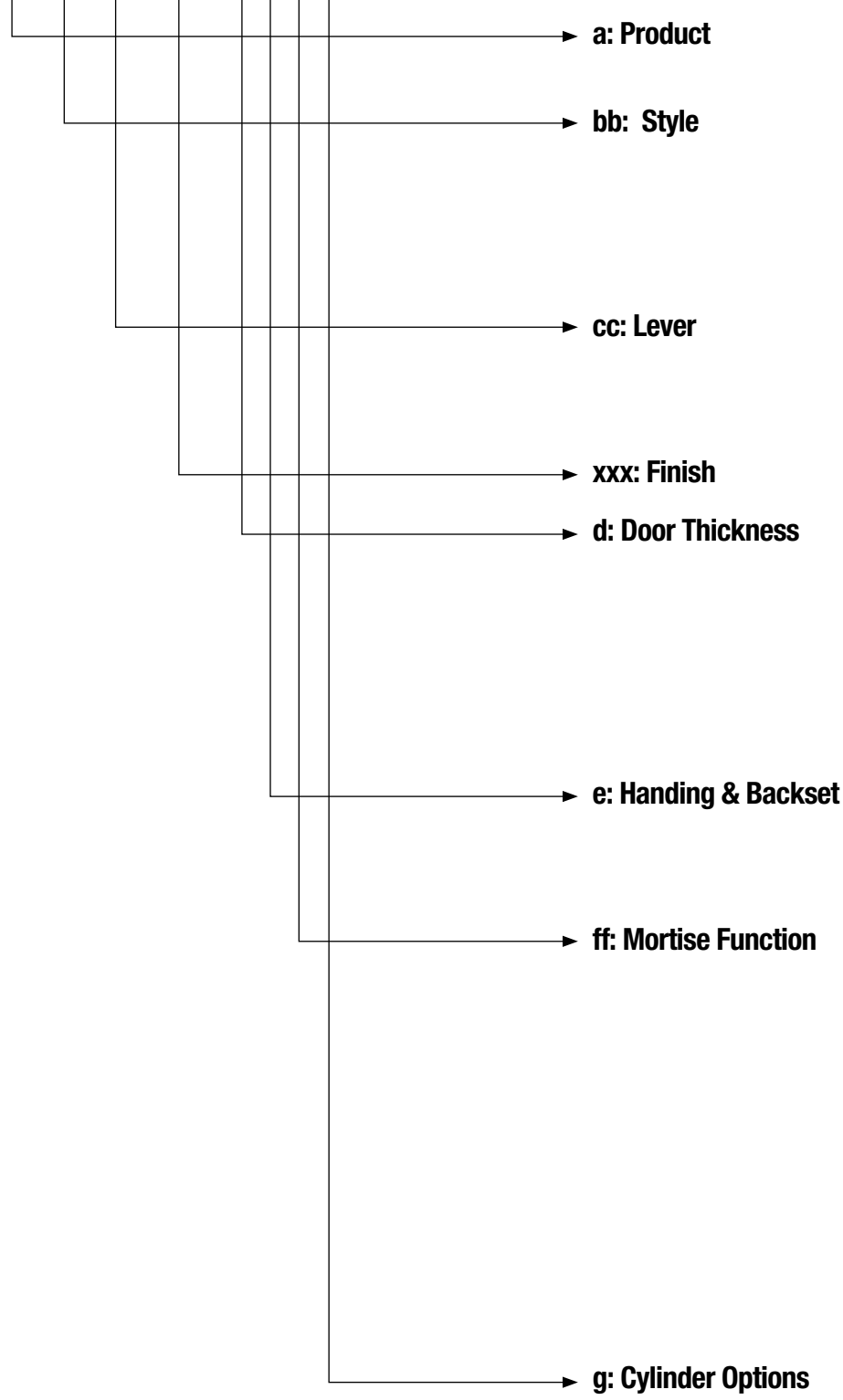


INCLUDES:

- > Inside & Outside Assemblies,
2 Levers & 2 Through-bolts Roses
- > Mortise Box (not shown)
- > Cylinder Collar
- > Turn Piece
- > ER Trim (privacy function only)
- > Cylinder (optional)

Baldwin Grade 1 Mortise Set Complete Product # Explanation:

a bb cc .xxx.d e ffg



E - Escutcheon Set
S - Sectional Set

AT: Atlanta LA: Lakeshore
BO: Boulder RE: Republic
BR: Bristol ST: Stanford
DE: Detroit W: Westminster
FE: Fenwick WI: Wilmington
HO: Houston

01: Standard Lever Historically Sold With Style
02: Lever Return recommend
For alternate levers, see lever section and insert 2 digit code found below 'SOLID BRASS'

All Estate Finishes

1 = 1.75" door thickness
2 = 2.00" door thickness
3 = 2.25" door thickness
4 = 2.50" door thickness
5 = 2.75" door thickness
6 = 3.00" door thickness
7 = 3.25" door thickness
8 = 3.50" door thickness

<u>2.75" Backset</u>	<u>2.50" Backset</u>
1 for RLS	5 for RLS
2 for RRLS	6 for RRLS
3 for LLS	7 for LLS
4 for LRLS	8 for LRLS

01 Passage or Closet Function
04 Classroom, Entrance or Office Function
05 Classroom Function
07 Storeroom or Closet Function
09 Entrance or Public Restroom Function
12 Entrance or Apartment Function
14 Storeroom Function
15 Hotel or Motel Function
16 Key x Key Deadlock
17 Key x Turn Deadlock
18 Single Key Deadlock
19 Privacy, Bedroom or Bathroom Function
20 Entrance or Apartment Function
21 Dormitory, Entrance or Storeroom Function

Y - Baldwin Cylinder
N - No Baldwin Cylinder
M - Baldwin Cylinder with Keying Requirements

COMPLETE SETS – WILMINGTON

SETS INCLUDE:

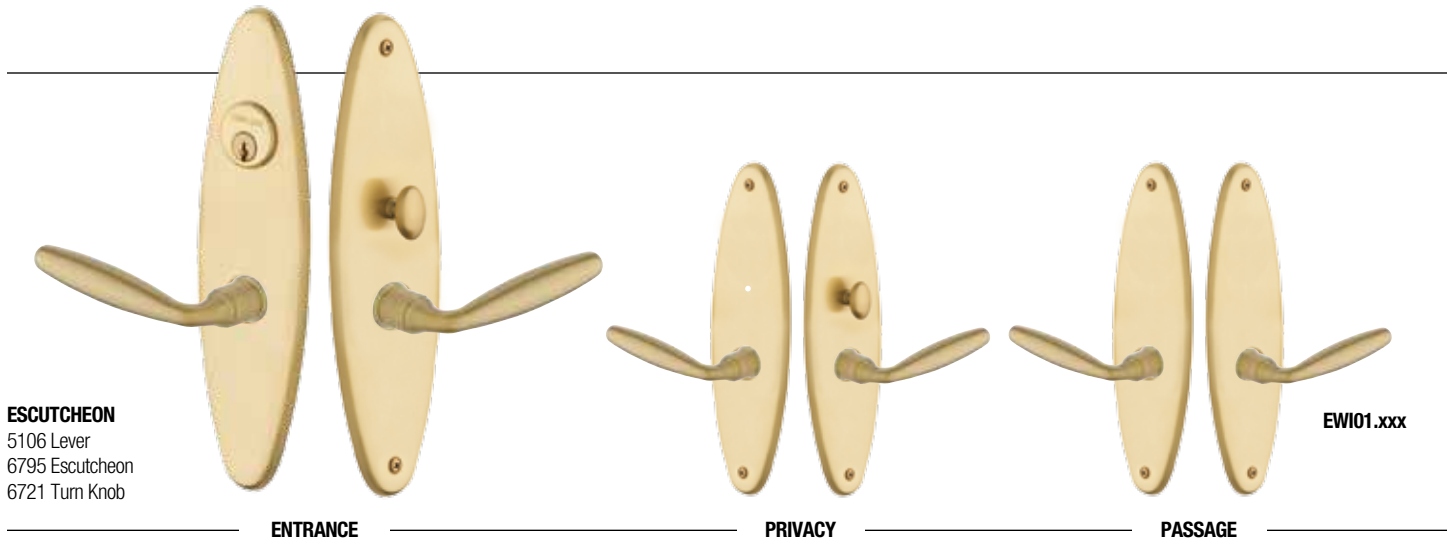
- Outside plate with lever assembly
- Inside plate with lever assembly
- Mortise lock
- Cylinder assembly (optional)

Item #	Description	Tier 1	Tier 2	Minus Cylinder Tier 1	Minus Cylinder Tier 2
EWlcc.xxx	Escutcheon ENTRANCE	\$725	\$800	\$675	\$745
EWlcc.xxx	Escutcheon PRIVACY	725	800	-	-
EWlcc.xxx	Escutcheon PASSAGE	675	750	-	-
SWlcc.xxx	Sectional ENTRANCE	800	875	750	820
SWlcc.xxx	Sectional PRIVACY	700	775	-	-
SWlcc.xxx	Sectional PASSAGE	600	675	-	-

cc = Lever Choice, replace with desired lever '01', '02', or see Lever section

Tier 1 Finishes: 030, 031, 033, 034, 038*, 040, 050, 060, 102, 112, 150, 151, 190, 260, 264

Tier 2 Finishes: 003, 055, 056, 402, 412, 452

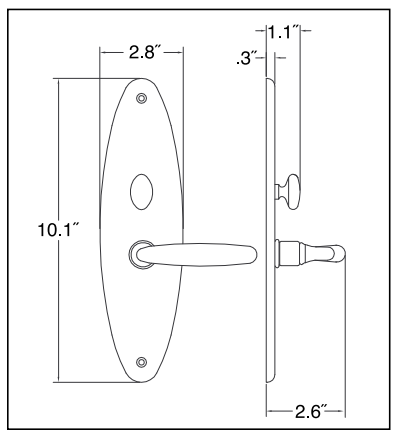


ESCUTCHEON

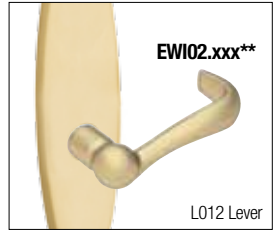
- 5106 Lever
- 6795 Escutcheon
- 6721 Turn Knob

SECTIONAL

- 5106 Lever
- 5017 Rose
- 6755 Cylinder Collar (Entrance)
- TP08 Turnpiece (Entrance & Privacy)
- 0403 ER Trim (Privacy)



Recommended return lever FOR ENTIRE SET:



*038 Finish will be discontinued December 2011.
 **L012 Lever will be discontinued December 2011 and replaced with L018.

COMPLETE SETS – DETROIT

SETS INCLUDE:

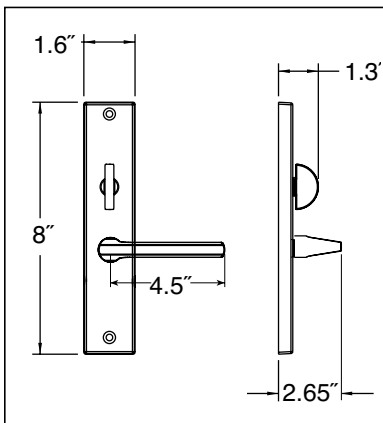
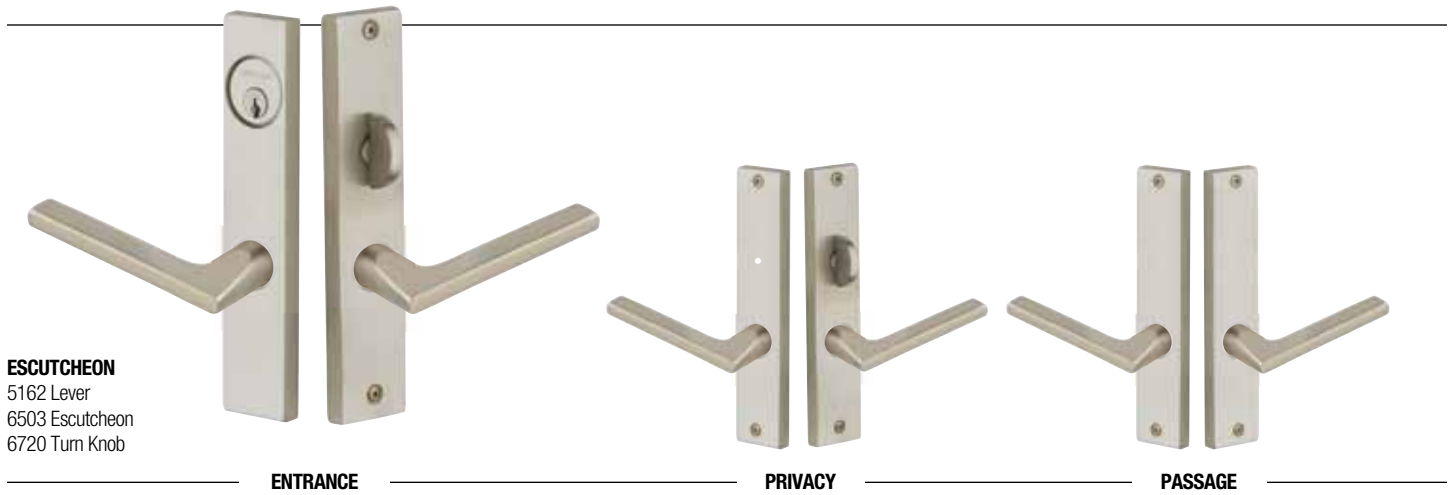
- Outside plate with lever assembly
- Inside plate with lever assembly
- Mortise lock
- Cylinder assembly (optional)

Item #	Description	Tier 1	Tier 2	Minus Cylinder Tier 1	Minus Cylinder Tier 2
EDEcc.xxx	Escutcheon ENTRANCE	\$725	\$800	\$675	\$745
EDEcc.xxx	Escutcheon PRIVACY	725	800	-	-
EDEcc.xxx	Escutcheon PASSAGE	675	750	-	-
SDEcc.xxx	Sectional ENTRANCE	800	875	750	820
SDEcc.xxx	Sectional PRIVACY	700	775	-	-
SDEcc.xxx	Sectional PASSAGE	600	675	-	-

cc = Lever Choice, replace with desired lever '01', '02', or see Lever section

Tier 1 Finishes: 030, 031, 033, 034, 038*, 040, 050, 060, 102, 112, 150, 151, 190, 260, 264

Tier 2 Finishes: 003, 055, 056, 402, 412, 452



RECOMMENDED RETURN LEVER FOR ENTIRE SET:



*038 Finish will be discontinued December 2011.
**L007 Lever will be discontinued December 2011 and replaced with L018.

COMPLETE SETS – ATLANTA

SETS INCLUDE:

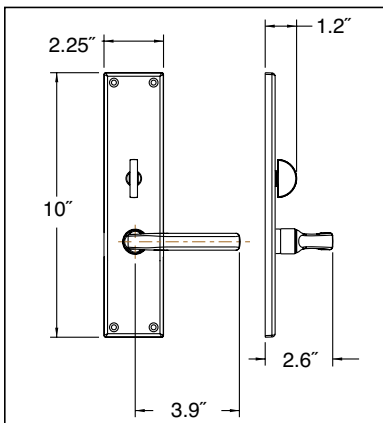
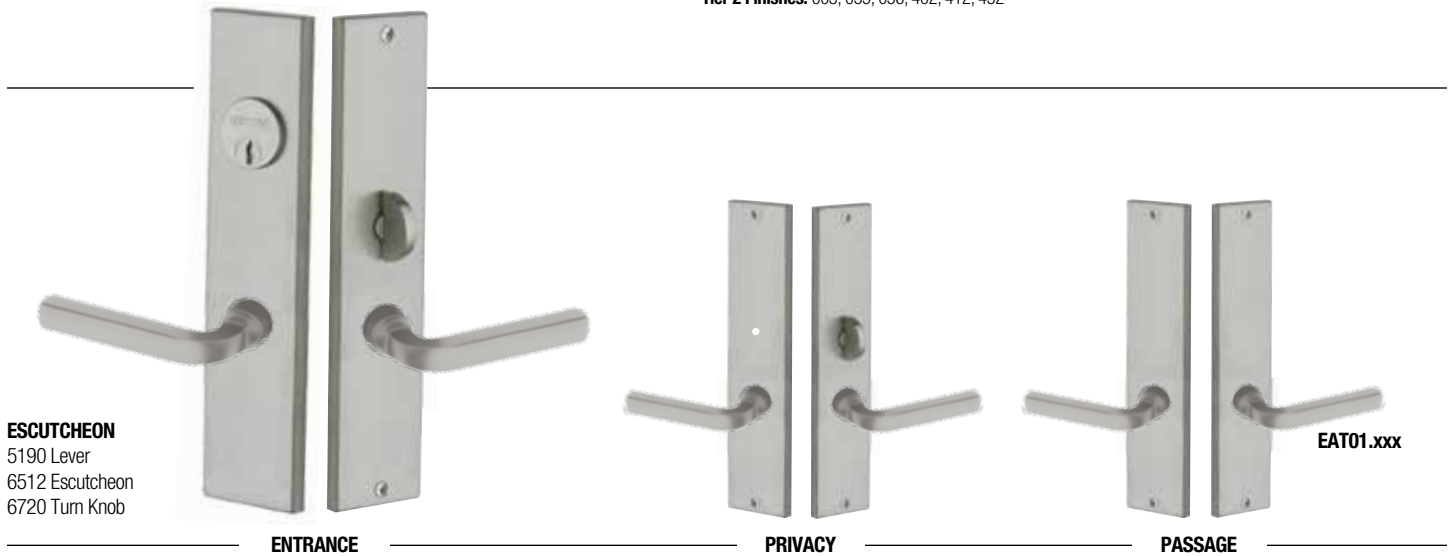
- Outside plate with lever assembly
- Inside plate with lever assembly
- Mortise lock
- Cylinder assembly (optional)

Item #	Description	Tier 1	Tier 2	Minus Cylinder Tier 1	Minus Cylinder Tier 2
EATcc.xxx	Escutcheon ENTRANCE	\$875	\$950	\$825	\$895
EATcc.xxx	Escutcheon PRIVACY	875	950	-	-
EATcc.xxx	Escutcheon PASSAGE	825	900	-	-
SATcc.xxx	Sectional ENTRANCE	800	875	750	820
SATcc.xxx	Sectional PRIVACY	700	775	-	-
SATcc.xxx	Sectional PASSAGE	600	675	-	-

cc = Lever Choice, replace with desired lever '01', '02', or see Lever section

Tier 1 Finishes: 030, 031, 033, 034, 038*, 040, 050, 060, 102, 112, 150, 151, 190, 260, 264

Tier 2 Finishes: 003, 055, 056, 402, 412, 452



RECOMMENDED RETURN LEVER FOR ENTIRE SET:



*038 Finish will be discontinued December 2011.
**L009 Lever will be discontinued December 2011 and replaced with L018.

COMPLETE SETS – HOUSTON

SETS INCLUDE:

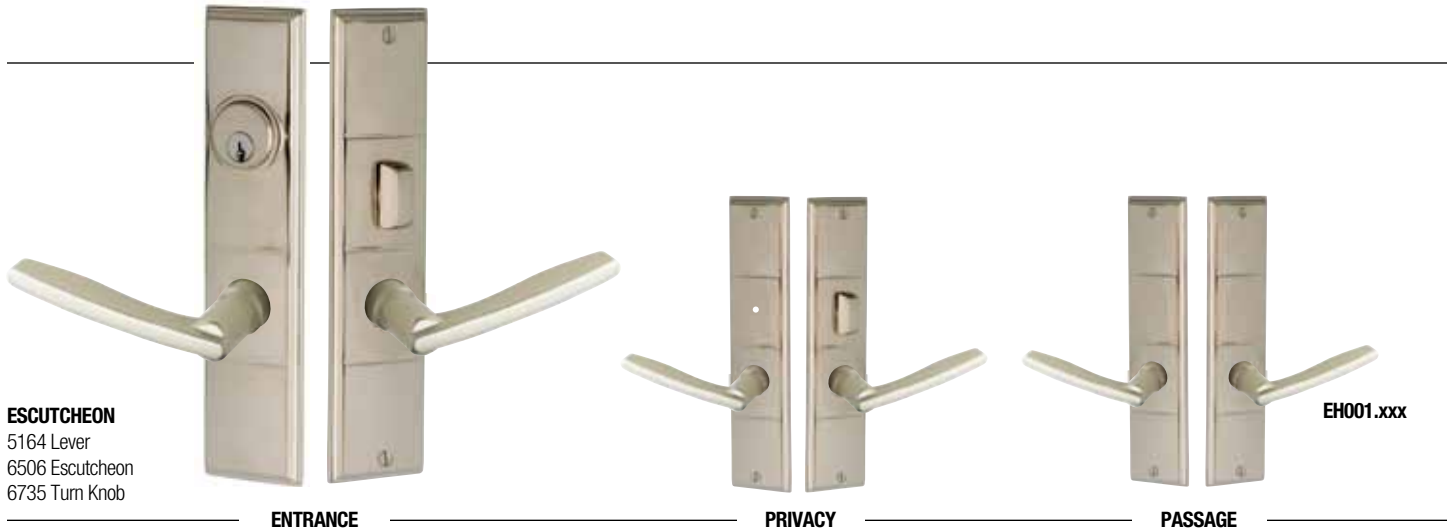
- Outside plate with lever assembly
- Inside plate with lever assembly
- Mortise lock
- Cylinder assembly (optional)

Item #	Description	Tier 1	Tier 2	Minus Cylinder Tier 1	Minus Cylinder Tier 2
EHOcc.xxx	Escutcheon ENTRANCE	\$925	\$1000	\$875	\$945
EHOcc.xxx	Escutcheon PRIVACY	925	1000	-	-
EHOcc.xxx	Escutcheon PASSAGE	875	950	-	-
SHOcc.xxx	Sectional ENTRANCE	800	875	750	820
SHOcc.xxx	Sectional PRIVACY	700	775	-	-
SHOcc.xxx	Sectional PASSAGE	600	675	-	-

cc = Lever Choice, replace with desired lever '01', '02', or see Lever section

Tier 1 Finishes: 030, 031, 033, 034, 038*, 040, 050, 060, 102, 112, 150, 151, 190, 260, 264

Tier 2 Finishes: 003, 055, 056, 402, 412, 452



ESCUTCHEON

- 5164 Lever
- 6506 Escutcheon
- 6735 Turn Knob

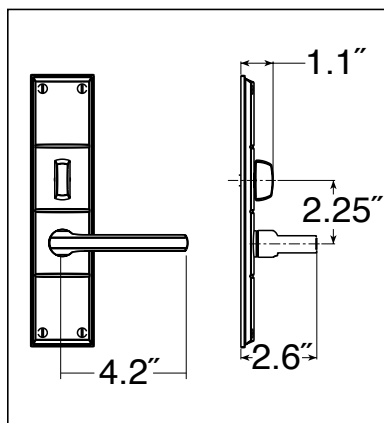
ENTRANCE

PRIVACY

PASSAGE

SECTIONAL

- 5164 Lever
- 5056 Rose
- 6743 Cylinder Collar (Entrance)
- 6733 Turnpiece (Entrance & Privacy)
- 0423 ER Trim (Privacy)



RECOMMENDED RETURN LEVER FOR ENTIRE SET:



*038 Finish will be discontinued December 2011.
 **L010 Lever will be discontinued December 2011 and replaced with L018.

COMPLETE SETS – LAKESHORE

SETS INCLUDE:

- Outside plate with lever assembly
- Inside plate with lever assembly
- Mortise lock
- Cylinder assembly (optional)

Item #	Description	Tier 1	Tier 2	Minus Cylinder Tier 1	Minus Cylinder Tier 2
ELAcc.xxx	Escutcheon ENTRANCE	\$925	\$1000	\$875	\$945
ELAcc.xxx	Escutcheon PRIVACY	925	1000	-	-
ELAcc.xxx	Escutcheon PASSAGE	875	950	-	-
SLAcc.xxx	Sectional ENTRANCE	800	875	750	820
SLAcc.xxx	Sectional PRIVACY	700	775	-	-
SLAcc.xxx	Sectional PASSAGE	600	675	-	-

cc = Lever Choice, replace with desired lever '01', '02', or see Lever section

Tier 1 Finishes: 030, 031, 033, 034, 038*, 040, 050, 060, 102, 112, 150, 151, 190, 260, 264

Tier 2 Finishes: 003, 055, 056, 402, 412, 452



ESCUTCHEON

- 5162 Lever
- 6502 Escutcheon
- 6735 Turn Knob

ENTRANCE

PRIVACY

PASSAGE

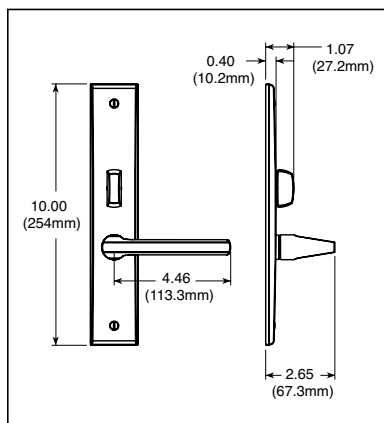
ELA01.xxx

SECTIONAL

- 5162 Lever
- 5071 Rose
- 6739 Cylinder Collar (Entrance)
- 6762 Turnpiece (Entrance & Privacy)
- 0422 ER Trim (Privacy)



SLA01.xxx



*038 Finish will be discontinued December 2011.
 **L007 Lever will be discontinued December 2011 and replaced with L018.

COMPLETE SETS – REPUBLIC*

SETS INCLUDE:

- Outside plate with lever assembly
- Inside plate with lever assembly
- Mortise lock
- Cylinder assembly (optional)

Item #	Description	Tier 1	Tier 2	Minus Cylinder Tier 1	Minus Cylinder Tier 2
EREcc.xxx	Escutcheon ENTRANCE	\$848	\$926	\$805	\$880
EREcc.xxx	Escutcheon PRIVACY	848	926	–	–
EREcc.xxx	Escutcheon PASSAGE	805	880	–	–
SREcc.xxx	Sectional ENTRANCE	727	784	684	741
SREcc.xxx	Sectional PRIVACY	643	695	–	–
SREcc.xxx	Sectional PASSAGE	544	586	–	–

cc = Lever Choice, replace with desired lever '01', '02', or see Lever section

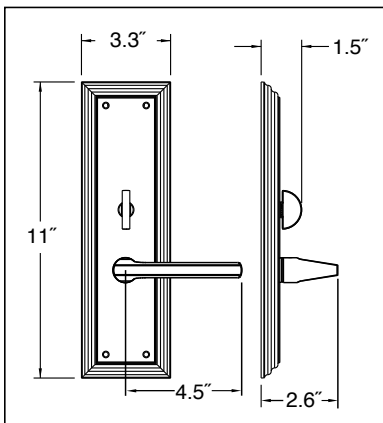
Tier 1 Finishes: 030, 031, 033, 034, 038*, 040, 050, 060, 102, 112, 150, 151, 190, 260, 264

Tier 2 Finishes: 003, 055, 056, 402, 412, 452



SECTIONAL

- 5125 Lever
- 5047 Rose
- 6738 Cylinder Collar (Entrance)
- TP07 Turnpiece (Entrance & Privacy)
- 0421 ER Trim (Privacy)



RECOMMENDED RETURN LEVER FOR ENTIRE SET:



*Republic will be discontinued Decemehr 2011.

COMPLETE SETS – BRISTOL

SETS INCLUDE:

- Outside plate with lever assembly
- Inside plate with lever assembly
- Mortise lock
- Cylinder assembly (optional)

Item #	Description	Tier 1	Tier 2	Minus Cylinder Tier 1	Minus Cylinder Tier 2
EBRcc.xxx	Escutcheon ENTRANCE	\$925	\$1000	\$875	\$945
EBRcc.xxx	Escutcheon PRIVACY	925	1000	-	-
EBRcc.xxx	Escutcheon PASSAGE	875	950	-	-
SBRcc.xxx	Sectional ENTRANCE	800	875	750	820
SBRcc.xxx	Sectional PRIVACY	700	775	-	-
SBRcc.xxx	Sectional PASSAGE	600	675	-	-

cc = Lever Choice, replace with desired lever '01', '02', or see Lever section

Tier 1 Finishes: 030, 031, 033, 034, 038*, 040, 050, 060, 102, 112, 150, 151, 190, 260, 264

Tier 2 Finishes: 003, 055, 056, 402, 412, 452

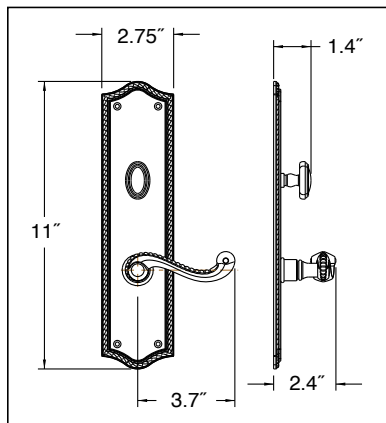


ESCUTCHEON

- 5104 Lever
- 6420 Escutcheon
- 6725 Turn Knob

SECTIONAL

- 5104 Lever
- 5004 Rose
- 6757 Cylinder Collar (Entrance)
- TP06 Turnpiece (Entrance & Privacy)
- 0403 ER Trim (Privacy)



RECOMMENDED RETURN LEVER FOR ENTIRE SET:



*038 Finish will be discontinued December 2011.
 **L012 Lever will be discontinued December 2011 and replaced with L018.

COMPLETE SETS – STANFORD

SETS INCLUDE:

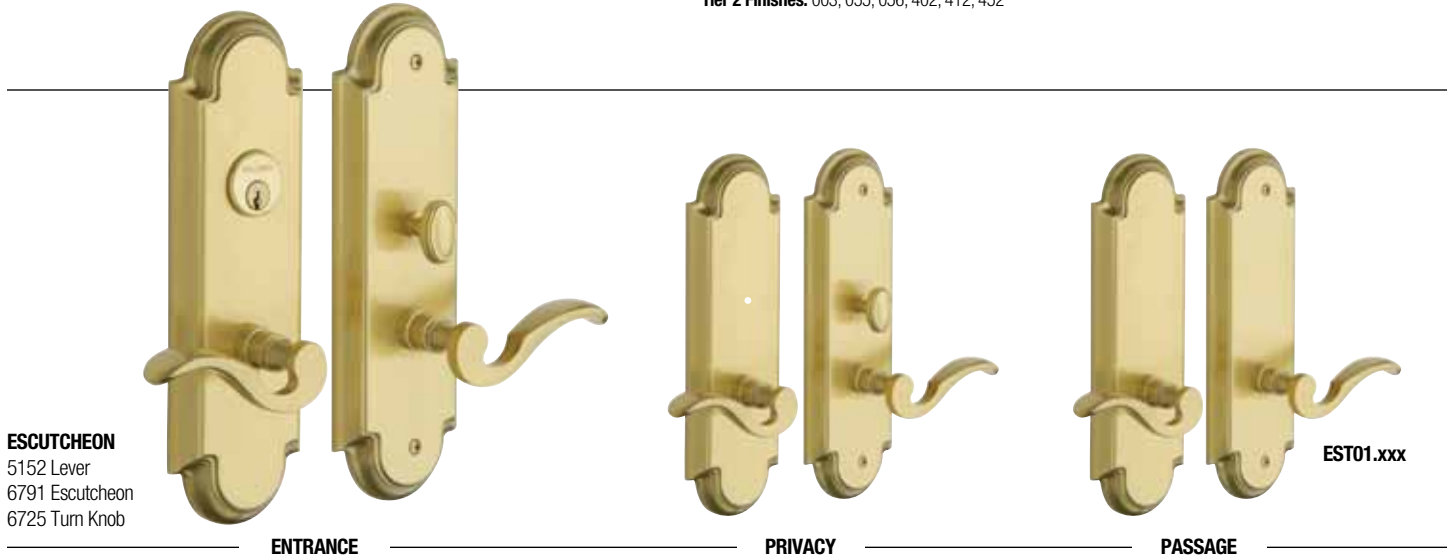
- Outside plate with lever assembly
- Inside plate with lever assembly
- Mortise lock
- Cylinder assembly (optional)

Item #	Description	Tier 1	Tier 2	Minus Cylinder Tier 1	Minus Cylinder Tier 2
ESTcc.xxx	Escutcheon ENTRANCE	\$925	\$1000	\$875	\$945
ESTcc.xxx	Escutcheon PRIVACY	925	1000	-	-
ESTcc.xxx	Escutcheon PASSAGE	875	950	-	-
SSTcc.xxx	Sectional ENTRANCE	800	875	750	820
SSTcc.xxx	Sectional PRIVACY	700	775	-	-
SSTcc.xxx	Sectional PASSAGE	600	675	-	-

cc = Lever Choice, replace with desired lever '01', '02', or see Lever section

Tier 1 Finishes: 030, 031, 033, 034, 038*, 040, 050, 060, 102, 112, 150, 151, 190, 260, 264

Tier 2 Finishes: 003, 055, 056, 402, 412, 452

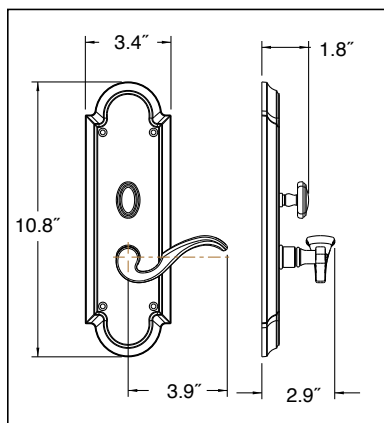


ESCUTCHEON

- 5152 Lever
- 6791 Escutcheon
- 6725 Turn Knob

SECTIONAL

- 5152 Lever
- 5048 Rose
- 6757 Cylinder Collar (Entrance)
- TP06 Turnpiece (Entrance & Privacy)
- 0403 ER Trim (Privacy)



RECOMMENDED RETURN LEVER FOR ENTIRE SET:



*038 Finish will be discontinued December 2011.
 **L012 Lever will be discontinued December 2011 and replaced with L018.

COMPLETE SETS – BOULDER

SETS INCLUDE:

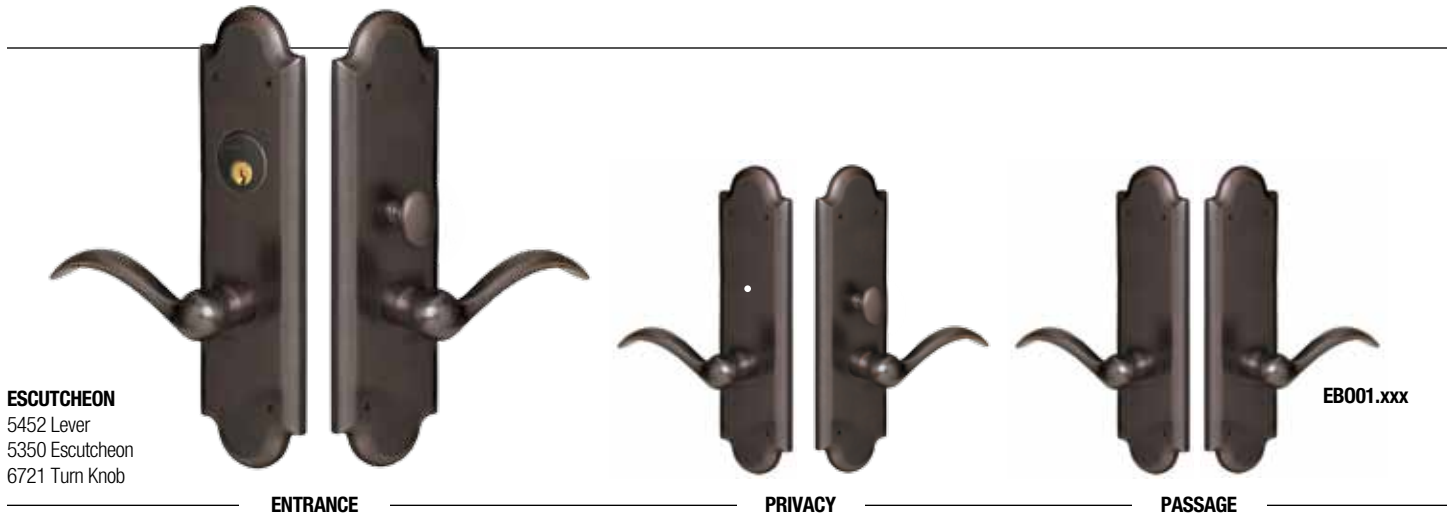
- Outside plate with lever assembly
- Inside plate with lever assembly
- Mortise lock
- Cylinder assembly (optional)

Item #	Description	Tier 1	Tier 2	Minus Cylinder Tier 1	Minus Cylinder Tier 2
EBOcc.xxx	Escutcheon ENTRANCE	\$925	\$1000	\$875	\$945
EBOcc.xxx	Escutcheon PRIVACY	925	1000	-	-
EBOcc.xxx	Escutcheon PASSAGE	875	950	-	-
SBOcc.xxx	Sectional ENTRANCE	800	875	750	820
SBOcc.xxx	Sectional PRIVACY	700	775	-	-
SBOcc.xxx	Sectional PASSAGE	600	675	-	-

cc = Lever Choice, replace with desired lever '01', '02', or see Lever section

Tier 1 Finishes: 030, 031, 033, 034, 038*, 040, 050, 060, 102, 112, 150, 151, 190, 260, 264

Tier 2 Finishes: 003, 055, 056, 402, 412, 452



ESCUTCHEON

- 5452 Lever
- 5350 Escutcheon
- 6721 Turn Knob

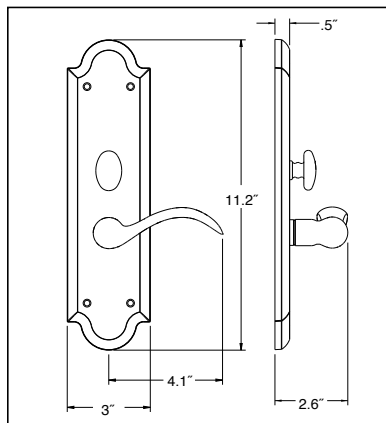
ENTRANCE

PRIVACY

PASSAGE

SECTIONAL

- 5452 Lever
- 5017 Rose
- 6757 Cylinder Collar (Entrance)
- TP08 Turnpiece (Entrance & Privacy)
- 0403 ER Trim (Privacy)



RECOMMENDED LEVER FOR ENTIRE SET:



*038 Finish will be discontinued December 2011.
 **L012 Lever will be discontinued December 2011 and replaced with L018.

COMPLETE SETS – FENWICK

SETS INCLUDE:

- Outside plate with lever assembly
- Inside plate with lever assembly
- Mortise lock
- Cylinder assembly (optional)

Item #	Description	Tier 1	Tier 2	Minus Cylinder Tier 1	Minus Cylinder Tier 2
EFecc.xxx	Escutcheon ENTRANCE	\$925	\$1000	\$875	\$945
EFecc.xxx	Escutcheon PRIVACY	925	1000	–	–
EFecc.xxx	Escutcheon PASSAGE	875	950	–	–
SFEcc.xxx	Sectional ENTRANCE	800	875	750	820
SFEcc.xxx	Sectional PRIVACY	700	775	–	–
SFEcc.xxx	Sectional PASSAGE	600	675	–	–

cc = Lever Choice, replace with desired lever '01', '02', or see Lever section

Tier 1 Finishes: 030, 031, 033, 034, 038*, 040, 050, 060, 102, 112, 150, 151, 190, 260, 264

Tier 2 Finishes: 003, 055, 056, 402, 412, 452



ENTRANCE



PRIVACY



EFE01.xxx

ESCUTCHEON

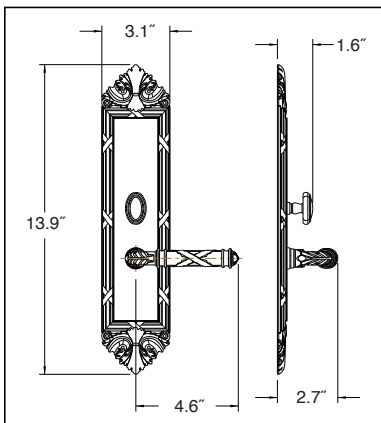
- 5122 Lever
- 6789 Escutcheon
- 6725 Turn Knob

SECTIONAL

- 5122 Lever
- 5021 Rose
- 6757 Cylinder Collar (Entrance)
- TP06 Turnpiece (Entrance & Privacy)
- 0403 ER Trim (Privacy)



SFE01.xxx



EFE02.xxx

L012 Lever**

*038 Finish will be discontinued December 2011.
 **L012 Lever will be discontinued December 2011 and replaced with L018.

COMPLETE SETS – WESTMINSTER

SETS INCLUDE:

- Outside plate with lever assembly
- Inside plate with lever assembly
- Mortise lock
- Cylinder assembly (optional)

Item #	Description	Tier 1	Tier 2	Minus Cylinder Tier 1	Minus Cylinder Tier 2
EWEcc.xxx	Escutcheon ENTRANCE	\$925	\$1000	\$875	\$945
EWEcc.xxx	Escutcheon PRIVACY	925	1000	-	-
EWEcc.xxx	Escutcheon PASSAGE	875	950	-	-
SWEcc.xxx	Sectional ENTRANCE	800	875	750	820
SWEcc.xxx	Sectional PRIVACY	700	775	-	-
SWEcc.xxx	Sectional PASSAGE	600	675	-	-

cc = Lever Choice, replace with desired lever '01', '02', or see Lever section

Tier 1 Finishes: 030, 031, 033, 034, 038*, 040, 050, 060, 102, 112, 150, 151, 190, 260, 264

Tier 2 Finishes: 003, 055, 056, 402, 412, 452



ENTRANCE



PRIVACY



PASSAGE

ESCUTCHEON

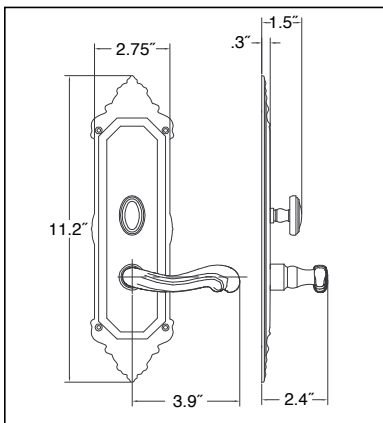
- 5108 Lever
- 6790 Escutcheon
- 6725 Turn Knob

SECTIONAL

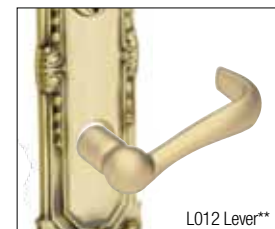
- 5108 Lever
- 5017 Rose
- 6757 Cylinder Collar (Entrance)
- TP06 Turnpiece (Entrance & Privacy)
- 0403 ER Trim (Privacy)



SWE01.xxx



RECOMMENDED RETURN LEVER FOR ENTIRE SET:



L012 Lever**

*038 Finish will be discontinued December 2011.
**L012 Lever will be discontinued December 2011 and replaced with L018.



ESCUTCHEON ENTRANCE in Tier 1 Finish (Satin Nickel, 150):

Commercial Á La Carte Through-Bolt Kit		\$75
Outside & Inside Levers	L018.150	\$145
Outside Escutcheon	Houston	\$185
Inside Escutcheon	Houston	\$220
Mortise Lock	Entrance Function	\$360
Cylinder (optional)	8323.150.EMHT	\$50
<hr/>		
Total		\$1035



ESCUTCHEON PRIVACY in Tier 1 Finish (264/324):

Commercial Á La Carte Through-Bolt Kit		\$75
Outside & Inside Levers	L018.150	\$145
Outside Escutcheon	Houston	\$185
Inside Escutcheon	Houston	\$220
Mortise Lock	Privacy Function	\$320
<hr/>		
Total		\$945



SECTIONAL ENTRANCE in Tier 1 Finish (Satin Nickel, 150):

Commercial Á La Carte Through-Bolt Kit		\$75
Outside Lever	L018.150	\$73
Inside Lever	5164.150	\$73
Roses (pair)	5056.150	\$120
Cylinder Collar	6743.150	\$45
Turnpiece	6733.150	\$65
Mortise Lock	Entrance Function	\$360
Cylinder (optional)	8323.150	\$50
<hr/>		
Total		\$861



SECTIONAL PRIVACY in Tier 1 Finish (Satin Nickel, 150):

Commercial Á La Carte Through-Bolt Kit		\$75
Outside & Inside Levers	5164.150	\$145
Rose (pair)	5056.150	\$120
Emergency Release Trim	0423.150	\$40
Turnpiece	6733.150	\$65
Mortise Lock	Privacy Function	\$320
<hr/>		
Total		\$765

**ESCUTCHEON PASSAGE in Tier 1 Finish (264/324):**

Commercial Á La Carte Through-Bolt Kit		\$75
Outside & Inside Levers	L018.150	\$145
2 Passage Escutcheon	Houston	\$370
Mortise Lock	Passage Function	\$320
Total		\$910

Use Baldwin Commercial Á La Carte Ordering to customize a complete set:

- > \$75 charge for a la carte ordering applied for through bolt kit
- > Due to assembly requirement parts can not be shipped separately.

**SECTIONAL PASSAGE in Tier 1 Finish (Satin Nickel, 150):**

Commercial Á La Carte Through-Bolt Kit		\$75
Outside & Inside Levers	5164.150	\$145
Rose (pair)	5056.150	\$120
Mortise Lock	Passage Function	\$320
Total		\$660

BALDWIN Á LA CARTE – LEVERS

Tier 1 Finishes: 030, 031, 033, 034, 038*, 040, 050, 060, 102, 112, 150, 151, 190, 260, 264

Tier 2 Finishes: 003, 055, 056, 402, 412, 452

5103.xxx
SOLID BRASS

Tier 1 – \$145
Tier 2 – \$165

5106.xxx
SOLID BRASS

Tier 1 – \$145
Tier 2 – \$165

5152.xxx
SOLID BRASS

Tier 1 – \$145
Tier 2 – \$165

5190.xxx
SOLID BRASS

Tier 1 – \$145
Tier 2 – \$165

L009.xxx**
SOLID BRASS

Tier 1 – \$126
Tier 2 – \$144

L011.xxx**
SOLID BRASS

Tier 1 – \$126
Tier 2 – \$144

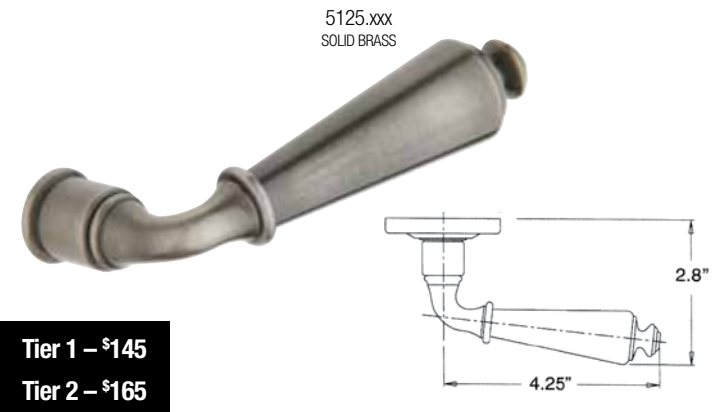
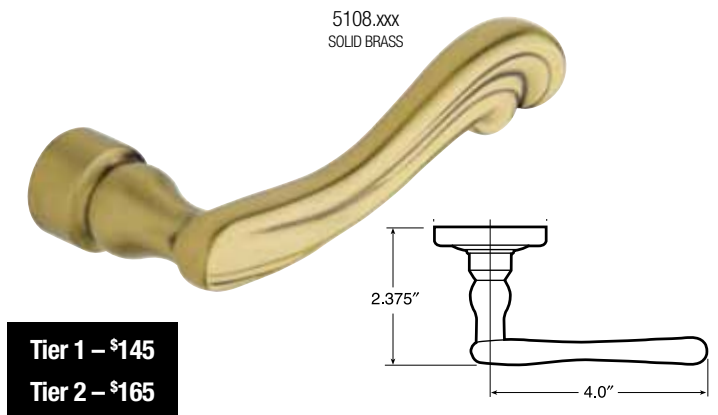
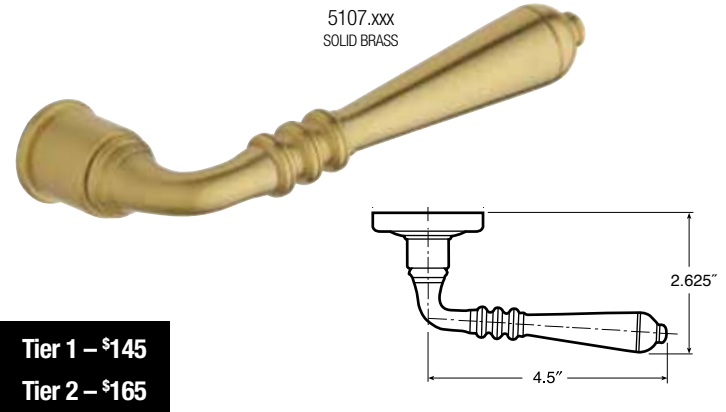
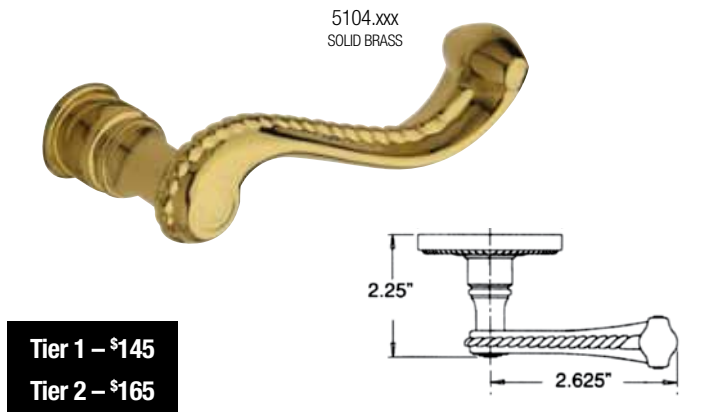
5452.xxx
SOLID BRASS

Tier 1 – \$145
Tier 2 – \$165

*Finish will be discontinued December 2011.
**Style will be discontinued December 2011.

Tier 1 Finishes: 030, 031, 033, 034, 038*, 040, 050, 060, 102, 112, 150, 151, 190, 260, 264

Tier 2 Finishes: 003, 055, 056, 402, 412, 452



*Finish will be discontinued December 2011.

BALDWIN Á LA CARTE – LEVERS

Tier 1 Finishes: 030, 031, 033, 034, 038*, 040, 050, 060, 102, 112, 150, 151, 190, 260, 264

Tier 2 Finishes: 003, 055, 056, 402, 412, 452

5137.xxx
SOLID BRASS

NOT OFFERED IN
DISTRESSED

2.3"

4"

Tier 1 – \$145
Tier 2 – \$165

5138.xxx
SOLID BRASS

NOT OFFERED IN
DISTRESSED

2.312

4.0

Tier 1 – \$145
Tier 2 – \$165

5161.xxx
SOLID BRASS

NOT OFFERED IN
DISTRESSED

2.5"

4.6"

Tier 1 – \$145
Tier 2 – \$165

5162.xxx
SOLID BRASS

2.5"

4.5"

Tier 1 – \$145
Tier 2 – \$165

5164.xxx
SOLID BRASS

2.6"

4.2"

Tier 1 – \$145
Tier 2 – \$165

5166.xxx
SOLID BRASS

2.9"

4.6"

Tier 1 – \$145
Tier 2 – \$165

L007.xxx**
SOLID BRASS

2.8"

.5" MAX

5.0"

Tier 1 – \$134
Tier 2 – \$152

L008.xxx**
SOLID BRASS

2.7"

.5" MAX

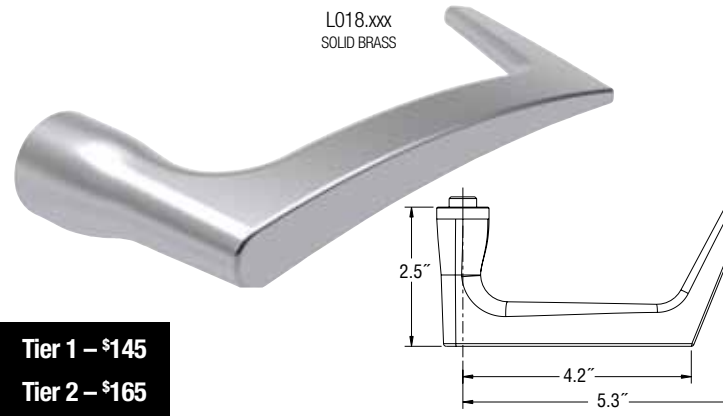
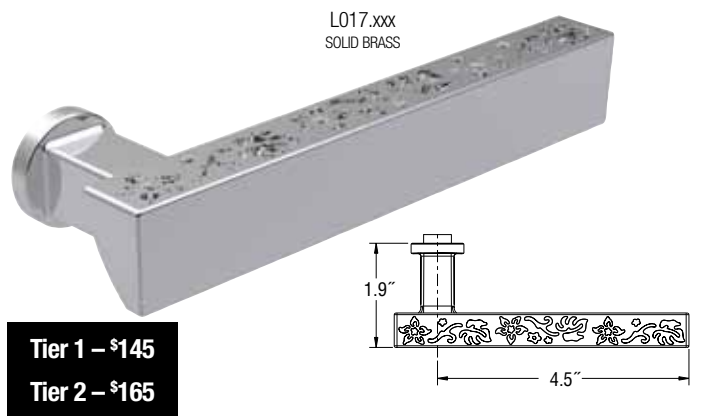
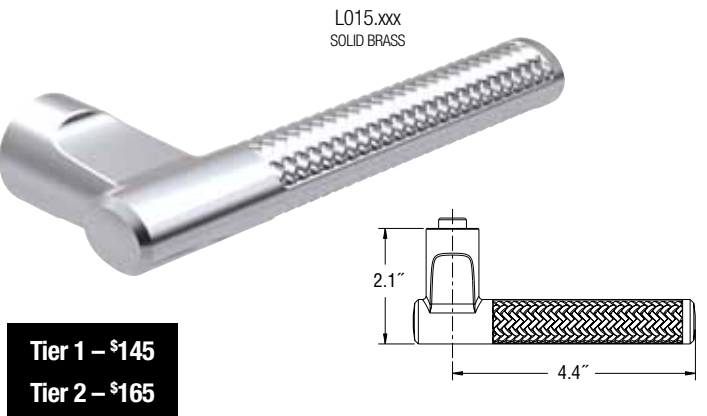
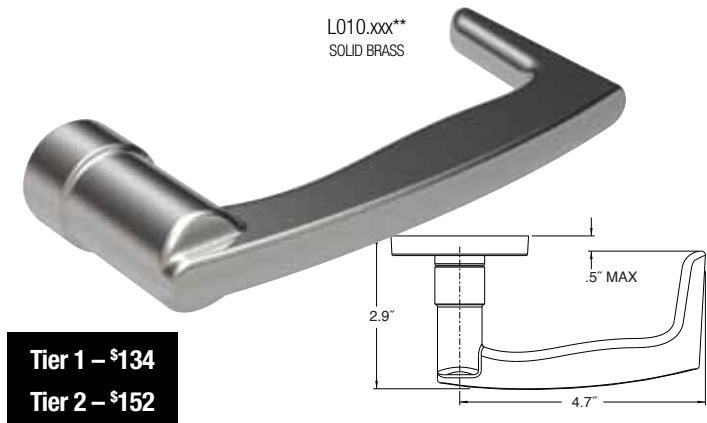
4.8"

Tier 1 – \$134
Tier 2 – \$152

*Finish will be discontinued December 2011.
**Style will be discontinued December 2011.

Tier 1 Finishes: 030, 031, 033, 034, 038*, 040, 050, 060, 102, 112, 150, 151, 190, 260, 264

Tier 2 Finishes: 003, 055, 056, 402, 412, 452

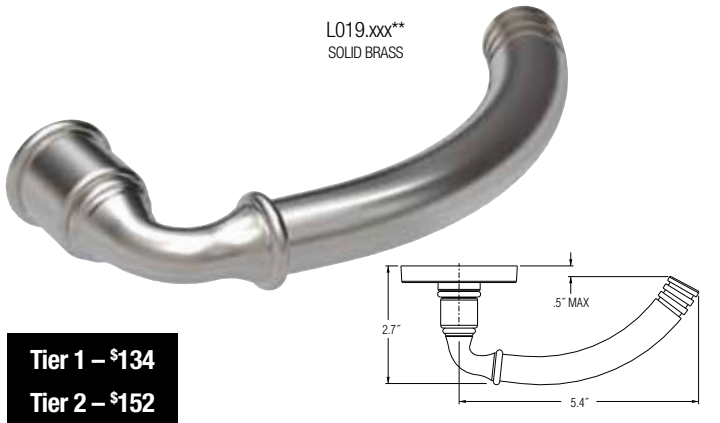


*Finish will be discontinued December 2011.
**Style will be discontinued December 2011.

BALDWIN Á LA CARTE – LEVERS

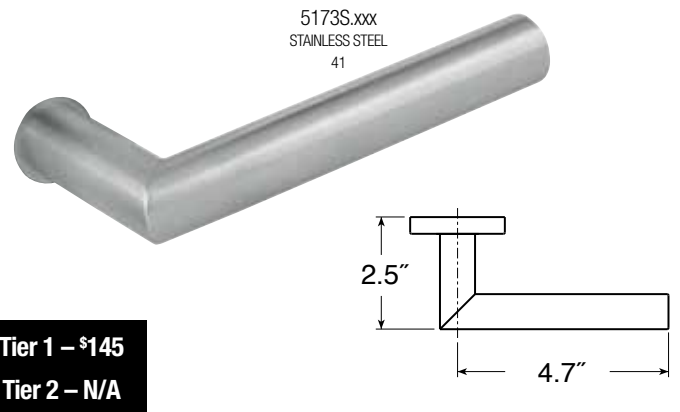
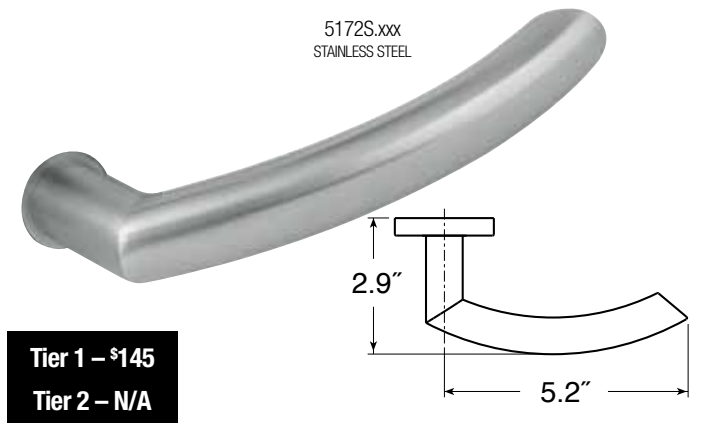
Tier 1 Finishes: 030, 031, 033, 034, 038*, 040, 050, 060, 102, 112, 150, 151, 190, 260, 264

Tier 2 Finishes: 003, 055, 056, 402, 412, 452



STAINLESS STEEL LEVERS

FINISHES AVAILABLE: 320, 324



*Finish will be discontinued December 2011.

**Style will be discontinued December 2011.

ROSES

Tier 1 – \$120
Tier 2 – \$130

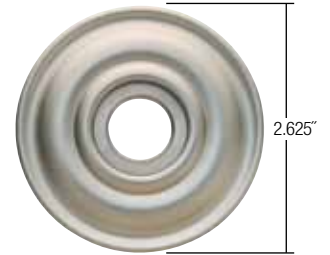
Tier 1 Finishes: 030, 031, 033, 034, 038*, 040, 050, 060, 102, 112, 150, 151, 190, 260, 264

Tier 1 Stainless Steel Finishes: 320, 324

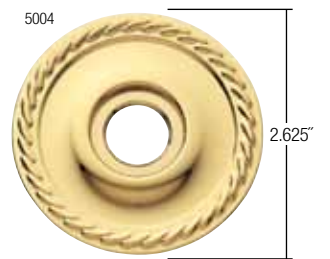
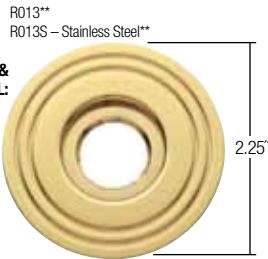
Tier 2 Finishes: 003, 055, 056, 402, 412, 452

Entrance, Privacy & Passage

SOLID BRASS & STAINLESS STEEL:



SOLID BRASS & STAINLESS STEEL:



*Finish will be discontinued December 2011.
 **Style will be discontinued December 2011.
 List prices for these items: Tier 1 \$108, Tier 2 \$123.

Tier 1 – \$95
Tier 2 – \$130

Tier 1 Finishes: 030, 031, 033, 034, 038*, 040, 050, 060, 102, 112, 150, 151, 190, 260, 264

Tier 2 Finishes: 003, 055, 056, 402, 412, 452

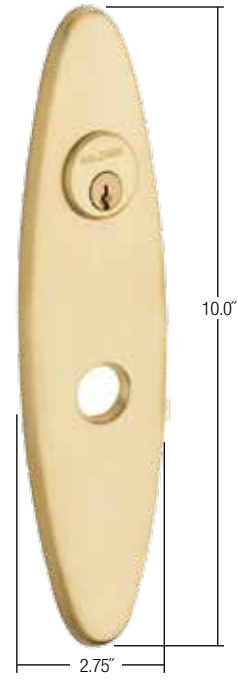
Entrance & Passage
 Cylinder NOT included



Atlanta – 6512
 Trim thickness: .375"



Detroit – 6503
 Trim thickness: .45"



Wilmington – 6795
 Trim thickness: .3125"

Passage Escutcheons



*Finish will be discontinued December 2011.
 **Style will be discontinued December 2011.

Tier 1 – \$185

Tier 2 – \$220

Entrance & Passage
Cylinder NOT included

Tier 1 Finishes: 030, 031, 033,
034, 038*, 040,
050, 060, 102,
112, 150, 151,
190, 260, 264

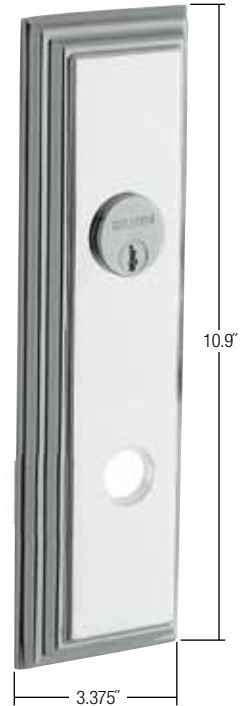
Tier 2 Finishes: 003, 055, 056,
402, 412, 452



Stanford – 6791
Trim thickness: .6875"



Bristol – 6520
Trim thickness: .275"



Republic – 6796**
Trim thickness: .75"



Westminster – 6790
Trim thickness: .3125"



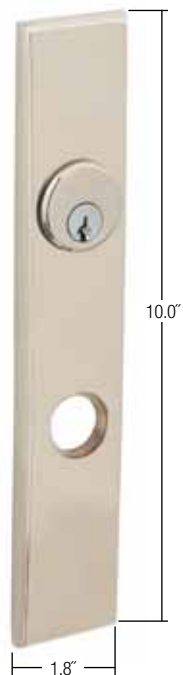
Fenwick – 6789
Trim thickness: .435"



Boulder – 5350
Trim thickness: .53"



Houston – 6506
Trim thickness: .435"



Lakeshore – 6502
Trim thickness: .4"

Tier 1 – \$130

Tier 2 – \$170

Tier 1 Finishes: 030, 031, 033, 034, 038*, 040, 050, 060, 102, 112, 150, 151, 190, 260, 264

Tier 2 Finishes: 003, 055, 056, 402, 412, 452

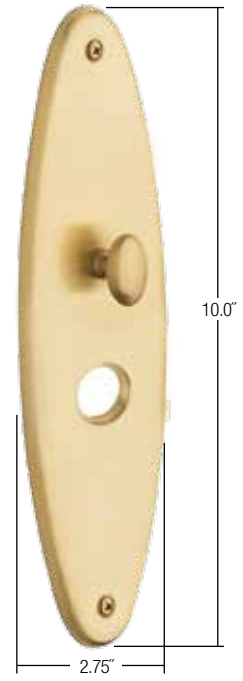
Entrance and Privacy
Turn Knob Included



Atlanta – 6512
Trim thickness: .375"



Detroit – 6503
Trim thickness: .45"



Wilmington – 6795
Trim thickness: .3125"

Tier 1 – \$220

Tier 2 – \$260

Entrance and Privacy

Turn Knob Included

Tier 1 Finishes: 030, 031, 033, 034, 038*, 040, 050, 060, 102, 112, 150, 151, 190, 260, 264

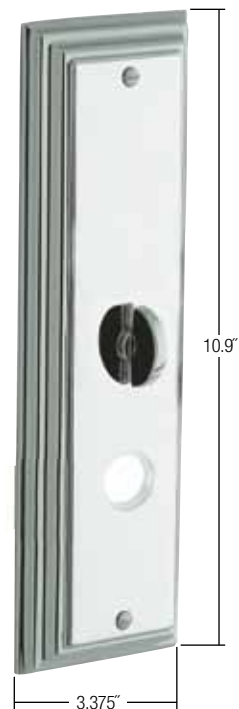
Tier 2 Finishes: 003, 055, 056, 402, 412, 452



Stanford – 6791
Trim thickness: .6875"



Bristol – 6520
Trim thickness: .275"



Republic – 6796**
Trim thickness: .75"



Westminster – 6790
Trim thickness: .3125"



Fenwick – 6789
Trim thickness: .435"



Boulder – 5350
Trim thickness: .53"



Houston – 6506
Trim thickness: .435"



Lakeshore – 6502
Trim thickness: .4"

BALDWIN Á LA CARTE – SECTIONAL EXTERIOR

CYLINDER COLLARS

Tier 1 – \$45
Tier 2 – \$50

Entrance
Cylinder NOT included

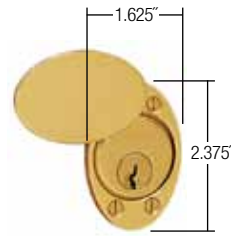
Tier 1 Finishes: 030, 031, 033, 034, 038*, 040, 050, 060, 102, 112, 150, 151, 190, 260, 264

Tier 1 Stainless Steel Finishes: 320, 324

Tier 2 Finishes: 003, 055, 056, 402, 412, 452



6757.xxx
Traditional Collar
.365" projection

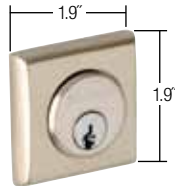


6755.xxx
Collar with Swing Cover
.3125" projection

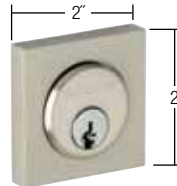
6755 ONLY:
Tier 1 – \$95
Tier 2 – \$100



6738.xxx
6738S.xxx (Stainless Steel)
Contemporary Round Collar
.365" projection



6739.xxx
Lakeshore Collar
.365" projection

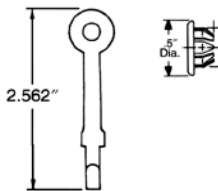


6743.xxx
6743S.xxx (Stainless Steel)
Contemporary Square Collar
.365" projection

EMERGENCY RELEASE TRIM

Tier 1 – \$40
Tier 2 – \$45

Privacy
Includes Emergency Release Key
and Cover



Tier 1 Finishes: 030, 031, 033, 034, 038*, 040, 050, 060, 102, 112, 150, 151, 190, 260, 264

Tier 1 Stainless Steel Finishes: 320, 324

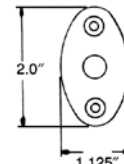
Tier 2 Finishes: 003, 055, 056, 402, 412, 452



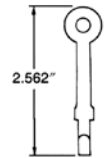
0403
Traditional Round Trim



0404
Traditional Oval Trim



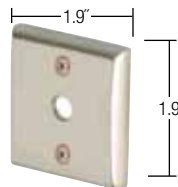
0416
Oval Trim



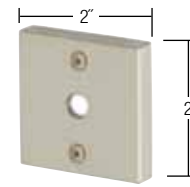
0417.022
Emergency Release Key



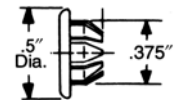
0421 & 0421S
Contemporary Round Trim



0422
Lakeshore Trim



0423 & 0423S
Contemporary Square Trim



6701.xxx
Emergency Release Cover

*Finish will be discontinued December 2011.

TURN PIECES

Tier 1 – \$65
Tier 2 – \$70

Entrance and Privacy

Tier 1 Finishes: 030, 031, 033, 034, 038*, 040, 050, 060, 102, 112, 150, 151, 190, 260, 264

Tier 1 Stainless Steel Finishes: 320, 324

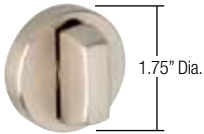
Tier 2 Finishes: 003, 055, 056, 402, 412, 452



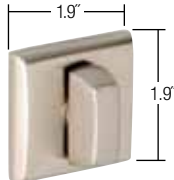
TP06.xxx
Traditional Turnpiece
 1.375" projection



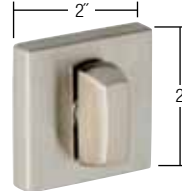
TP08.xxx
Oval Turnpiece
 1.375" projection



6760.xxx
6760S.xxx (Stainless Steel)
Contemporary Round Turnpiece
 1" projection



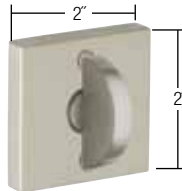
6762.xxx
Lakeshore Turnpiece
 1" projection



1" projection



TP07.xxx
Round Turnpiece
 1" projection

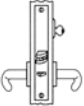


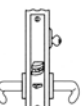
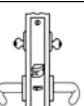
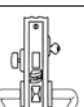
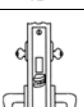
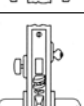
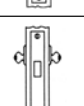
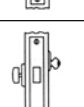
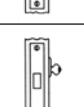
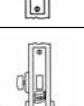
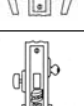
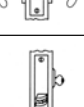


TP09.xxx
Square Turnpiece
 1" projection

NOTE: Exposed screws not in photos

*Finish will be discontinued December 2011.

MORTISE LOCKS – SPECIFICATIONS

Inside/Outside	Item#/Backsets	Function	ANSI #	Description
	HD01 2.75" & 2.5"	PASSAGE or CLOSET	F01	– Latch bolt by lever either side at all times.
	HD04 2.75" & 2.5"	CLASSROOM, ENTRANCE or OFFICE	F04	– Latch bolt by lever either side except when outside lever is fixed. – When outside lever is locked, latch bolt is retracted by key outside or by inside lever. – Auxiliary dead latch.
	HD05 2.75" & 2.5"	CLASSROOM	F05	– Latch bolt by lever either side, unless outside grip is locked by key outside. – Auxiliary latch deadlocks Latch bolt. – Inside grip always free.
	HD07 2.75" & 2.5"	STOREROOM or CLOSET	F07	– Latch bolt by lever inside or by key outside. – Outside lever always rigid. – Auxiliary dead latch. – Can be used with electric strike.
	HD09 2.75" & 2.5"	ENTRANCE or PUBLIC RESTROOM	F09	– Latch bolt by lever either side, except when outside lever locked by key from inside. – When outside lever is locked, latch bolt is retracted by key outside or by operating inside lever. – Auxiliary dead latch.
	HD12 2.75" & 2.5"	ENTRANCE or APARTMENT	F12	– Latch bolt by lever either side, except when outside lever is fixed. – Dead bolt projected by key outside and turn inside. – Dead bolt retracted by key outside and turn inside. – Inside lever retracts both bolts and outside remains locked.
	HD14 2.75" & 2.5"	STOREROOM	F14	– Latch bolt by lever from either side. – Dead bolt by key from either side.
	HD15 2.75" & 2.5"	HOTEL or MOTEL	F15	– Latch bolt by key from outside or by inside lever. – Outside lever always fixed. – Dead bolt projected by turn from inside and all keys except emergency and display key are shut out. – Operating inside lever retracts both bolts. – Auxiliary dead latch. Indicator button when specified.
	HD16 2.75" & 2.5"	KEY X KEY DEADLOCK	F16	– Dead bolt by key from either side.
	HD17 2.75" & 2.5"	KEY X TURN DEADLOCK	F17	– Dead bolt by key from outside and turn from inside.
	HD18 2.75" & 2.5"	SINGLE KEY DEADLOCK	F18	– Dead bolt by key from outside only.
	HD19 2.75" & 2.5"	PRIVACY, BEDROOM or BATHROOM	F19	– Latch bolt by lever either side. – Dead bolt by turn inside and emergency release outside. – Operating inside lever retracts both bolts.
	HD20 2.75" & 2.5"	ENTRANCE or APARTMENT	F20	– Latch bolt by lever either side, except when outside lever fixed. – Dead bolt by key outside or turn inside. – Key outside operates both bolts. – Operating inside lever retracts both bolts and outside remains locked. – Latch bolt is deadlocked when outside lever is fixed or when dead bolt is projected. When dead bolt is retracted, lever is unlocked.
	HD21 2.75" & 2.5"	DORMITORY ENTRANCE or STOREROOM	F21	– Latch bolt by lever either side. – Dead bolt by key outside, turn inside. – Operating inside lever retracts both bolts.

Baldwin ANSI/BHMA Mortise Locks designed to be used with Emhart cam.

Baldwin HDXX locks are not compatible with non-commercial Baldwin product. Please see Estate book for standard Baldwin locks.

Please see below table for Baldwin and other leading cylinder products:

COMPANY	CLOVER LEAF COMPATIBLE PRODUCT
Baldwin:	8321.xxx.EMHT (5-pin cylinder) 8322.xxx.EMHT (6-pin cylinder) or purchase 8300.028.EMHT cam to retrofit existing cylinder inventory 002
Arrow:	
Interchangeable Core	
Best:	C161
Corbin:	A01
Kaba Ilco:	19
Medeco:	CT-Z00
Sargent:	13-0921
Schlage:	B520-233
Schlage I/C:	B520-253
Schlage Primus:	B520-309

NOTE: WHEN ORDERING CYLINDERS.

All HD-series heavy duty commercial mortise locks require a special Baldwin cylinder.

*Strikes provided with lock to accommodate 1 3/4" doors. For thicker door options contact customer service.

Suffix* indicates Handing & Backset

	2.75"	2.5"
Right hand Lever Strength	.ARLS	.BRLS
Left hand Lever Strength	.ALLS	.BLLS
Right hand Reverse bevel Lever Strength	.ARRLS	.BRRLS
Left hand Reverse bevel Lever Strength	.ALRLS	.BLRLS

NOTE: Swivel spindles included with all Grade 1 Mortise Locks, except HD11 Passage (Straight spindles included)
Deadlocks do NOT require spindles

Example:

HD09.003.ARLS5

Function Finish Handing & Backset

Entrance Lock (F09) in Lifetime Polished Nickel

Item #	Description	ANSI	Backset	Tier 1	Tier 2
HD01.xxx.Suffix*	Passage or Closet	Lever x Lever	F01 2.75"/2.5"		
HD04.xxx.Suffix*	Classroom, Entrance or Office	Lever x Lever	F04 2.75"/2.5"		
HD05.xxx.Suffix*	Classroom	Lever x Lever	F05 2.75"/2.5"	\$320	340
HD07.xxx.Suffix*	Storeroom or Closet	Lever x Lever	F07 2.75"/2.5"		
HD09.xxx.Suffix*	Entrance or Public Restroom	Lever x Lever	F09 2.75"/2.5"		
HD12.xxx.Suffix*	Entrance or Apartment	Lever x Lever	F12 2.75"/2.5"		
HD14.xxx.Suffix*	Store Door	Lever x Lever	F14 2.75"/2.5"	\$360	380
HD15.xxx.Suffix*	Hotel or Motel	Lever x Lever	F15 2.75"/2.5"		
HD16.xxx.Suffix*	Key x Key Deadlock		F16 2.75"/2.5"		
HD17.xxx.Suffix*	Key x Turn Deadlock		F17 2.75"/2.5"	\$290	310
HD18.xxx.Suffix*	Single Key Deadlock		F18 2.75"/2.5"		
HD19.xxx.Suffix*	Privacy, Bedroom or Bathroom	Lever x Lever	F19 2.75"/2.5"	\$320	340
HD20.xxx.Suffix*	Entrance or Apartment	Lever x Lever	F20 2.75"/2.5"	\$360	380
HD21.xxx.Suffix*	Dormitory Entrance or Storeroom	Lever x Lever	F21 2.75"/2.5"	\$360	380

Suffix* - see chart at left for handing and backset designation

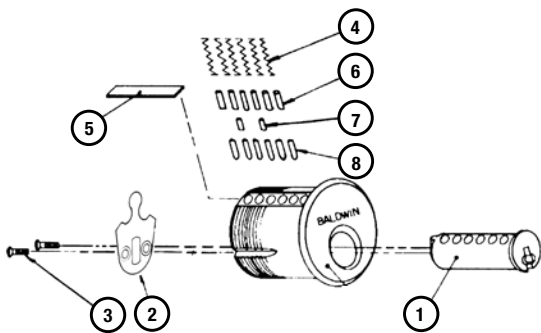
Mortise Locks NOT available in Distressed finishes, non-distressed equalavalents 402=102, 412=112, 452=152

Tier 1 Finishes: 030, 031, 033, 034, 038*, 040, 050, 060, 102, 112, 150, 151, 190, 260, 264

Tier 2 Finishes: 003, 055, 056



Plug is either Satin Brass (US4) or Satin Chrome (26D)



- No. 1 – 8320.XXX.003 – Series cylinder plug. Specify length required and either US4 or 26D finish.
- No. 2 – 8300.509.EMHT – Cylinder Cam, EMHART
- No. 3 – 8300.509.004 – Mounting Screws for cam
- No. 4 – 8300.109.005 – Tumbler Springs
- No. 5 – 8300.009.0065 – Spring Covers (5 pin)
8300.009.0066 – Spring Covers (6 pin)
- No. 6 – 8320.009.101 – Top Pins (For Bottom Pins #0–#3)
8320.009.102 – Top Pins (For Bottom Pins #4–#6)
8320.009.103 – Top Pins (For Bottom Pins #7–#9)
- No. 7 – 8320.009.202 #2 Master Pins - .0295" (0.749mm)
8320.009.203 #3 Master Pins - .0445" (1.130mm)
8320.009.204 #4 Master Pins - .0595" (1.511mm)
8320.009.205 #5 Master Pins - .0745" (1.892mm)
8320.009.206 #6 Master Pins - .0895" (2.273mm)
8320.009.207 #7 Master Pins - .1045" (2.654mm)
8320.009.208 #8 Master Pins - .1195" (3.035mm)
8320.009.209 #9 Master Pins - .1345" (3.416mm)
- No. 8 – 8320.152.300 #0 Bottom Pins - .1655" (4.204mm)
8320.152.301 #1 Bottom Pins - .1805" (4.585mm)
8320.152.302 #2 Bottom Pins - .1955" (4.966mm)
8320.152.303 #3 Bottom Pins - .2105" (5.347mm)
8320.152.304 #4 Bottom Pins - .2255" (5.728mm)
8320.152.305 #5 Bottom Pins - .2405" (6.109mm)
8320.152.306 #6 Bottom Pins - .2555" (6.489mm)
8320.152.307 #7 Bottom Pins - .2705" (6.871mm)
8320.152.308 #8 Bottom Pins - .2855" (7.252mm)
8320.152.309 #9 Bottom Pins - .3005" (7.633mm)

SINGLE CYLINDER

Item #	Description	Tier 1	Tier 2
8321.xxx.EMHT	1" Mortise Cyl.		
8322.xxx.EMHT	1.125" Mortise Cyl.		
8323.xxx.EMHT	1.25" Mortise Cyl.	\$50	55
8324.xxx.EMHT	1.375" Mortise Cyl.		
8325.xxx.EMHT	1.5" Mortise Cyl.		
8326.xxx.EMHT	1.625" Mortise Cyl.		
8327.xxx.EMHT	1.75" Mortise Cyl.		
8328.xxx.EMHT	2" Mortise Cyl.	\$110	115
8329.xxx.EMHT	2.25" Mortise Cyl.		
8330.xxx.EMHT	2.5" Mortise Cyl.		

DOUBLE CYLINDER

Item #	Description	Tier 1	Tier 2
8321.xxx.DMHT	1" Double Cyl.		
8322.xxx.DMHT	1.125" Double Cyl.		
8323.xxx.DMHT	1.25" Double Cyl.	\$100	110
8324.xxx.DMHT	1.375" Double Cyl.		
8325.xxx.DMHT	1.5" Double Cyl.		
8326.xxx.DMHT	1.625" Double Cyl.		
8327.xxx.DMHT	1.75" Double Cyl.		
8328.xxx.DMHT	2" Double Cyl.	\$220	230
8329.xxx.DMHT	2.25" Double Cyl.		
8330.xxx.DMHT	2.5" Double Cyl.		

Cylinders NOT available in Distressed finishes, non-distressed equivalents 402=102, 412=112, 452=152

Tier 1 Finishes: 030, 031, 033, 034, 038*, 040, 050, 060, 102, 112, 150, 151, 190, 260, 264

Tier 2 Finishes: 003, 055, 056

*Finish will be discontinued December 2011.

BALDWIN®

ACCOUNT NUMBER: _____

COMPANY NAME: _____

IPO NUMBER: _____

QUOTE: _____

JOB NAME: _____

SPECIAL INSTRUCTIONS: _____

DOOR HARDWARE

LINE #	PRODUCT	OUTSIDE TRIM	CYL. COLLAR (SECTIONAL ONLY)	OUTSIDE LEVER	OUTSIDE FINISH	INSIDE TRIM	TURN PIECE (SECTIONAL ONLY)	INSIDE LEVER	INSIDE FINISH	INSIDE TURN KNOB/TURN PIECE	BACKSET	DOOR THICKNESS	MORTISE FUNCTION
1										N/A			
2										N/A			
3										N/A			
4										N/A			
5										N/A			
6										N/A			
7										N/A			
8										N/A			
9										N/A			
10										N/A			
11										N/A			
12										N/A			
13										N/A			
14										N/A			
15										N/A			
16										N/A			
17										N/A			
18										N/A			
19										N/A			
20										N/A			

CUSTOMER SERVICE TOLL FREE LINE:

Monday-Friday 8:00 am to 5 pm EST

800.437.7448 FAX: 800.255.9785

COMMERCIAL WORK ORDER

DATE: _____

DELIVERY ADDRESS: _____

PHONE: _____

FAX: _____

CONTACT: _____

HANDLING OPTION	CYLINDER?	MASTER KEYED?	CONST. KEYED?	KEYED ALIKE?	KEY CODE	CYLINDER	PART NUMBER	QTY	LIST PRICE	EXT. PRICE
						0			N/A	N/A
						0			N/A	N/A
						0			N/A	N/A
						0			N/A	N/A
						0			N/A	N/A
						0			N/A	N/A
						0			N/A	N/A
						0			N/A	N/A
						0			N/A	N/A
						0			N/A	N/A
						0			N/A	N/A
						0			N/A	N/A
						0			N/A	N/A
						0			N/A	N/A
						0			N/A	N/A
						0			N/A	N/A
						0			N/A	N/A
						0			N/A	N/A
						0			N/A	N/A
						0			N/A	N/A
						0			N/A	N/A
						0			N/A	N/A
						0			N/A	N/A
						0			N/A	N/A
						0			N/A	N/A
						0			N/A	N/A

CONDITIONS

OF SALE

TERMS: 2%/10 Days, Net/30

SHIPMENTS: U.S. customers - F.O.B. Charlotte, NC or Reading, Pa. Full freight allowed on purchase orders of \$1,000 net invoice value, sent through routing of our selection. Delivery is made to curb or dock side only. Freight allowed shipments to Alaska will be prepaid to Seattle, to Hawaii will be prepaid to San Francisco, and to Puerto Rico will be prepaid to Miami. Upon delivery to the transportation company, shipments become the property of the purchasers, who assume full risk for loss or damage in transit.

International Customers - Orders of \$1,000 net invoice value will ship FCA to city specified on the commercial invoice. Orders of less than \$1,000 net value will ship EXW. Exceptions will be subject to the INCO terms stated on the commercial invoice. Canadian customers should contact their sales reps for variations to these terms.

CLAIMS: All claims, whether referring to errors in prices, or in filling orders or for defective goods, must be submitted IN WRITING within 30 days after receipt of shipment. Tracing of all lost shipments must be submitted IN WRITING within 30 days or the liability and risk is placed on the purchasers. All issued documents by a carrier confirming receipt of a shipment must be honored by the purchasers.

RETURNED GOODS: Returned goods will not be accepted unless authorized in writing by Baldwin within 120 days of invoice date. A minimum 25% handling charge and freight will be charged on all stock items returned in original condition. Special and custom products are not returnable for credit. An 80% handling charge will be imposed on products damaged. No credit will be given for items returned without written authorization, nor will the items be returned to the customer. Authorized returns become void after a period of 30 days from issue date of the Returned Goods Authorization. All credit returns must be shipped to us, FREIGHT PREPAID.

ORDERS: Orders of less than \$250.00 net will automatically incur a \$15.00 surcharge. Most orders for stock items will be shipped within four (4) weeks from receipt of order. To expedite customer orders, items unavailable from stock at time of shipment will be back-ordered unless otherwise noted by customer. Quantities of a particular item will be rounded to the next full box quantity without incurring any obligations for credit. We reserve the right to decline the whole or part of orders in which the price, finishes or quantity of goods is not satisfactory to us. We reserve the right to discontinue items or change specifications at any time without notice and without incurring any obligations. The corporation cannot be liable for extended delivery dates which may result in the cancellation of an order.

CANCELLATIONS: While Baldwin will attempt to comply with customer's telephone or written change orders and/or cancellations, we cannot guarantee that they can be accomplished before shipment. Appropriate handling charges on returns will be exercised if the order has been shipped before processing a change order request.

PRICES: The price list in effect on the date customer order is received will determine billing price. Orders requiring delivery in excess of three (3) months will be billed at prices in effect at time of shipment, unless quoted to the contrary in writing by our company.

Orders being held by Baldwin because of account credit status may be repriced to the price in effect the day the order is released by the Baldwin Credit Department.

TEMPLATES: Kick Plates and custom formed Push and Pull Bars are not made to template. If required, the actual products will be forwarded to the door manufacturer. Templates of catalog products are available upon request.

SPECIFICATIONS: Packing, weights, measurements, and design are subject to change without notice.

SPECIAL FINISHES: For availability and pricing of finishes other than those listed, consult the Hardware Technical Services Department.

SPECIAL FABRICATION: Items of Special Manufacture are not cancelable after a period of 72 hours from receipt of an order. A cancellation of this nature will result in a penalty charge equal to the total expenses incurred on the product. Delivery on orders of special fabrication cannot be guaranteed due to variables beyond our control. The corporation cannot be liable for extended deliveries on special orders and consequently, are not cancelable.

LIMITED LIFETIME MECHANICAL WARRANTY: Baldwin warrants that each Baldwin product shall be free from mechanical defects for a period of 3 years from time of purchase.

LIMITED LIFETIME FINISH™ WARRANTY: The Baldwin Lifetime Finish uses advanced finishing technology (physical vapor deposition) to create a finish highly resistant to the effects of weather and normal wear and tear. The Limited Lifetime Finish Warranty on Lifetime Finish™ products covers the original purchaser for as long as you own your home.

LIMITED FINISH WARRANTY: The finish on Baldwin products (excluding Lifetime Finish and living finish products) is protected by a durable topcoat designed to maintain the beauty and quality of the Baldwin product. The Baldwin Limited Finish Warranty covers the original purchaser for five years from date of purchase for interior use and one year for exterior use.

LIVING FINISHES: Due to the nature of Baldwin living finish products, they will wear over time and may already have begun the process before reaching your home. No finish warranty is offered on living finish products, which are designed to age and improve over time. Living finishes include raw brass, oil rubbed bronze, stainless steel, and other non-lacquered or non-PVD finishes.

IMPORTANT! You must install Baldwin strikeplate or your warranty is void.

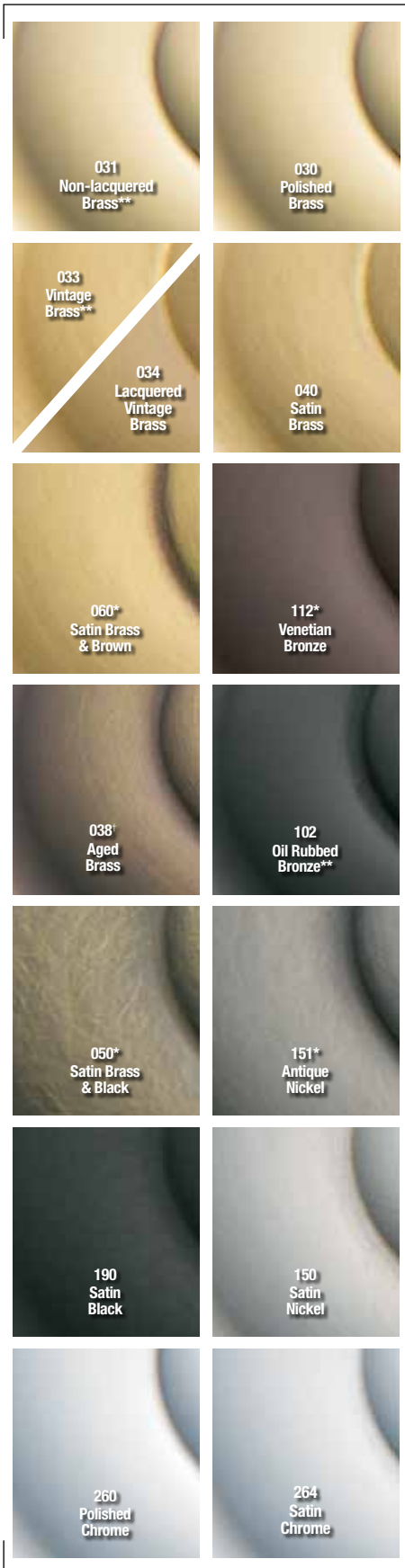
Except as expressly provided in this warranty to the contrary, (a) BALDWIN MAKES NO, AND DISCLAIMS ALL, WARRANTIES, REPRESENTATIONS AND GUARANTEES (WHETHER EXPRESS, IMPLIED OR STATUTORY), INCLUDING, BUT NOT LIMITED TO, ANY IMPLIED WARRANTY OF MERCHANTABILITY OR FITNESS FOR A PARTICULAR PURPOSE, AND (b) BALDWIN SHALL NOT BE OBLIGATED OR LIABLE FOR LABOR OR OTHER COSTS RELATED TO INSTALLATION, REPAIR OR REPLACEMENT OR FOR LOSS OF, OR DAMAGE TO, ANY MATERIAL WHICH IS NOT SOLD BY BALDWIN. IN NO EVENT SHALL THE DURATION OF ANY IMPLIED WARRANTY OF MERCHANTABILITY OR FITNESS FOR A PARTICULAR PURPOSE BE LONGER THAN the lifetime of the applicable product or for as long as the original purchaser owns the product. This warranty is the only express warranty provided by Baldwin. No employee, representative or agent nor any other person has authority to assume or incur on behalf of Baldwin any obligation or liability in place of or in addition to this warranty.

Each of Baldwin's direct customers shall receive any claims and take delivery of any allegedly defective Baldwin products from the consumers and shall communicate and otherwise cooperate in a reasonable manner with Baldwin concerning the administration, processing and remedying of such claims, including, but not limited to, delivering repaired or replacement Baldwin products or, in the appropriate case, purchase price refunds to consumers. Please Note: The limited warranty on all locks or latches is void if used in combination with knobs, levers or trim of other than those manufactured by Baldwin and designated for use with the applicable locks or latches.

STANDARDS OF EXCELLENCE: Baldwin Hardware Corporation has produced a range of products in accordance to the HIGHEST AMERICAN STANDARDS OF QUALITY AND EXCELLENCE. All brass products are manufactured from the finest quality brass obtainable; however, these products are susceptible to indentation and imperfections due to the malleability of the material and the elements of human intervention when crafting the product. Although our internal safeguards protect us against shipping products of unacceptable quality, an imperfection or surface blemish may be considered the highest Quality Standard obtainable on a particular product. Baldwin is committed to producing each item to the most stringent guidelines and quality of human ability and excellence; however, all final decisions of Quality remain exclusively in the authorization of the Corporation. While Baldwin makes every effort to provide an accurate price list, we are not responsible for errors and/or omissions which may appear. Customers will be invoiced the actual price on all orders.

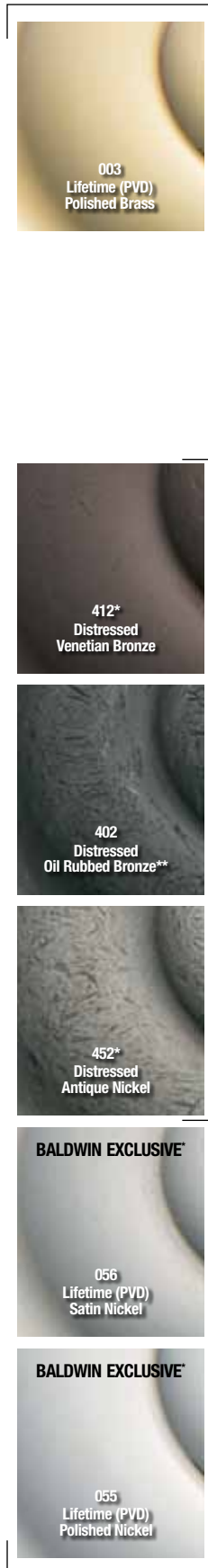
BALDWIN FINISHES

TIER 1



TIER 1

TIER 2



TIER 2

† 038 will be discontinued Decemeber 2011

DISTRESSED FINISHES:

Not all hardware is available Distressed. The rugged tumbling process would damage some components. In cases where distressing is not possible, the equivalent non-distressed finish will be provided.

412 = 112

402 = 102

452 = 152 Antique Nickel with Matte laqguer (151 has gloss laqguer)

Hardware NOT available distressed includes:

- > All mortise locks, cylinders, latches, strikes
- > Certain levers & handleset trim (noted on those pages)

* (038, 050, 060, 112, 151, 412, 452)

Product finishes which are HAND RELIEVED may vary in luster, hue and appearance as a result of handcrafted variances in the final finishing step.

(031, 033, 102, 320, 324, 402)

** Product finishes which are LIVING will vary over time. They are not eligible for finish warranty.

TIER 1 FINISHES: STAINLESS STEEL HARDWARE ONLY



Baldwin #	US #	BHMA #
030 =	3	605
031 =	3NL	-
040 =	4	606
050 =	5	609
060 =	6	608
102 =	10B	613
150 =	15	619
190 =	19	622
260 =	26	625
264 =	26D	626
324 =	32D	630

BALDWINHARDWARE.COM

BALDWIN®

19701 DA VINCI • LAKE FOREST, CA • 92610

1.800.437.7448

16888

©2011 BALDWIN HARDWARE CORP. READING, PA. USA