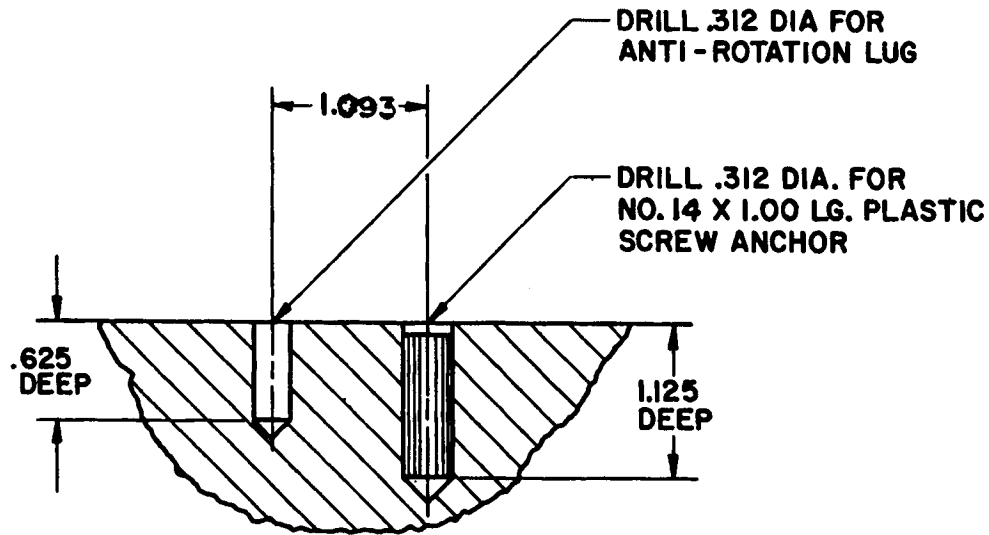


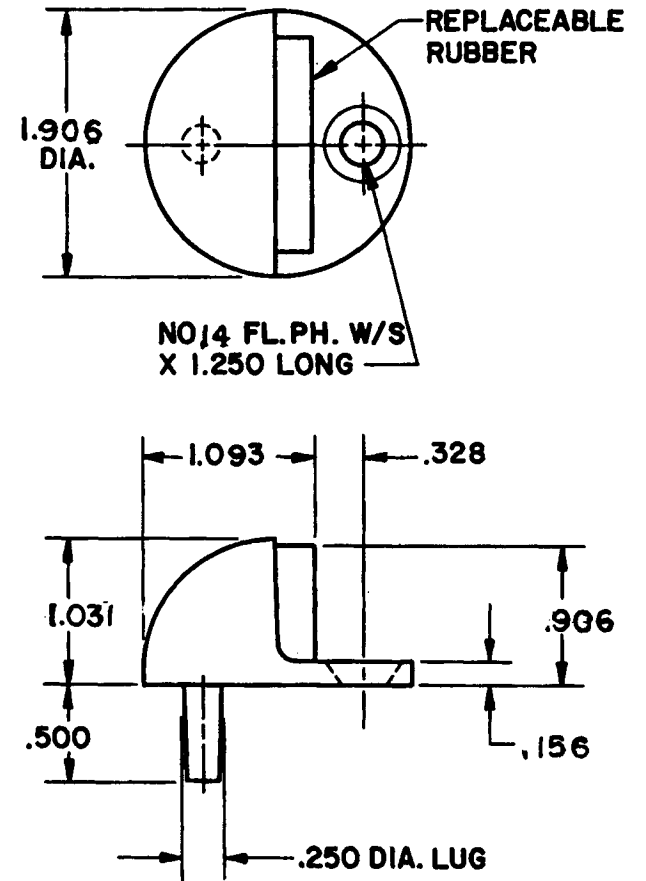
FLOOR DETAIL



NOTE:

- 1.) THIS BUMPER GENERALLY USED WITH DOORS WITHOUT A THRESHOLD.
- 2.) REFER TO RISOR TEMPLATES WHEN MOUNTING BUMPER ABOVE CARPETED FLOORS.

BUMPER DETAIL



EFFECTIVE: 1-31-91 R.A. 289

BALDWIN	
4000 FLOOR TYPE DOOR BUMPER	
TEMPLATE NO. VARIATIONS	TEMPLATE NO.
	DOOI