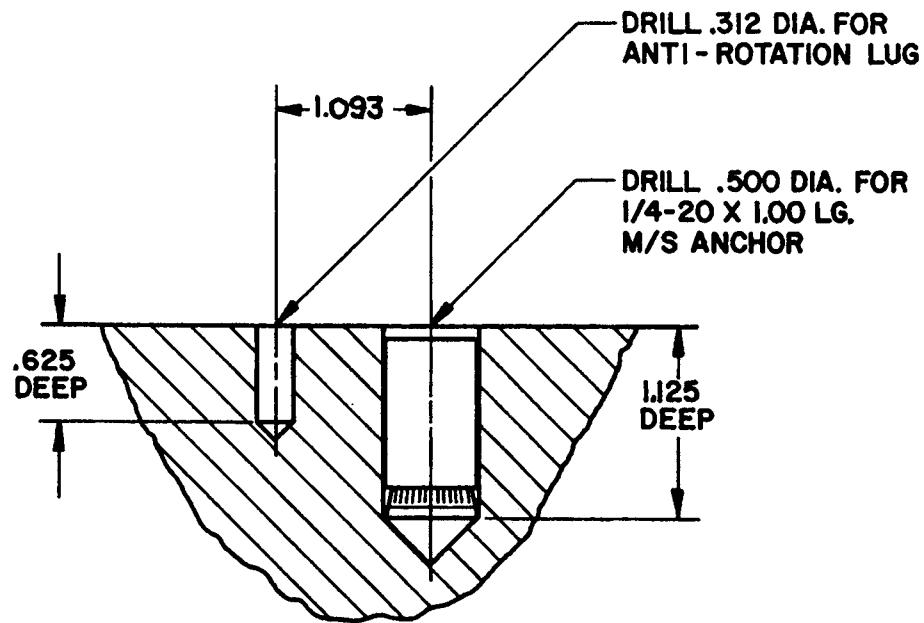


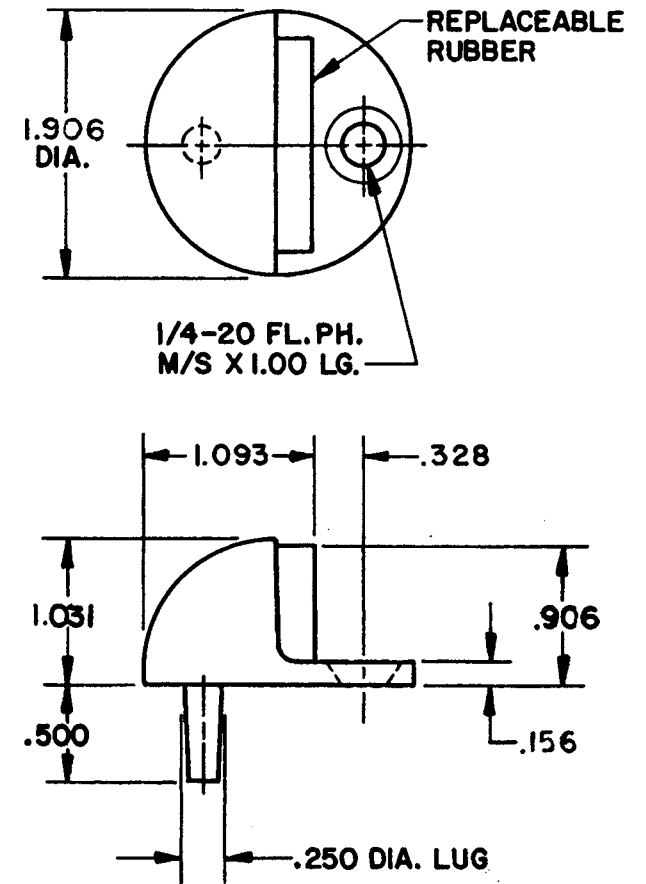
FLOOR DETAIL



NOTE:

- 1.) THIS BUMPER GENERALLY USED WITH DOORS WITHOUT A THRESHOLD.
- 2.) REFER TO RISOR TEMPLATES WHEN MOUNTING BUMPER ABOVE CARPETED FLOORS.

BUMPER DETAIL



EFFECTIVE: 1-31-91 R. Adg

B BALDWIN

4001 FLOOR TYPE DOOR BUMPER

TEMPLATE NO. VARIATIONS

TEMPLATE NO.

D002