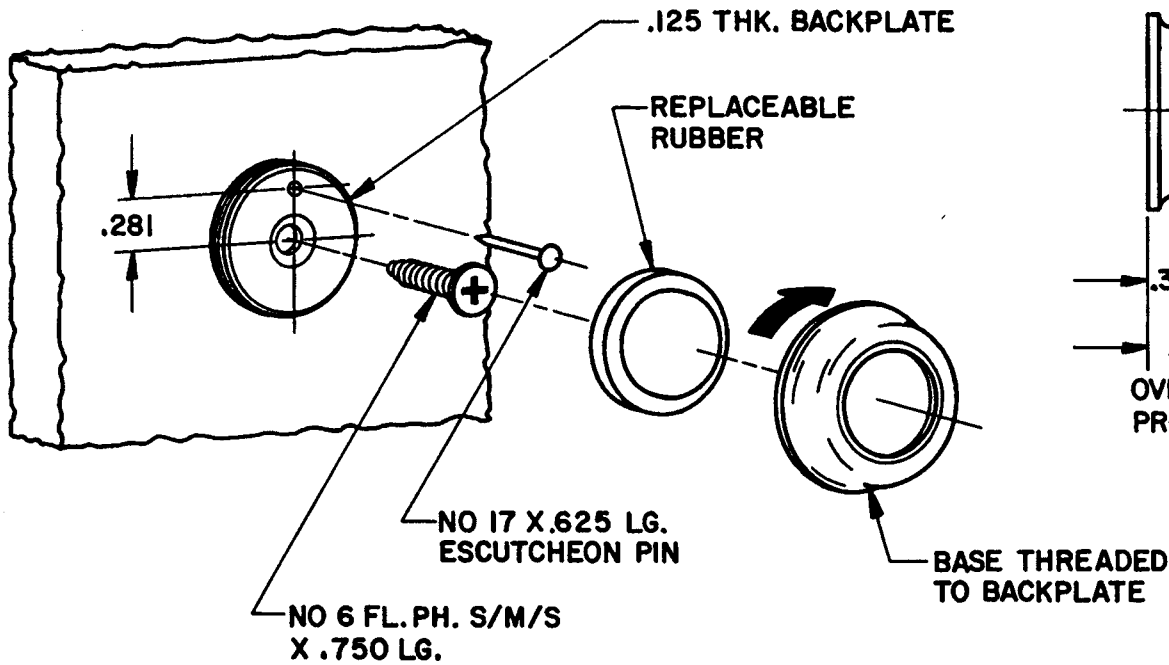
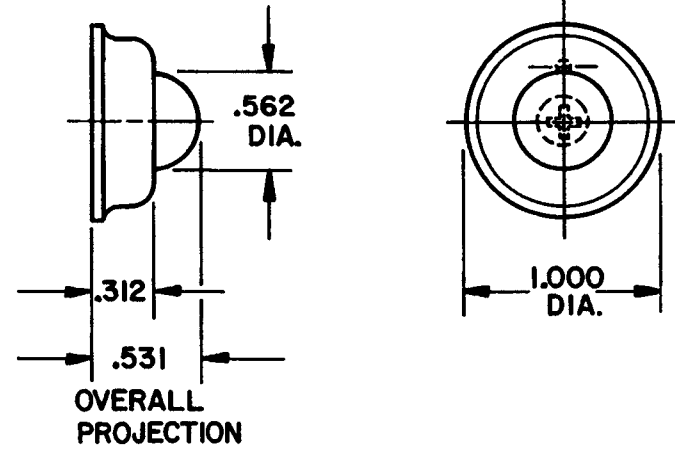



WALL DETAIL



BUMPER DETAIL



EFFECTIVE: 5-1-88
R.A.J.

 BALDWIN	
4015 FLUSH BUMPER	
TEMPLATE NO. VARIATIONS	TEMPLATE NO. DO10