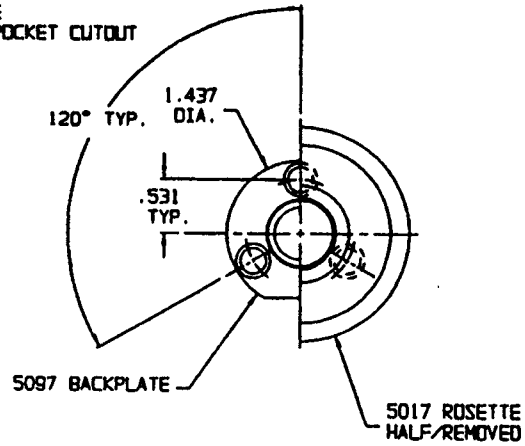
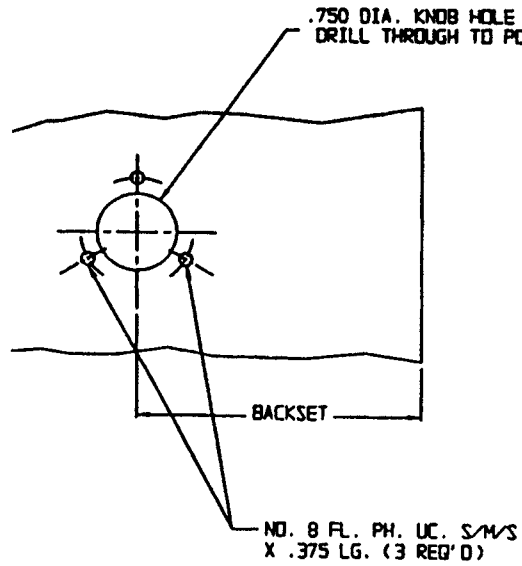
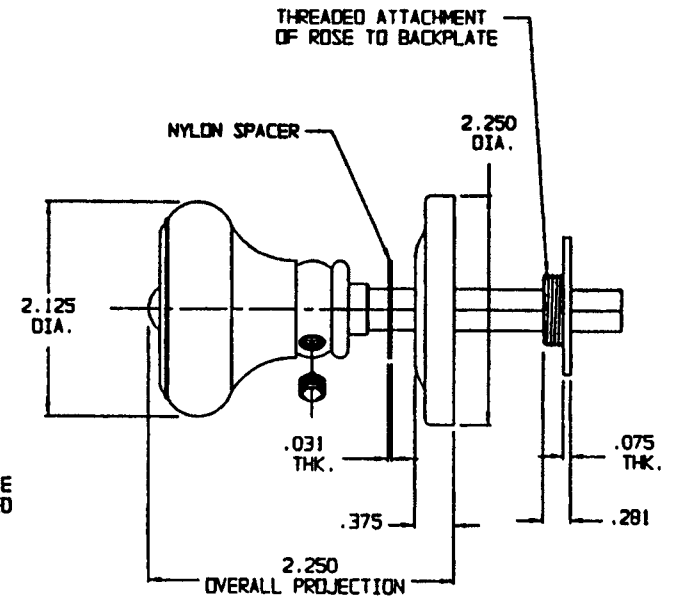


DOOR DETAIL



KNOB DETAIL



EFFECTIVE: 2-3-87

NOTE:

- 1.) FOR ADDITIONAL LOCK AND DOOR CUTOUT DIMENSIONS, SEE APPROPRIATE LOCK TEMPLATE.
- 2.) INSTALLATION PLATES ARE NOT REQUIRED FOR THIS TRIM.

DO NOT SCALE DRAWING

B. BALDWIN

5020 KNOB WITH ROSETTE

TEMPLATE NO. VARIATIONS

TEMPLATE NO.

© 1986 BY BALDWIN HARDWARE CORPORATION

F01 0A