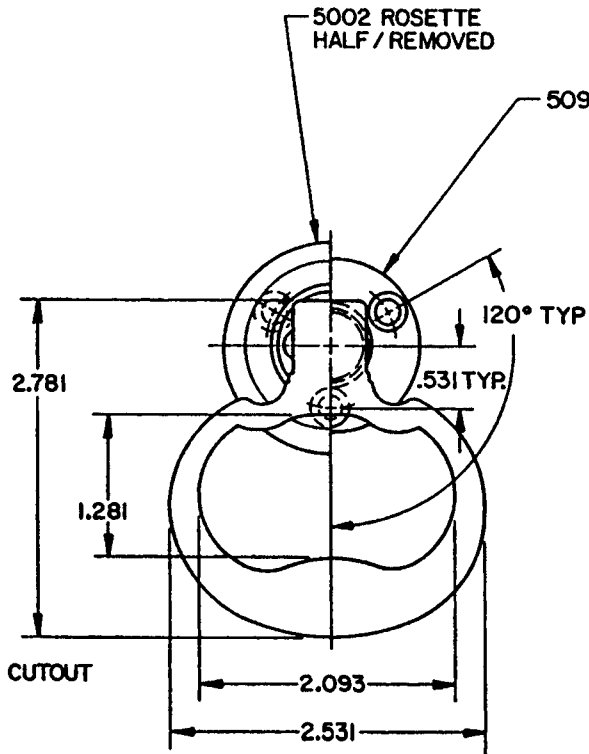
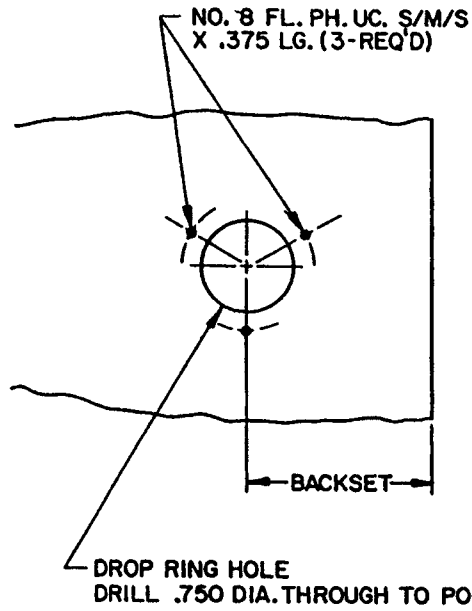
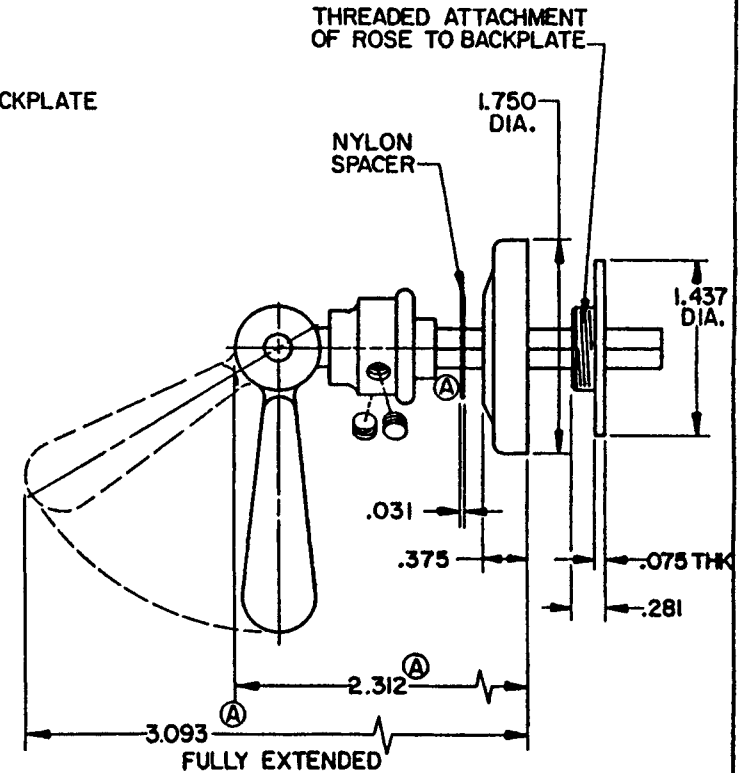


# DOOR DETAIL



# RING DETAIL



**NOTE:**

- 1.) FOR ADDITIONAL LOCK AND DOOR CUTOUT DIMENSIONS, SEE APPROPRIATE LOCK TEMPLATE.
- 2.) INSTALLATION PLATES ARE NOT REQ'D FOR THIS TRIM.

BFD/CNE: 2347

<b>B. BALDWIN</b>	
<b>5022 DROP RING</b>	
TEMPLATE NO. VARIATIONS	TEMPLATE NO.
	<b>FO15A</b>

DO NOT SCALE DRAWING

© 1986 by Baldwin Hardware Corporation