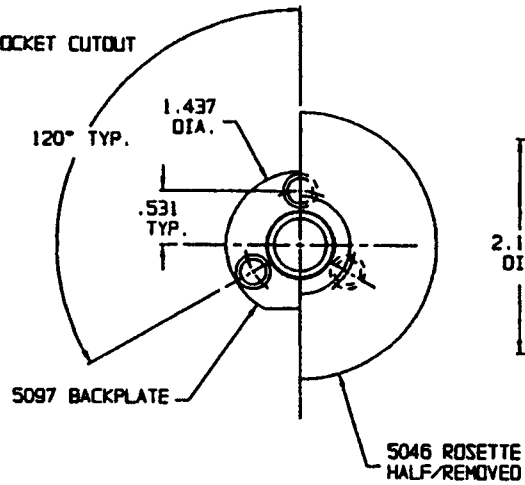
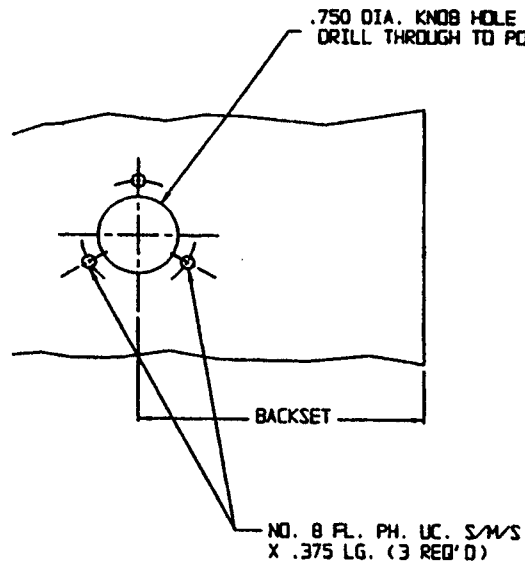
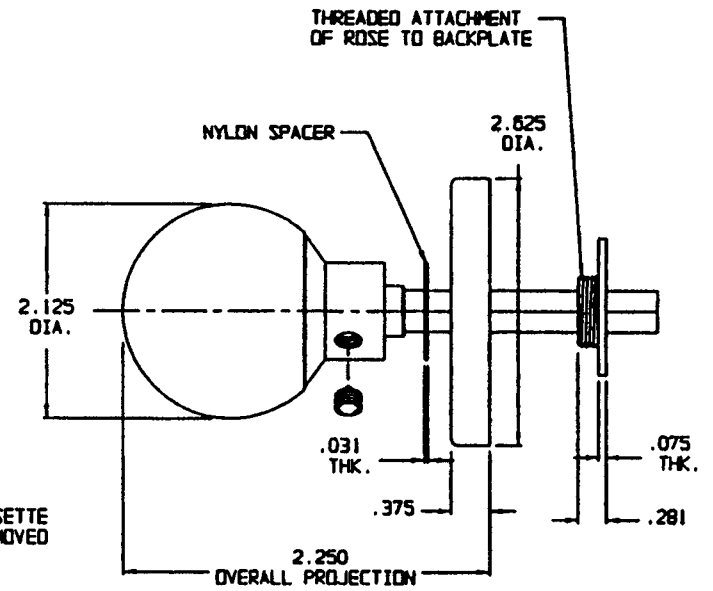


## DOOR DETAIL



## KNOB DETAIL



DO NOT SCALE DRAWING

 BALDWIN

5041 KNOB WITH ROSETTE

TEMPLATE NO. VARIATIONS

TEMPLATE NO.

© 1986 BY BALDWIN HARDWARE CORPORATION

F026A

EFFECTIVE: 2-3-97

NOTE:

- 1.) FOR ADDITIONAL LOCK AND DOOR CUTOUT DIMENSIONS, SEE APPROPRIATE LOCK TEMPLATE.
- 2.) INSTALLATION PLATES ARE NOT REQUIRED FOR THIS TRIM.