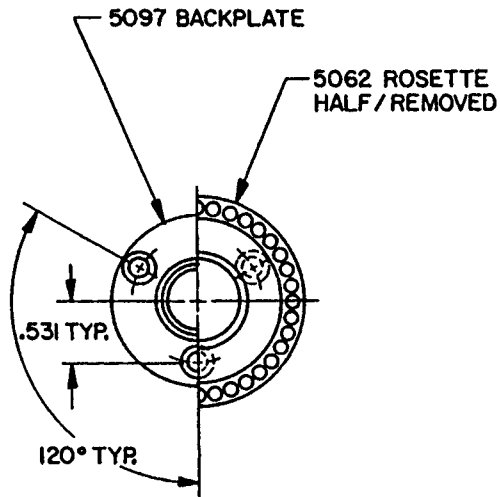
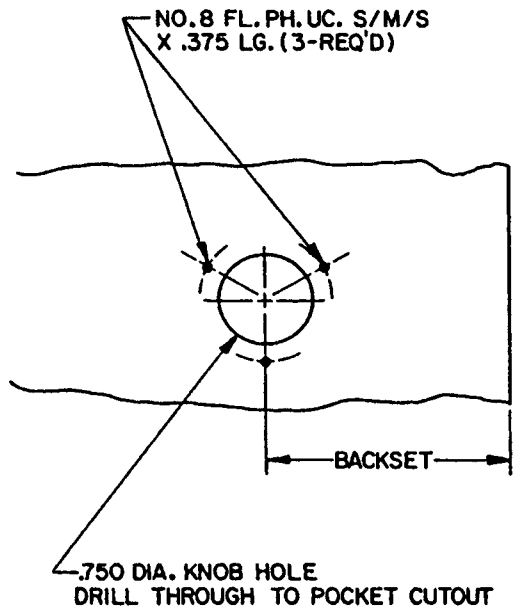
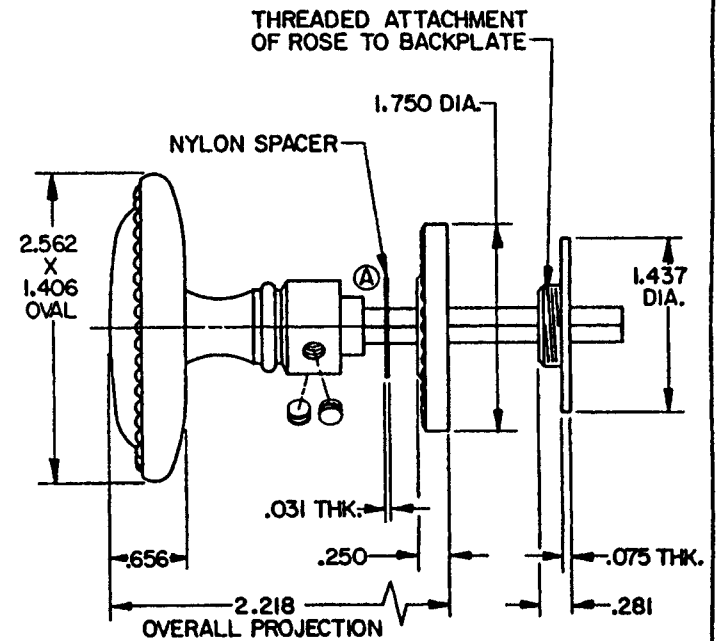


DOOR DETAIL



KNOB DETAIL



NOTE:

- 1.) FOR ADDITIONAL LOCK AND DOOR CUTOUT DIMENSIONS. SEE APPROPRIATE LOCK TEMPLATE.
- 2.) INSTALLATION PLATES ARE NOT REQUIRED FOR THIS TRIM.

EFFECTIVE 3/8/87

BALDWIN	
5060 KNOB W/ROSETTE	
TEMPLATE NO. VARIATIONS	TEMPLATE NO.
	F040A

DO NOT SCALE DRAWING

© 1986 by Baldwin Hardware Corporation