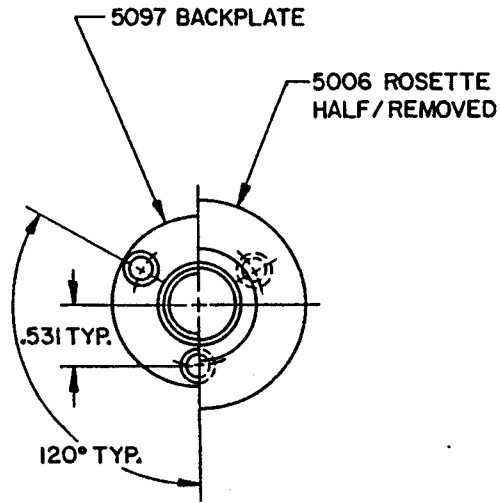
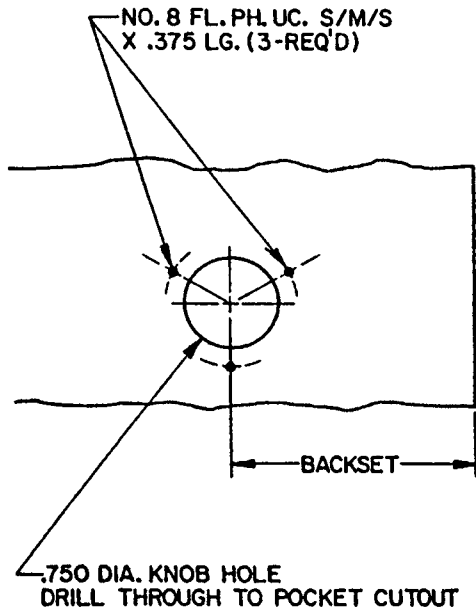
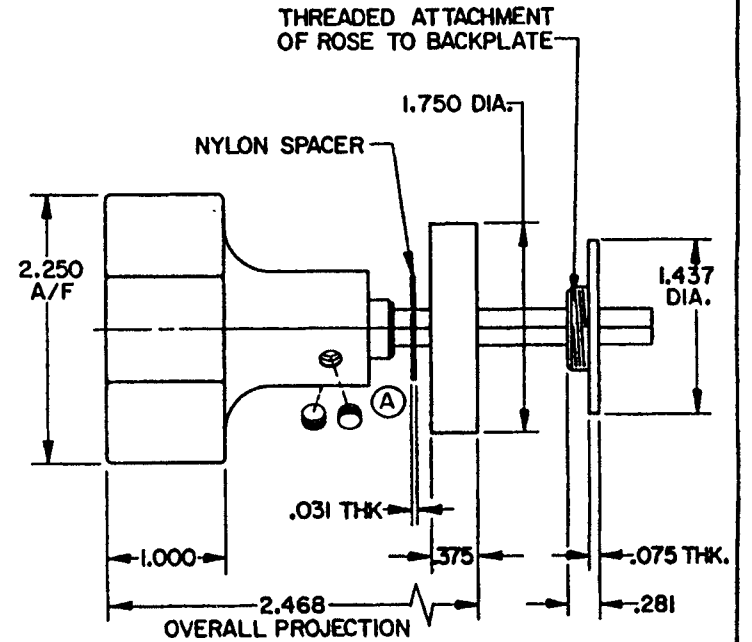


# DOOR DETAIL



# KNOB DETAIL



**NOTE:**

- 1.) FOR ADDITIONAL LOCK AND DOOR CUTOUT DIMENSIONS,  
SEE APPROPRIATE LOCK TEMPLATE.
- 2.) INSTALLATION PLATES ARE NOT REQUIRED FOR THIS TRIM.

EFFECTIVE: 3/87

<b>BALDWIN</b>	
<b>5073 KNOB W/ROSETTE</b>	
TEMPLATE NO. VARIATIONS	TEMPLATE NO.
	<b>F054A</b>

DO NOT SCALE DRAWING

© 1986 by Baldwin Hardware Corporation