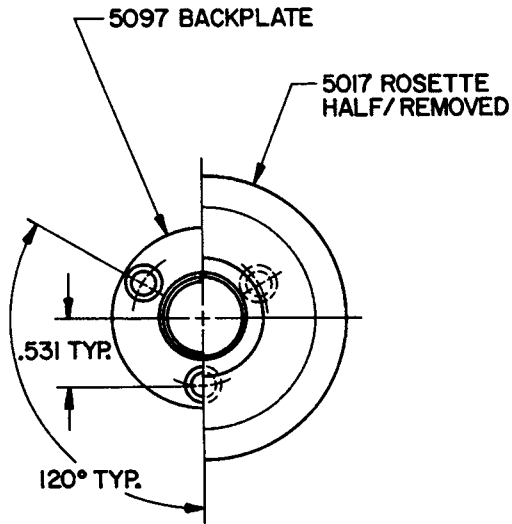
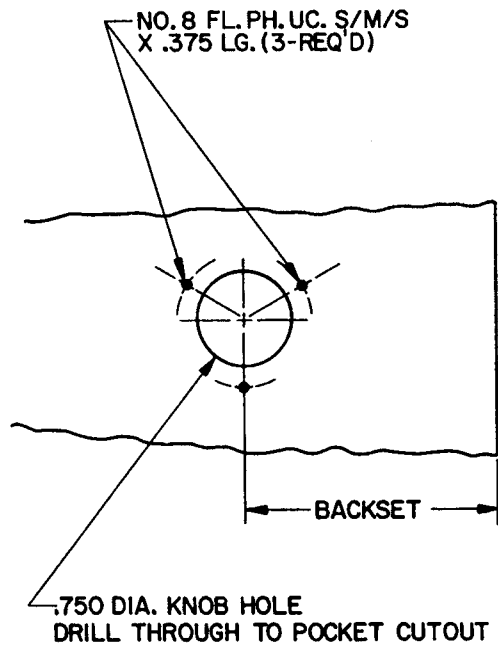
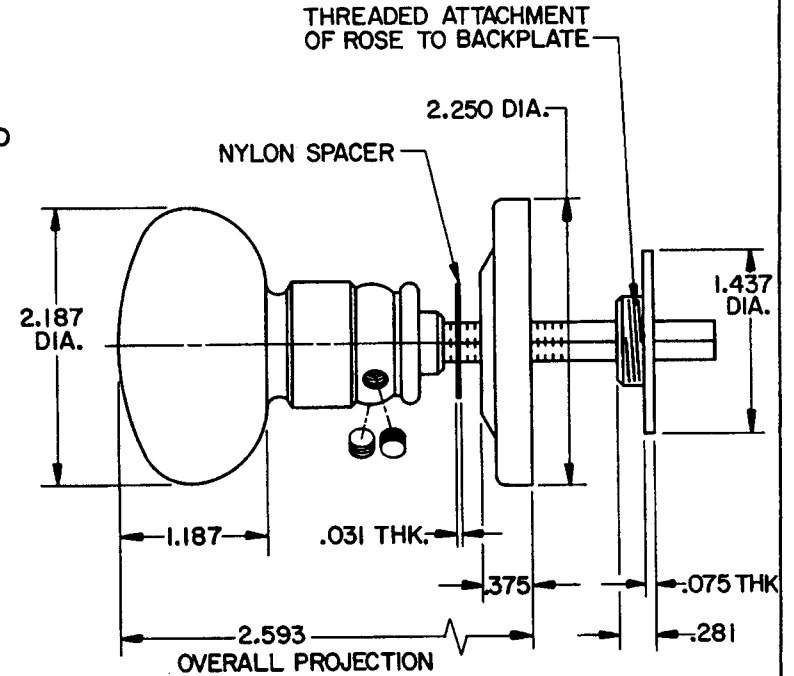


DOOR DETAIL



KNOB DETAIL



NOTE:

- 1.) FOR ADDITIONAL LOCK AND DOOR CUTOUT DIMENSIONS,
SEE APPROPRIATE LOCK TEMPLATE.
- 2.) INSTALLATION PLATES ARE NOT REQUIRED FOR THIS TRIM.

EFFECTIVE 5-1-88 P.A.S

BALDWIN	
5080 KNOB W/ROSETTE	
TEMPLATE NO. VARIATIONS	TEMPLATE NO.
	F060

DO NOT SCALE DRAWING

© 1988 by Baldwin Hardware Corporation