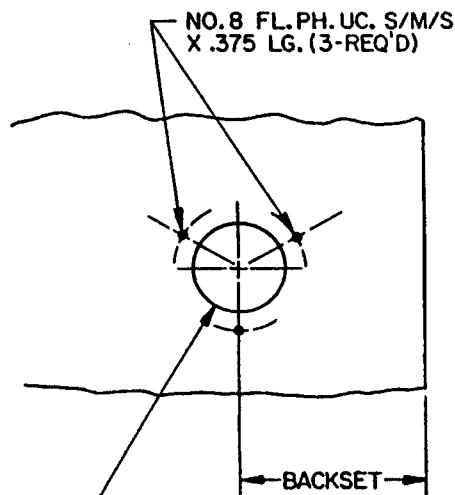


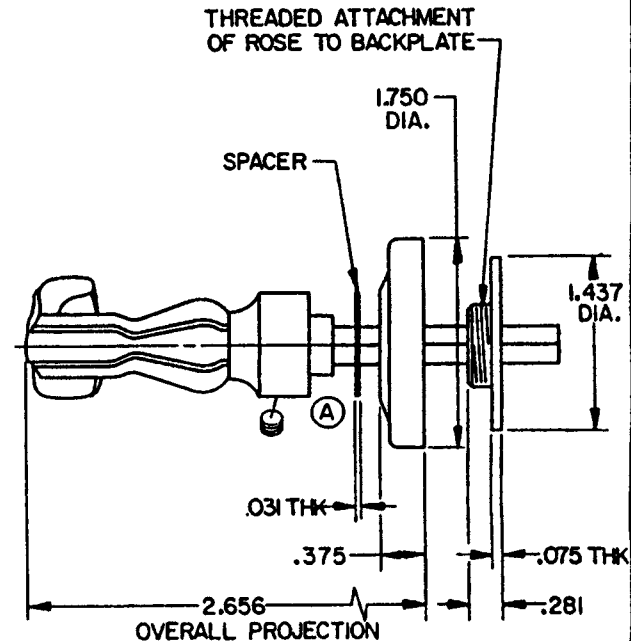
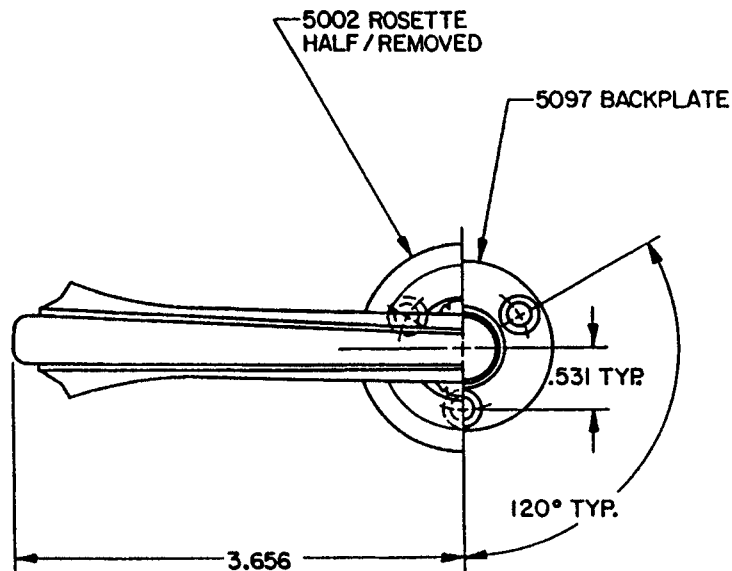
DOOR DETAIL



LEVER HOLE
DRILL .750 DIA. THROUGH TO POCKET CUTOUT

LEVER DETAIL

(LEFT HAND ILLUSTRATED)



NOTE :

- 1.) FOR ADDITIONAL LOCK AND DOOR CUTOUT DIMENSIONS, SEE APPROPRIATE LOCK TEMPLATE.
- 2.) INSTALLATION PLATES ARE NOT REQ'D FOR THIS TRIM.
- 3.) SPECIFY RIGHT OR LEFT HAND. (NOT REVERSIBLE)

EFFECTIVE 2/8/87

B. BALDWIN	
5101 LEVER W/ROSETTE	
TEMPLATE NO. VARIATIONS	TEMPLATE NO.
	F071A

DO NOT SCALE DRAWING

©1986 by Baldwin Hardware Corporation