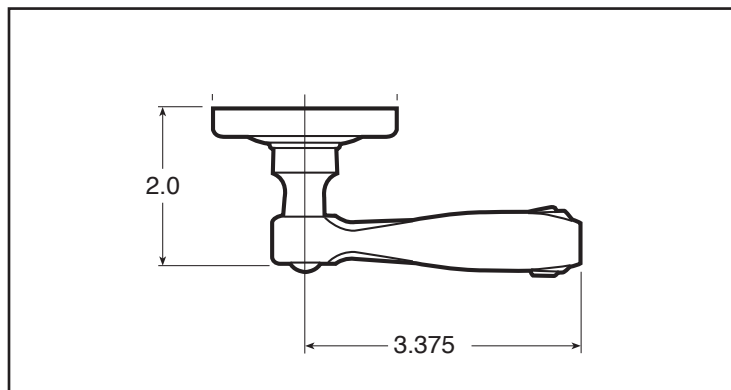


# BALDWIN®

## 5103

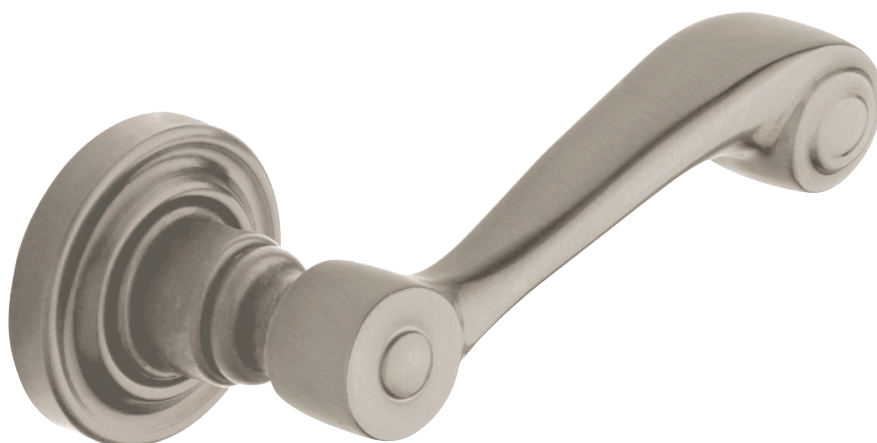
### ESTATE LEVER

SPECIFICATIONS

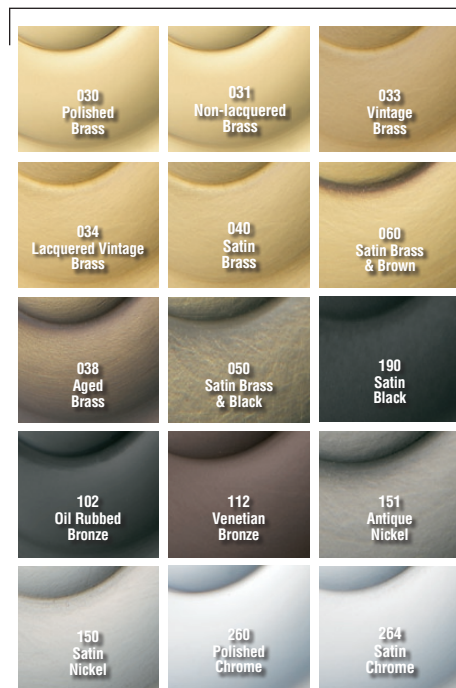


- > Accessibility Code (ADA) A117.1 for all levers.
- > Certified by Underwriters Laboratories (UL) for use on fire doors up to three-hour rating
- > U L10C / UBC 7-2 (1997) Positive Pressure Rated, UL10B Pressure Rated
- > Material: Solid Brass

SHOWN WITH ROSE 5002



#### TIER 1 FINISHES



#### TIER 2 FINISHES

