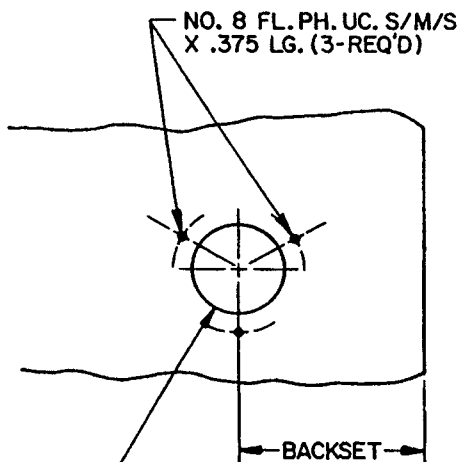
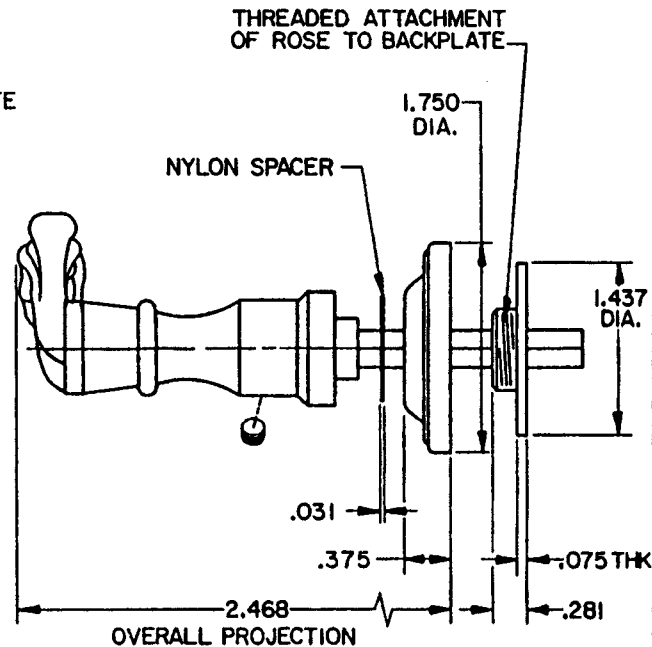
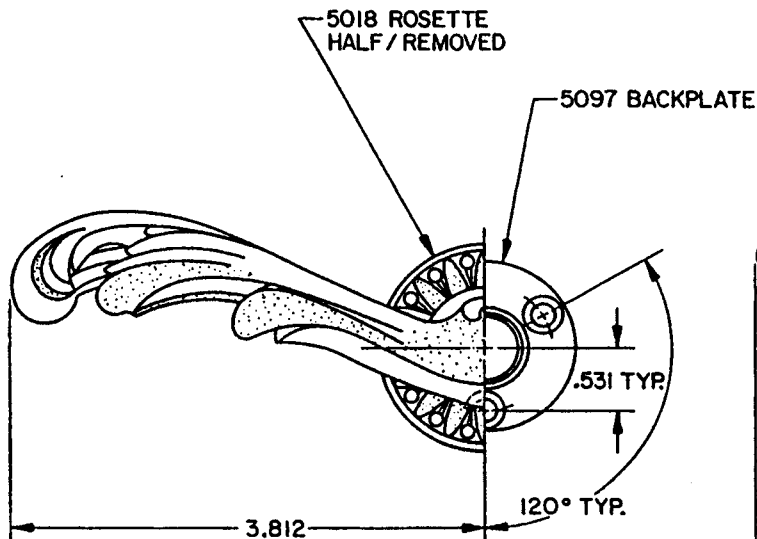


# DOOR DETAIL



# LEVER DETAIL (LEFT HAND ILLUSTRATED)



**NOTE:**

- 1.) FOR ADDITIONAL LOCK AND DOOR CUTOUT DIMENSIONS, SEE APPROPRIATE LOCK TEMPLATE.
- 2.) INSTALLATION PLATES ARE NOT REQ'D FOR THIS TRIM.
- 3.) SPECIFY RIGHT OR LEFT HAND. (NOT REVERSIBLE)

EFFECTIVE: 2/87

<b>B. BALDWIN</b>	
<b>5121 LEVER W/ROSETTE</b>	
TEMPLATE NO. VARIATIONS	TEMPLATE NO.
	<b>F104</b>

DO NOT SCALE DRAWING

© 1986 by Baldwin Hardware Corporation