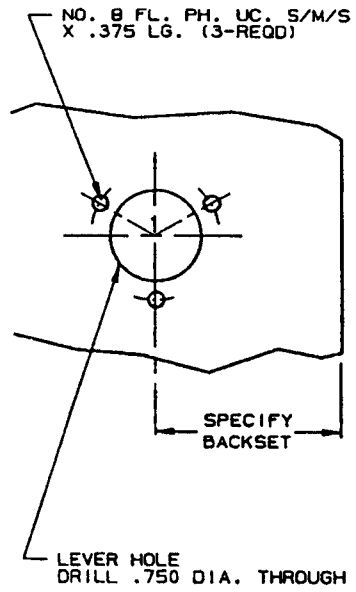
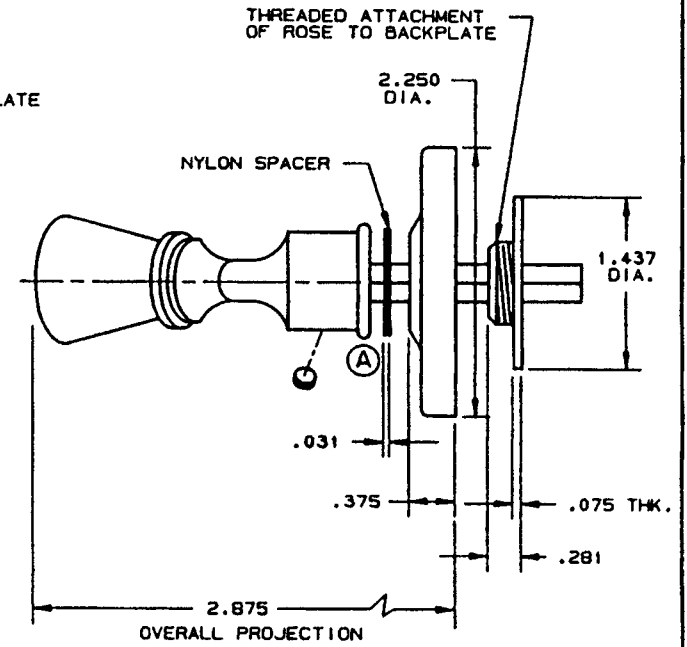
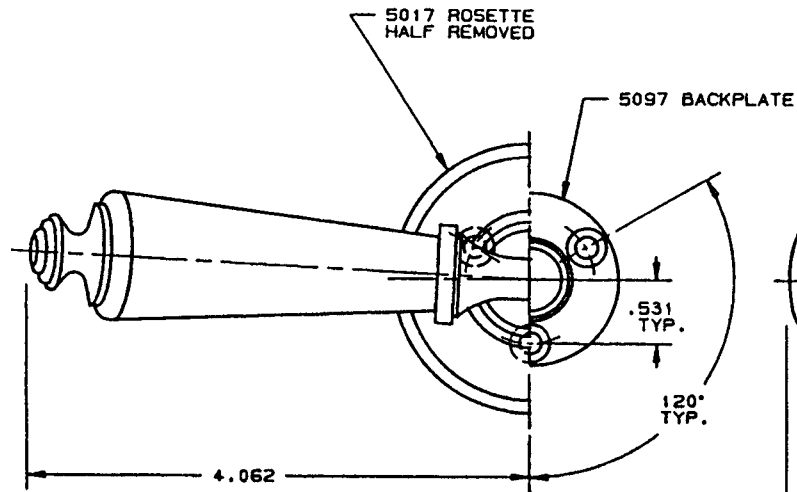


DOOR DETAIL



LEVER DETAIL

(LEFT HAND ILLUSTRATED)



NOTE:

- 1.) FOR ADDITIONAL LOCK AND DOOR CUTOUT DIMENSIONS
SEE APPROPRIATE LOCK TEMPLATE.
- 2.) INSTALLATION PLATES ARE NOT REQ'D. FOR THIS TRIM.
- 3.) SPECIFY RIGHT OR LEFT HAND. (NOT REVERSIBLE)

EFFECTIVE: 3/87

DO NOT SCALE DRAWING

B. BALDWIN	
5125 LEVER W/ROSETTE	
TEMPLATE NO. VARIATIONS	TEMPLATE NO.
	F109A