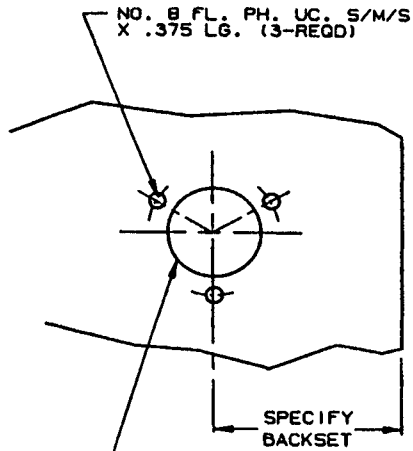


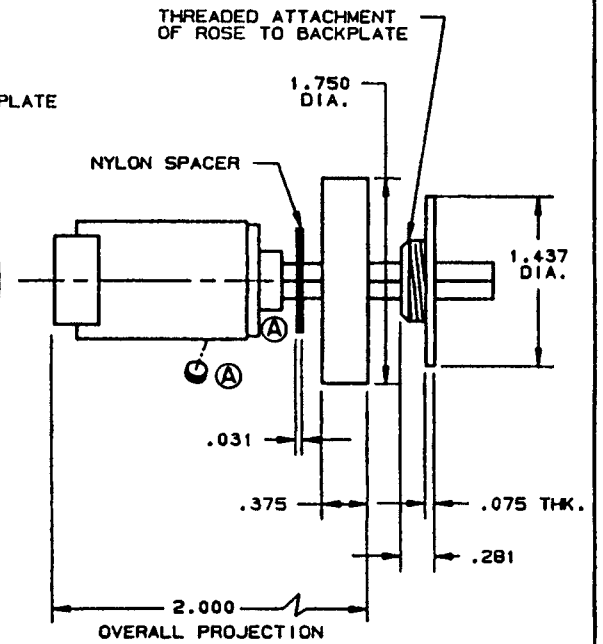
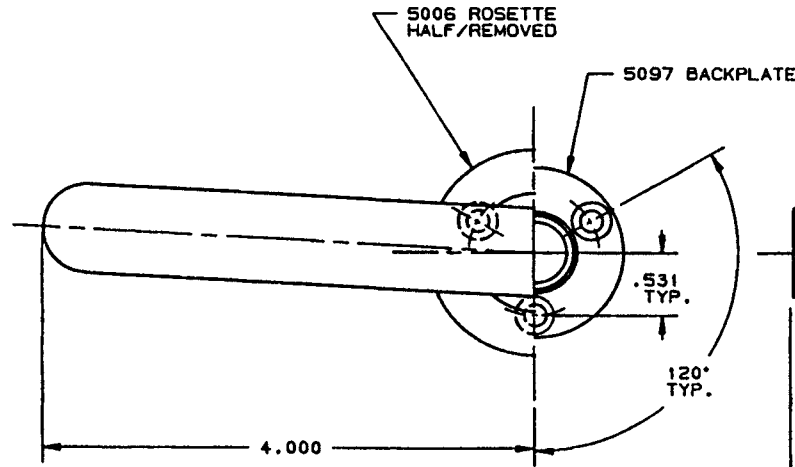
DOOR DETAIL



LEVER HOLE
DRILL .750 DIA. THROUGH TO POCKET CUTOUT

LEVER DETAIL

(LEFT HAND ILLUSTRATED)



- NOTE:
- 1.) FOR ADDITIONAL LOCK AND DOOR CUTOUT DIMENSIONS
SEE APPROPRIATE LOCK TEMPLATE
 - 2.) INSTALLATION PLATES ARE NOT REQ'D. FOR THIS TRIM.
 - 3.) SPECIFY RIGHT OR LEFT HAND. (NOT REVERSIBLE)

EFFECTIVE: 2/87

DO NOT SCALE DRAWING

BALDWIN	
5130 LEVER W/ROSETTE	
TEMPLATE NO. VARIATIONS	TEMPLATE NO.
	F117A