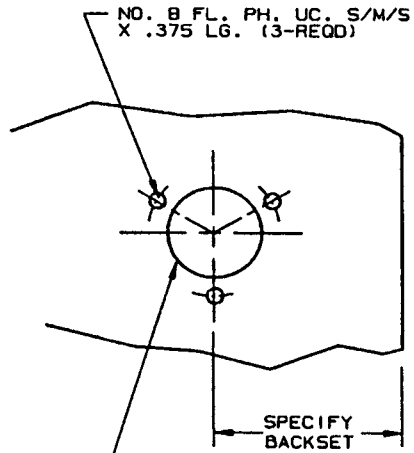


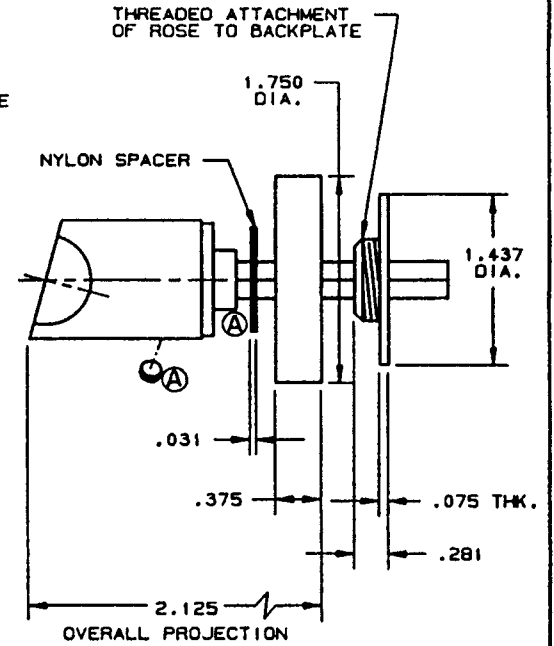
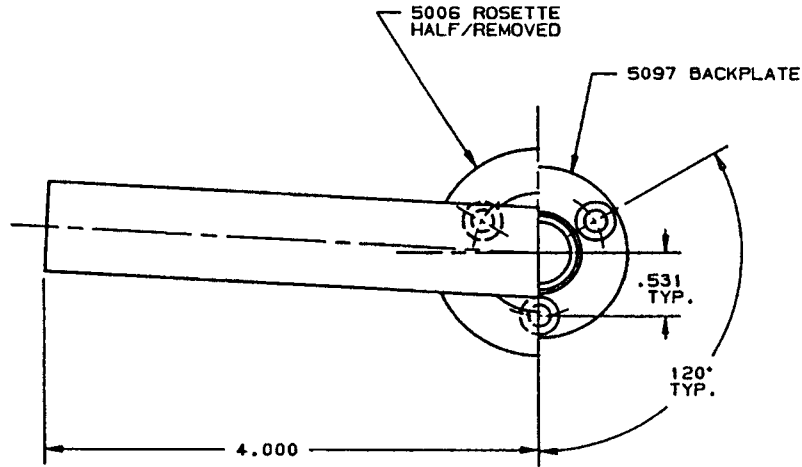
# DOOR DETAIL



LEVER HOLE  
DRILL .750 DIA. THROUGH TO POCKET CUTOUT

# LEVER DETAIL

(LEFT HAND ILLUSTRATED)



- NOTE:
- 1.) FOR ADDITIONAL LOCK AND DOOR CUTOUT DIMENSIONS  
SEE APPROPRIATE LOCK TEMPLATE.
  - 2.) INSTALLATION PLATES ARE NOT REQ'D. FOR THIS TRIM.
  - 3.) SPECIFY RIGHT OR LEFT HAND. (NOT REVERSIBLE)

EFFECTIVE: 2/2/87

DO NOT SCALE DRAWING

<b>BALDWIN</b>	
<b>5135 LEVER W/ROSETTE</b>	
TEMPLATE NO. VARIATIONS	TEMPLATE NO.
	<b>F123A</b>