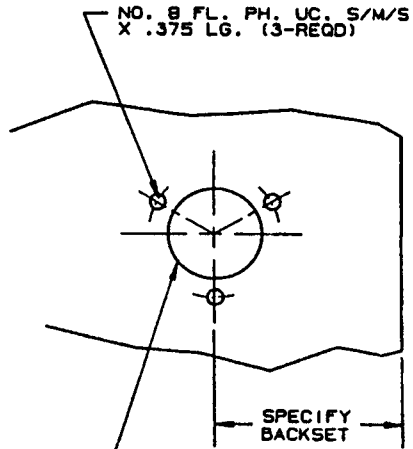


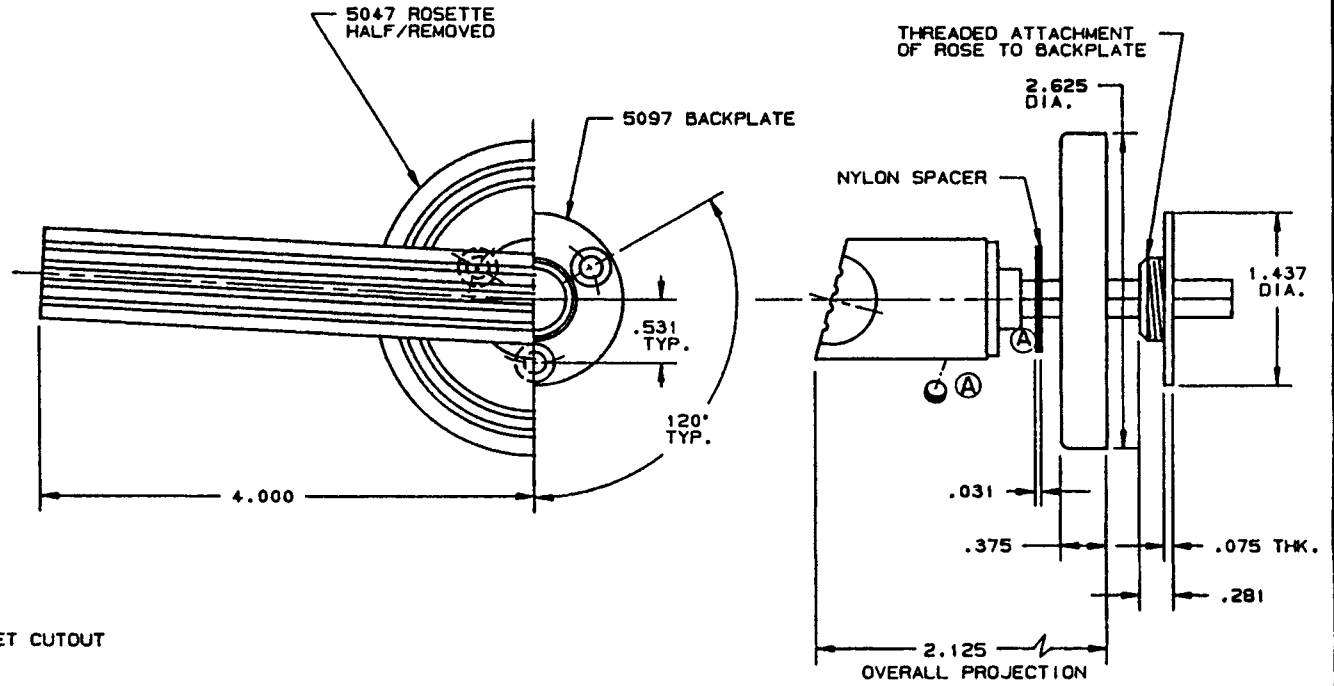
# DOOR DETAIL



LEVER HOLE  
DRILL .750 DIA. THROUGH TO POCKET CUTOUT

# LEVER DETAIL

(LEFT HAND ILLUSTRATED)



- NOTE:
- 1.) FOR ADDITIONAL LOCK AND DOOR CUTOUT DIMENSIONS SEE APPROPRIATE LOCK TEMPLATE.
  - 2.) INSTALLATION PLATES ARE NOT REQ'D. FOR THIS TRIM.
  - 3.) SPECIFY RIGHT OR LEFT HAND. (NOT REVERSIBLE)

DO NOT SCALE DRAWING

<b>B. BALDWIN</b>	
<b>5136 LEVER W/ROSETTE</b>	
TEMPLATE NO. VARIATIONS	TEMPLATE NO.
	<b>F124A</b>

ENGINEER: 33487