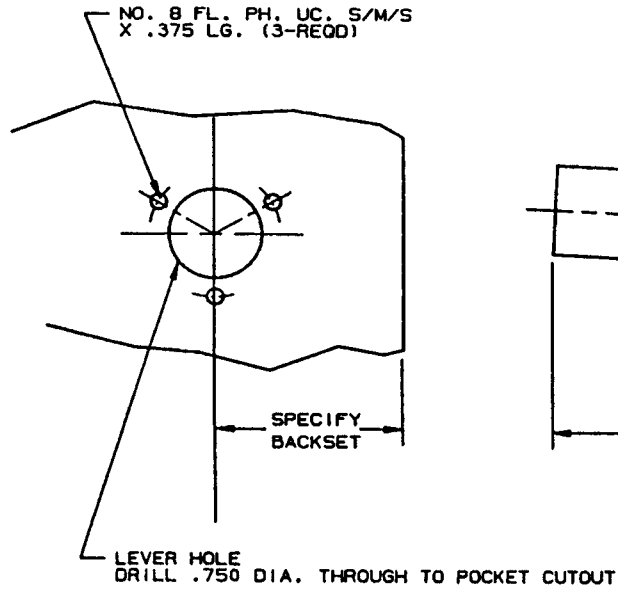
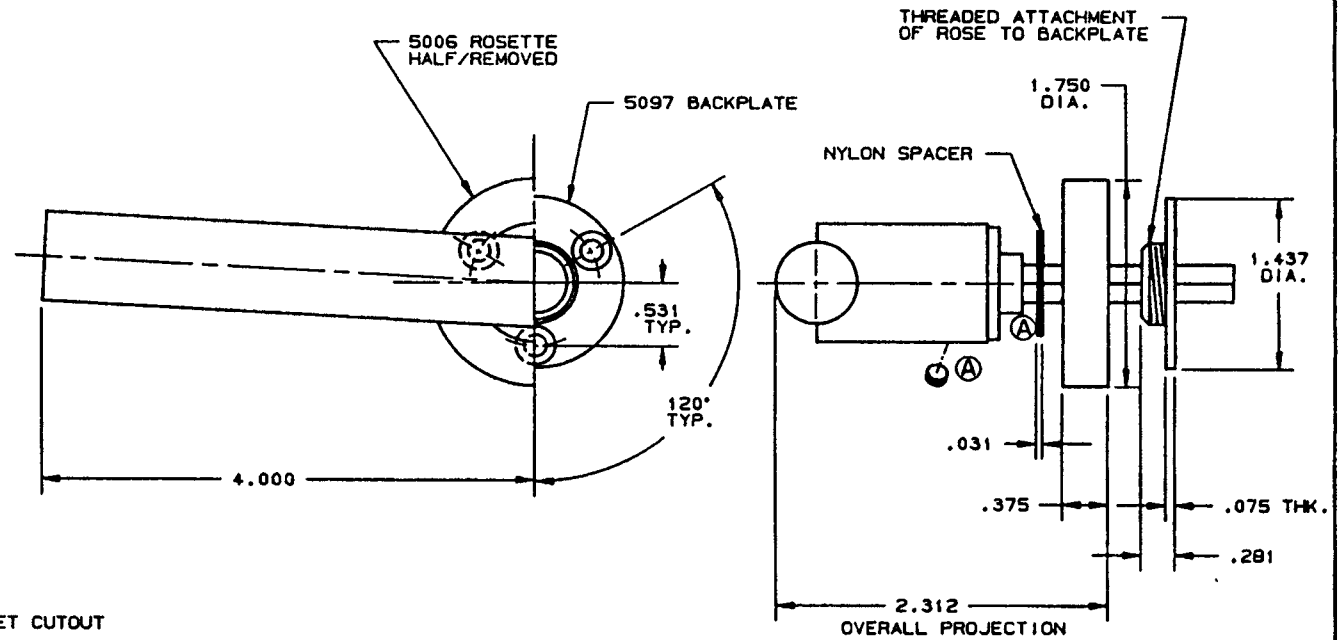


# DOOR DETAIL



# LEVER DETAIL

(LEFT HAND ILLUSTRATED)



- NOTE:
- 1.) FOR ADDITIONAL LOCK AND DOOR CUTOUT DIMENSIONS  
SEE APPROPRIATE LOCK TEMPLATE
  - 2.) INSTALLATION PLATES ARE NOT REQ'D. FOR THIS TRIM.
  - 3.) SPECIFY RIGHT OR LEFT HAND. (NOT REVERSIBLE)

EFFECTIVE 2/87

DO NOT SCALE DRAWING

<b>BALDWIN</b>	
<b>5137 LEVER W/ROSETTE</b>	
TEMPLATE NO. VARIATIONS	TEMPLATE NO.
	<b>F125A</b>