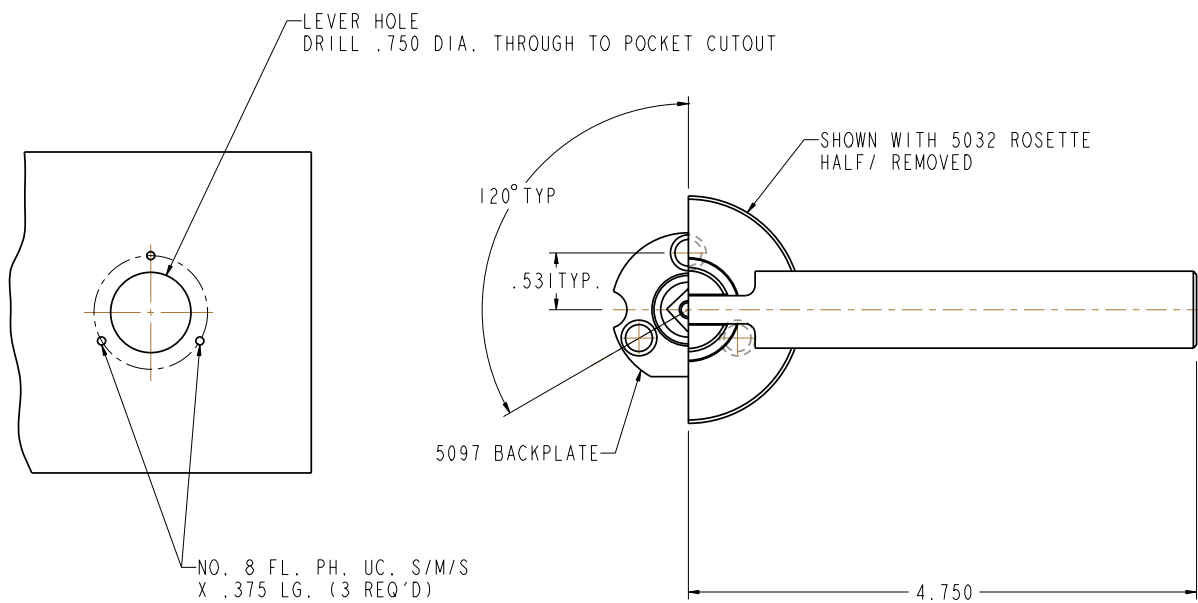
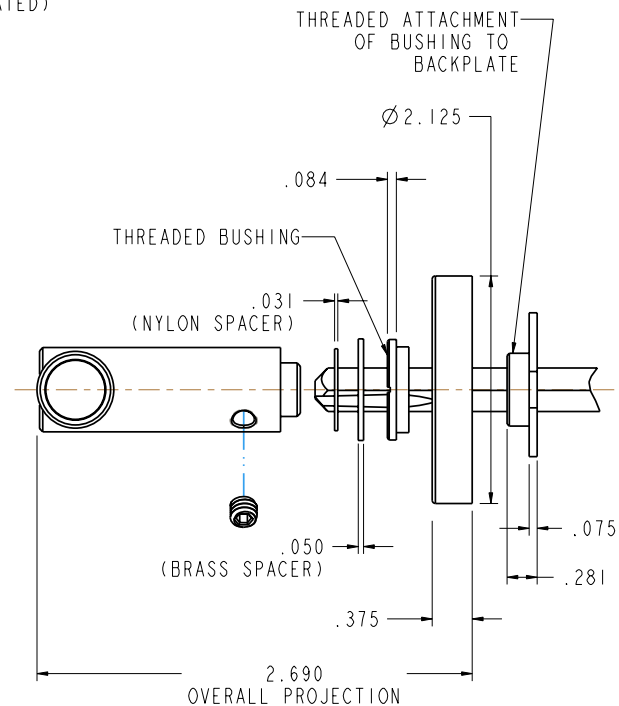


DOOR DETAIL



LEVER DETAIL

(RIGHT HAND ILLUSTRATED)



- NOTE:
1. FOR ADDITIONAL LOCK AND DOOR CUTOUT DIMENSIONS, SEE APPROPRIATE LOCK TEMPLATE.
 2. INSTALLATION PLATES ARE NOT REQ'D FOR THIS TRIM.
 3. SPECIFY RIGHT OR LEFT HAND. (NOT REVERSIBLE)

DO NOT SCALE DRAWING

	BALDWIN <small>HARDWARE CORPORATION</small> <small>READING, PENNSYLVANIA</small>	<small>A</small> BLACK & DECKER <small>COMPANY</small>
	5161 LEVER, W/ROSETTE	
TEMPLATE: NO VARIATIONS		TEMPLATE NO.
<small>© 2006 BY BALDWIN HARDWARE CORPORATION</small>		F161

EFFECTIVE 3/27/07