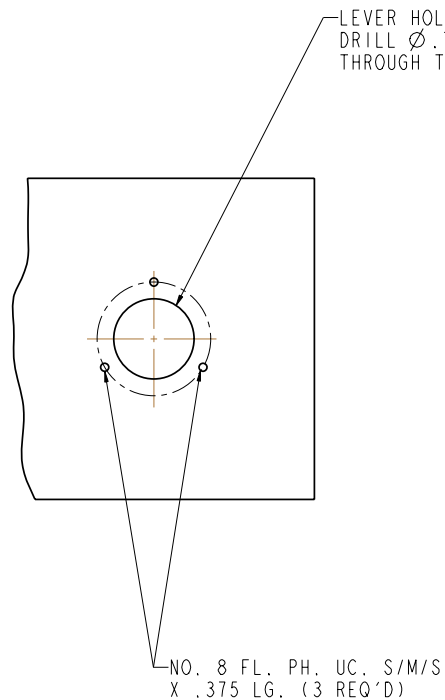
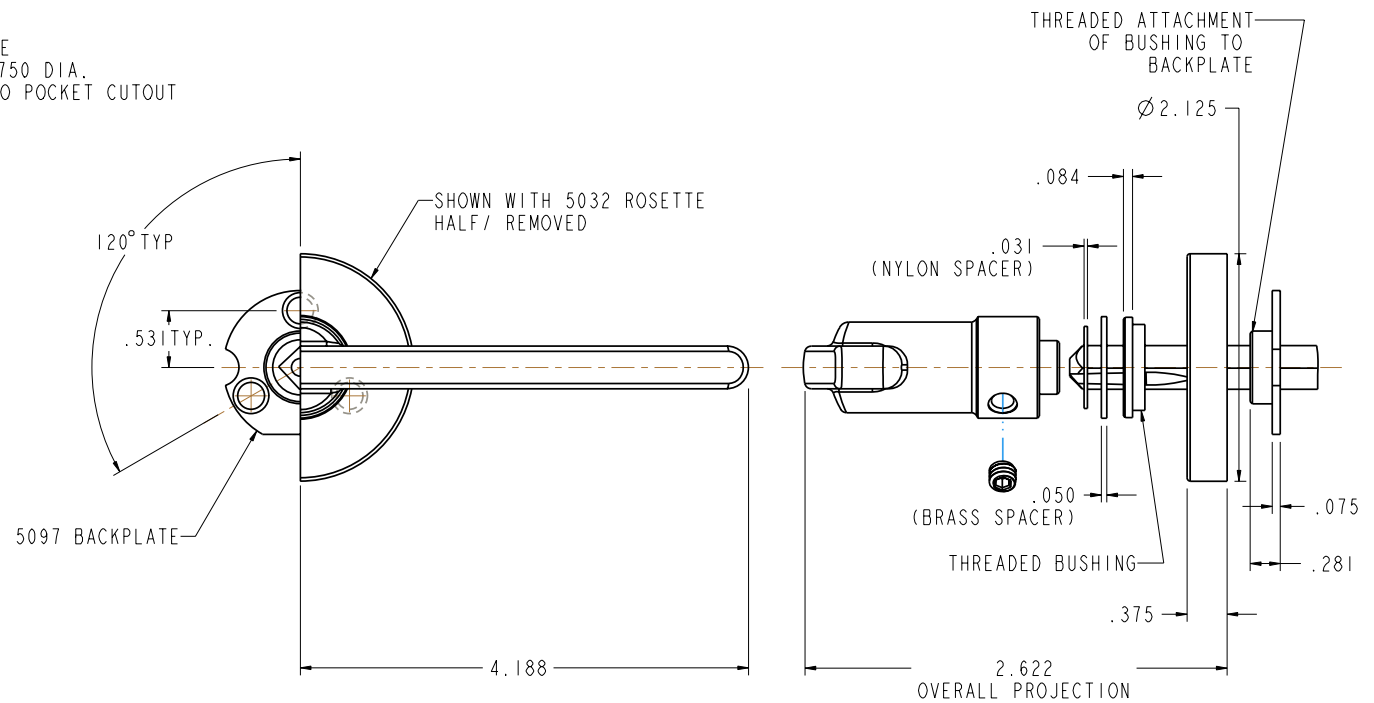


DOOR DETAIL



LEVER DETAIL


(RIGHT HAND ILLUSTRATED)



- NOTE:
1. FOR ADDITIONAL LOCK AND DOOR CUTOUT DIMENSIONS, SEE APPROPRIATE LOCK TEMPLATE.
 2. INSTALLATION PLATES ARE NOT REQ'D FOR THIS TRIM.
 3. SPECIFY RIGHT OR LEFT HAND. (NOT REVERSIBLE)

EFFECTIVE 3/27/07

DO NOT SCALE DRAWING

 BALDWIN HARDWARE CORPORATION <small>READING, PENNSYLVANIA</small>	A BLACK & DECKER COMPANY
	5164 LEVER, W/ROSETTE
TEMPLATE: NO VARIATIONS	
TEMPLATE NO.	
F164	
<small>© 2006 BY BALDWIN HARDWARE CORPORATION</small>	