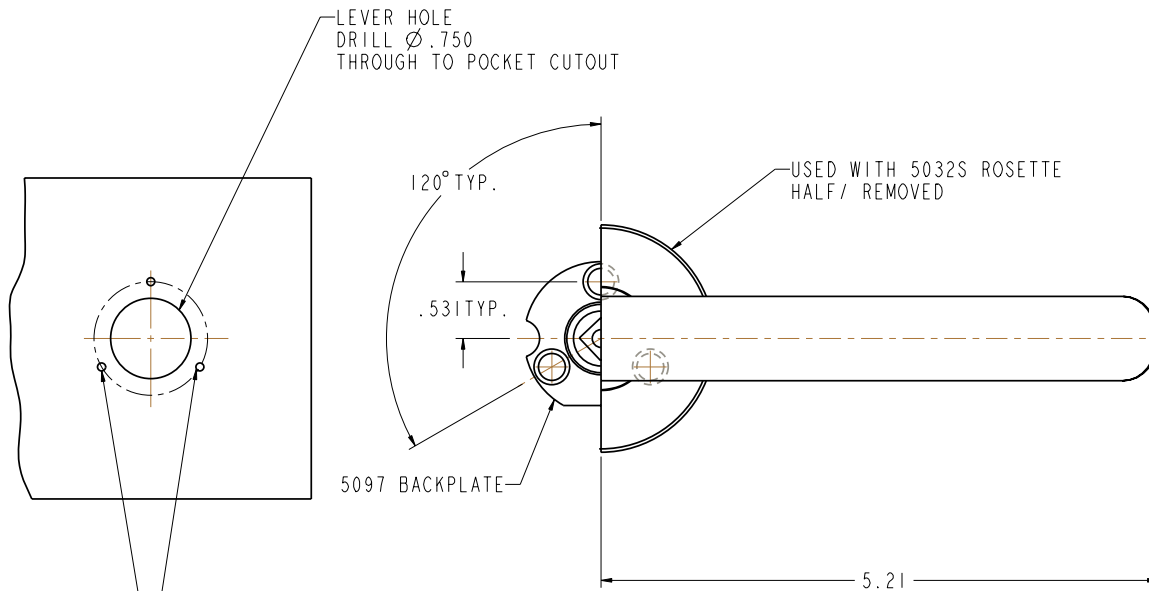


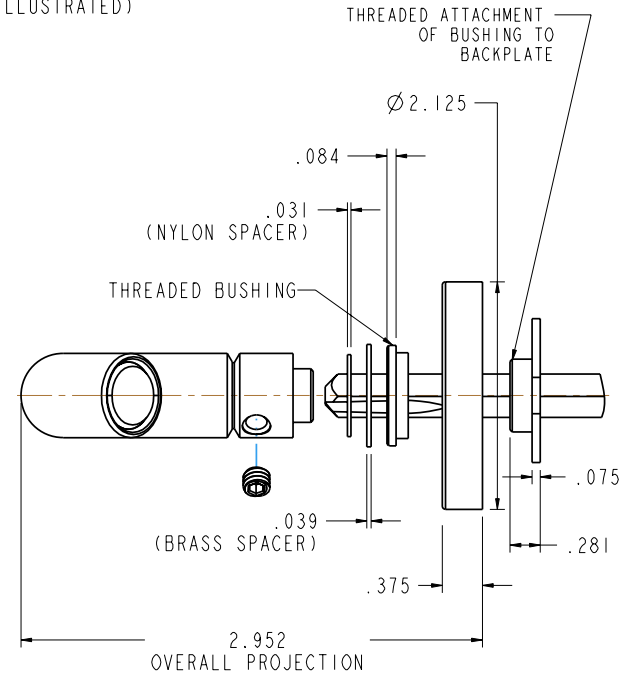
DOOR DETAIL



NO. 8 FL. PH. UC. S/M/S
X .375 LG. (3 REQ'D)

LEVER DETAIL


(RIGHT HAND ILLUSTRATED)



- NOTE:
1. FOR ADDITIONAL LOCK AND DOOR CUTOUT DIMENSIONS, SEE APPROPRIATE LOCK TEMPLATE.
 2. INSTALLATION PLATES ARE NOT REQ'D FOR THIS TRIM.
 3. SPECIFY RIGHT OR LEFT HAND. (NOT REVERSIBLE)

EFFECTIVE 3/27/07

DO NOT SCALE DRAWING

 BALDWIN HARDWARE CORPORATION READING, PENNSYLVANIA	A BLACK&DECKER COMPANY
TEMPLATE: NO VARIATIONS	TEMPLATE NO.
© 2006 BY BALDWIN HARDWARE CORPORATION	F172