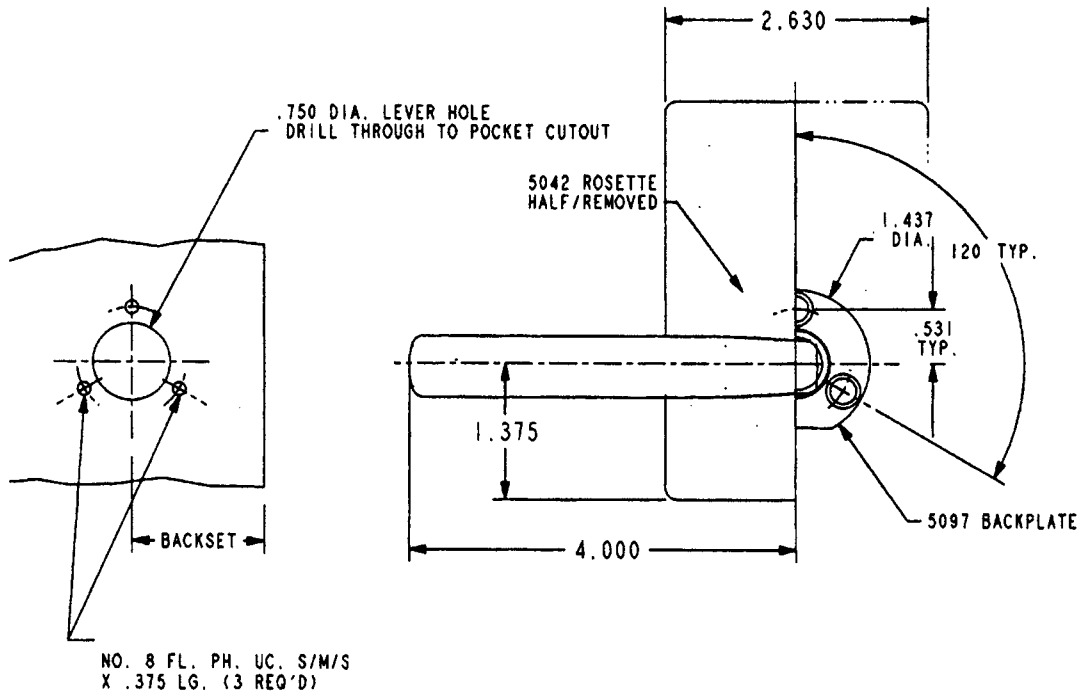
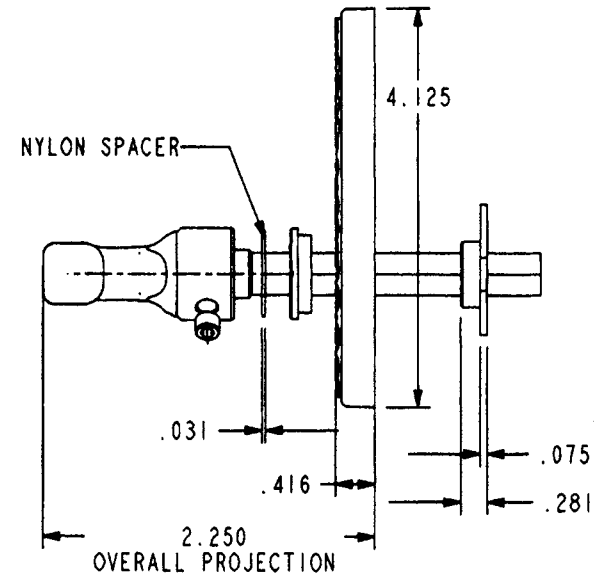


# DOOR DETAIL



# LEVER DETAIL (LEFT HAND ILLUSTRATED)



DO NOT SCALE DRAWING



5190 LEVER WITH ROSETTE

TEMPLATE NO. VARIATIONS

TEMPLATE NO.

© 1986 BY BALDWIN HARDWARE CORPORATION

F-615

EFFECTIVE: 2-3-97

NOTE:

- 1.) FOR ADDITIONAL LOCK AND DOOR CUTOUT DIMENSIONS, SEE APPROPRIATE LOCK TEMPLATE.
- 2.) INSTALLATION PLATES ARE NOT REQUIRED FOR THIS TRIM.
- 3.) SPECIFY RIGHT OR LEFT HAND. (NOT REVERSIBLE)