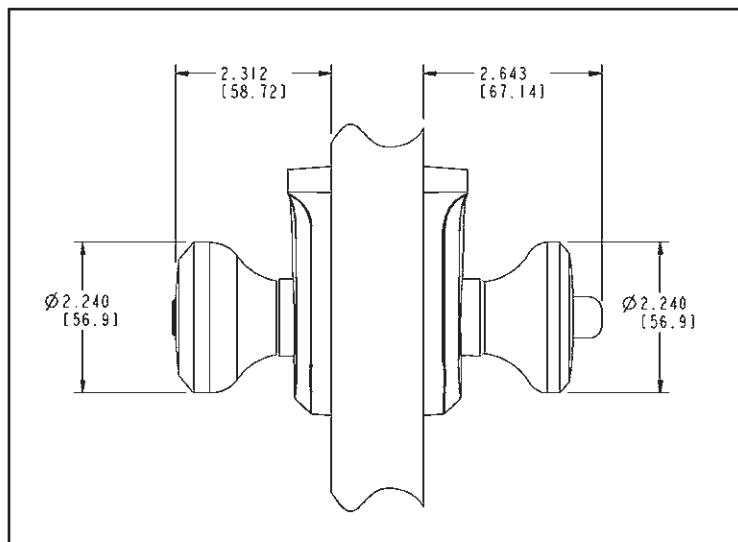


5220 - TAHOE KNOB IMAGES KNOB

SPECIFICATIONS



- > Certified by Underwriters Laboratories (UL) for use on fire doors up to three-hour rating
- > U L10C / UBC 7-2 (1997) Positive Pressure Rated, UL10B Pressure Rated
- > Material: Solid Forged Brass

SHOWN WITH TAHOE ROSE



TIER 1 FINISHES



TIER 2 FINISHES

