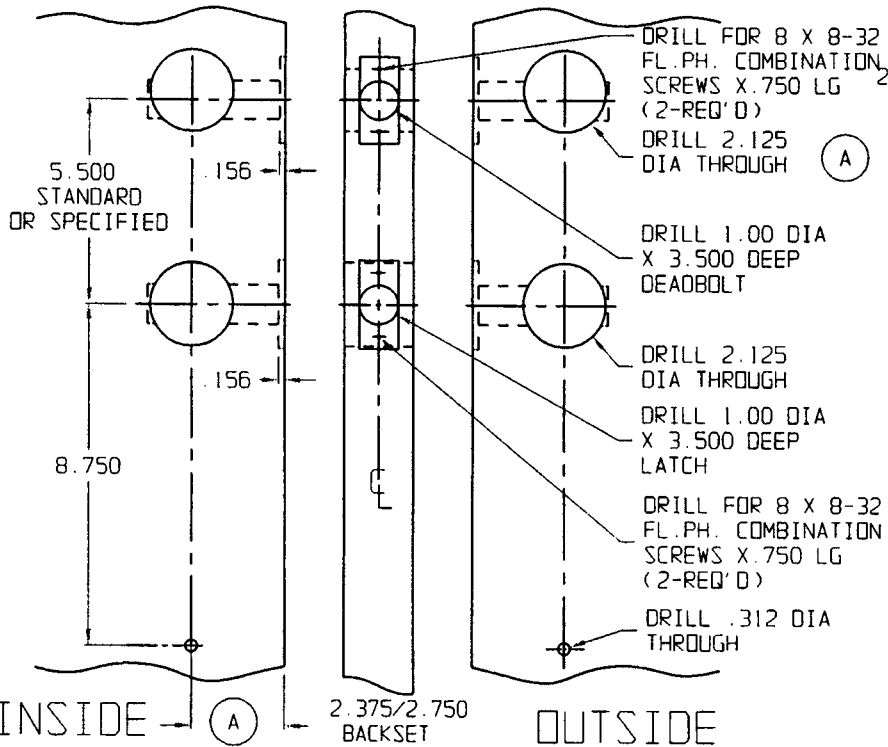


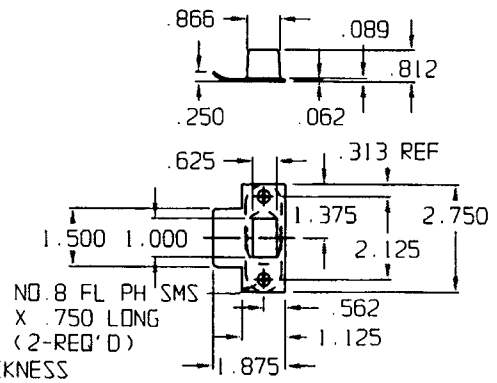
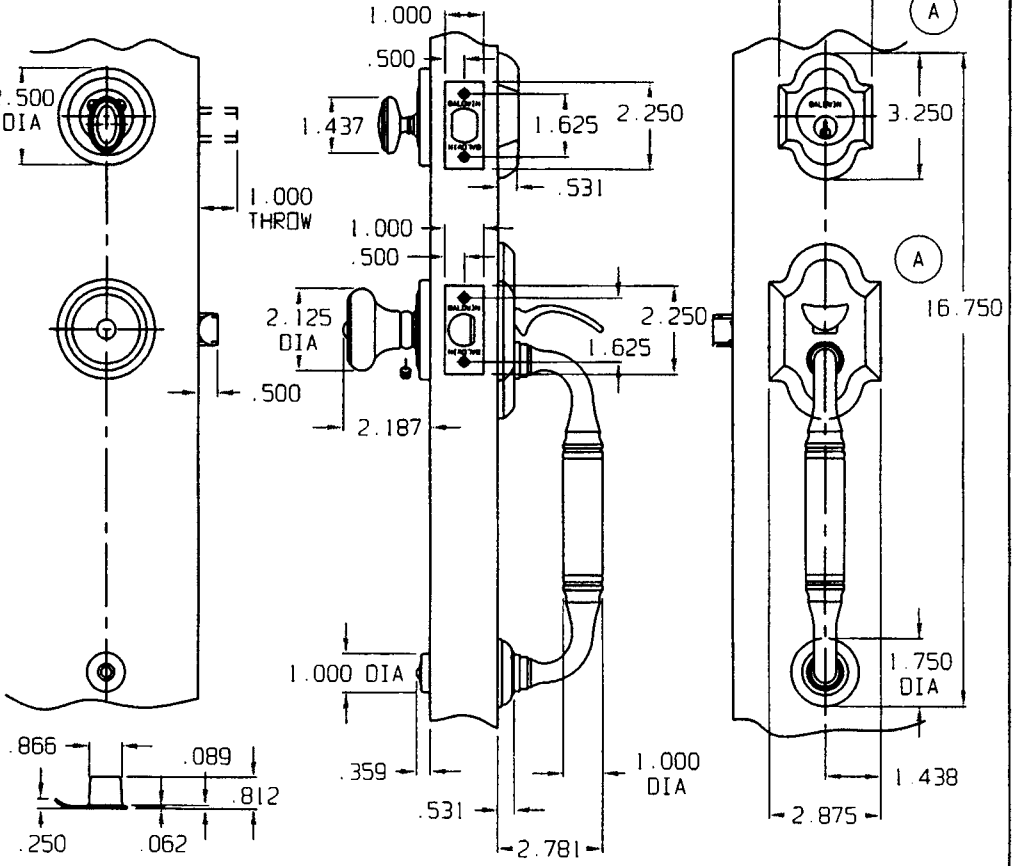
# DOOR DETAIL



- DRILL FOR 8 X 8-32 FL. PH. COMBINATION SCREWS X .750 LG (2-REQ'D)
- DRILL 2.125 DIA THROUGH
- DRILL 1.00 DIA X 3.500 DEEP DEADBOLT
- DRILL 2.125 DIA THROUGH
- DRILL 1.00 DIA X 3.500 DEEP LATCH
- DRILL FOR 8 X 8-32 FL. PH. COMBINATION SCREWS X .750 LG (2-REQ'D)
- DRILL .312 DIA THROUGH

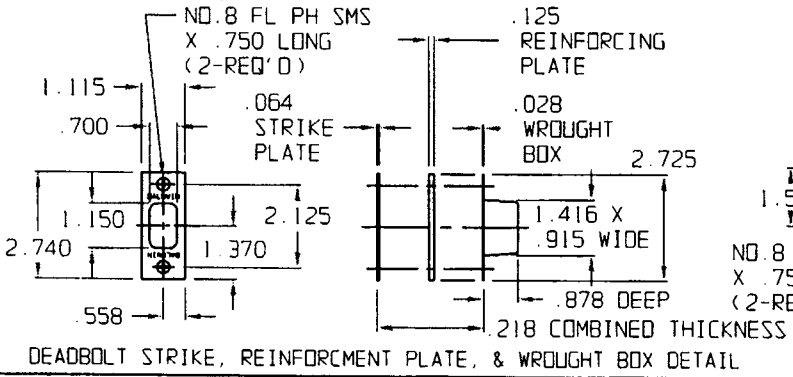
# TRIM DETAIL

RIGHT HAND ILLUSTRATED



NO. 8 FL PH SMS X .750 LONG (2-REQ'D)

EFFECTIVE: 2-3-97



DEADBOLT STRIKE, REINFORCEMENT PLATE, & WROUGHT BOX DETAIL

LATCH STRIKE & WROUGHT BOX DETAIL

DO NOT SCALE DRAWING



5305 ENTR

TEMPLATE NO. VARIATIONS

TEMPLATE NO.

© 1992 BY BALDWIN HARDWARE CORPORATION

IM001 A