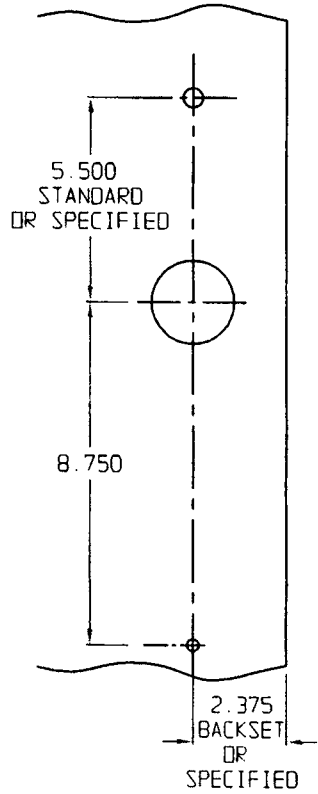
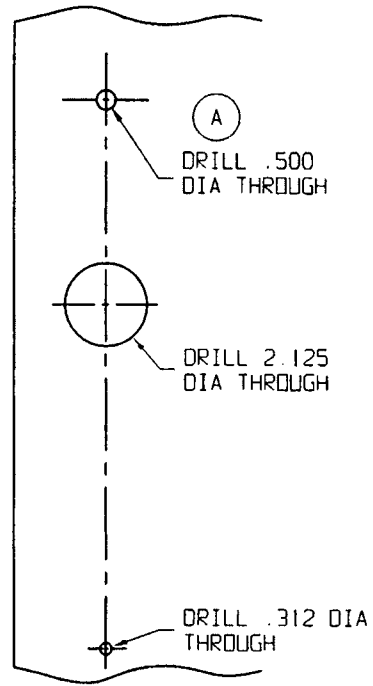
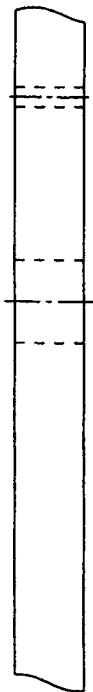


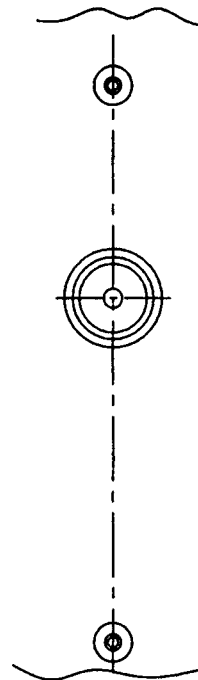
DOOR DETAIL



INSIDE

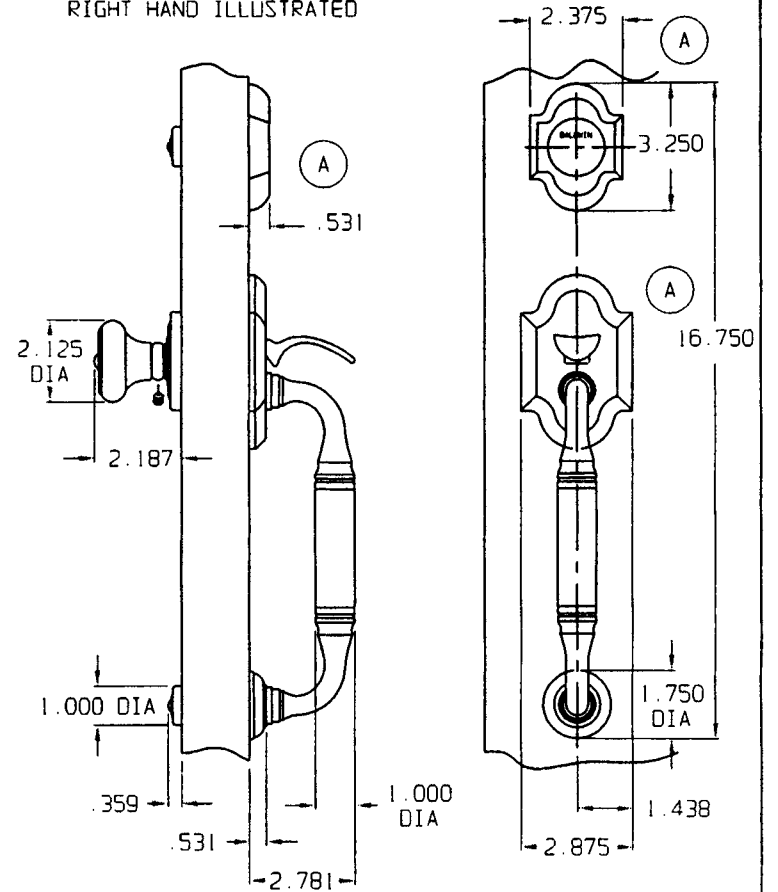


OUTSIDE



TRIM DETAIL

RIGHT HAND ILLUSTRATED



DO NOT SCALE DRAWING

BALDWIN

5305 FD

TEMPLATE NO. VARIATIONS
5306-ENTR 5306-DBLC

TEMPLATE NO.
IM005A

© 1992 BY BALDWIN HARDWARE CORPORATION

EFFECTIVE 2-3-97