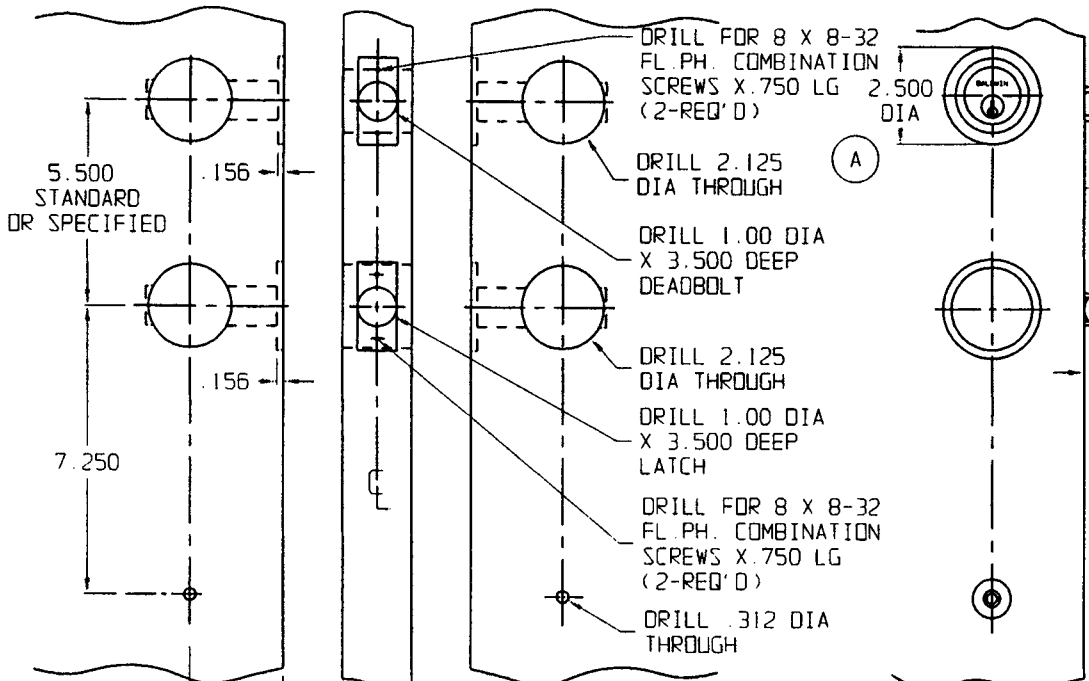
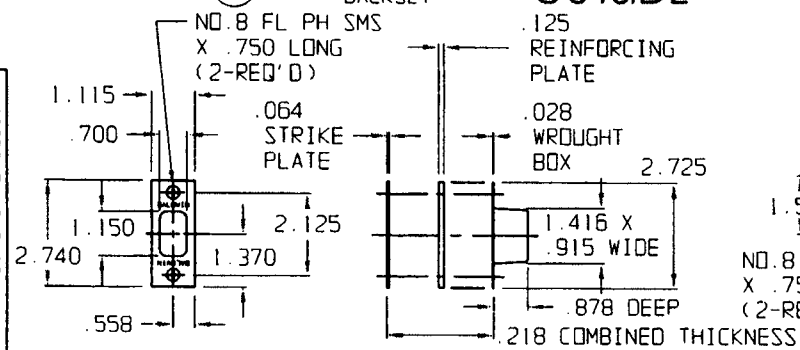


DOOR DETAIL

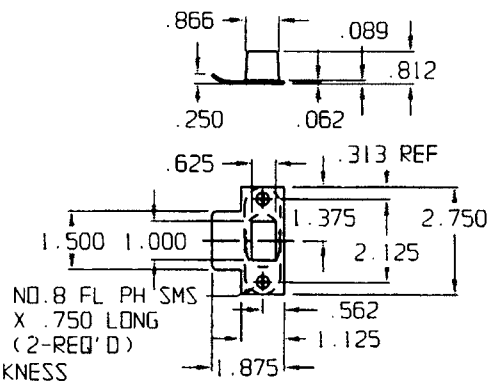


INSIDE

OUTSIDE



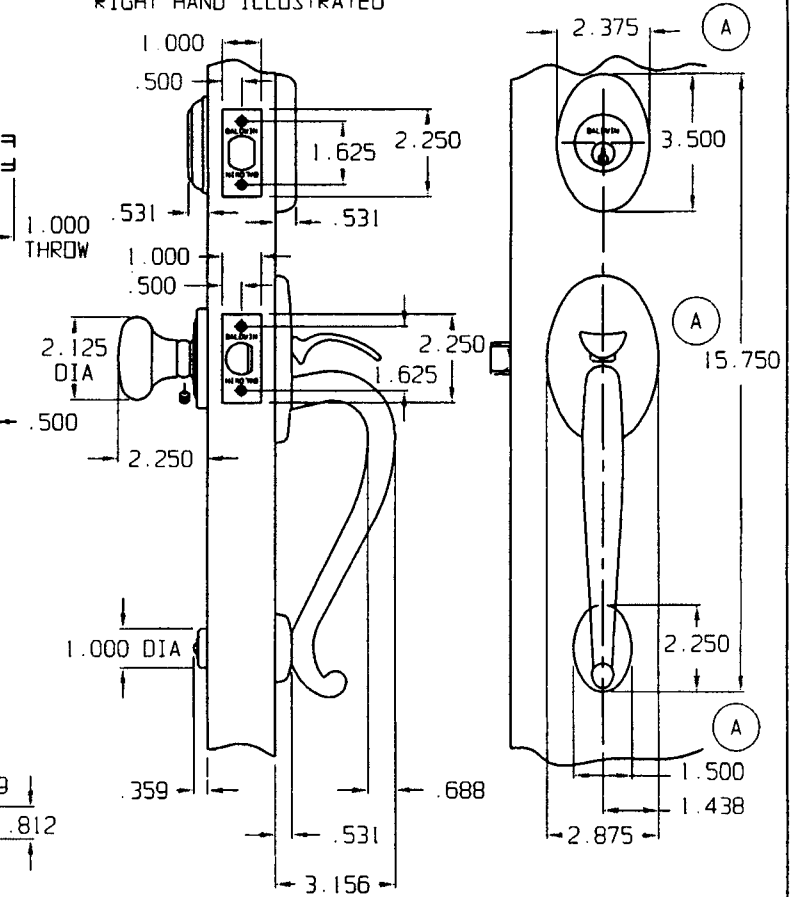
DEADBOLT STRIKE, REINFORCEMENT PLATE, & WROUGHT BOX DETAIL



LATCH STRIKE & WROUGHT BOX DETAIL

TRIM DETAIL

RIGHT HAND ILLUSTRATED



DO NOT SCALE DRAWING

BALDWIN

531 5 DBLC

TEMPLATE NO. VARIATIONS

TEMPLATE NO.

© 1992 BY BALDWIN HARDWARE CORPORATION

IM01 3A

EFFECTIVE: 2-3-97