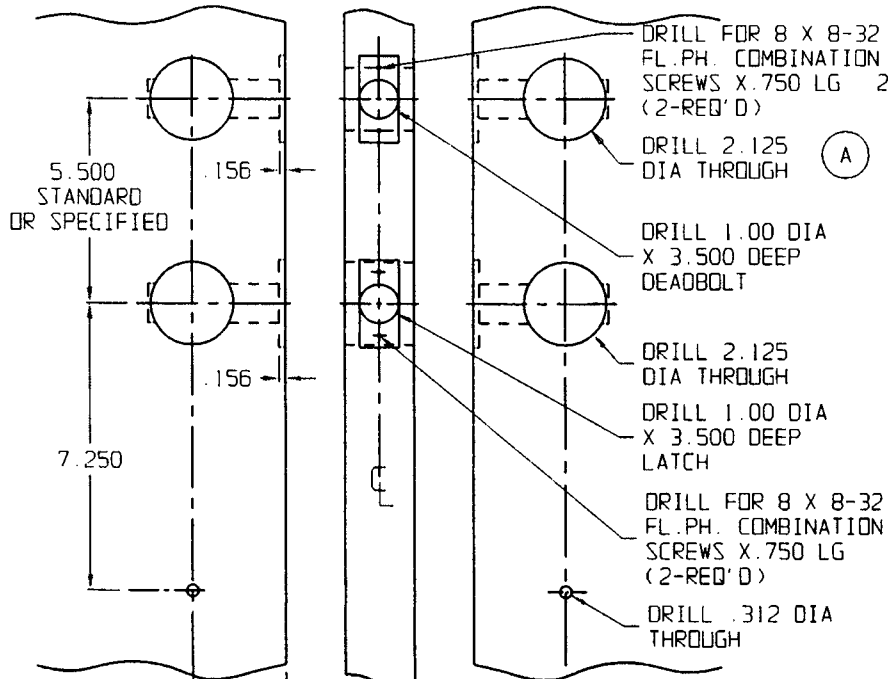
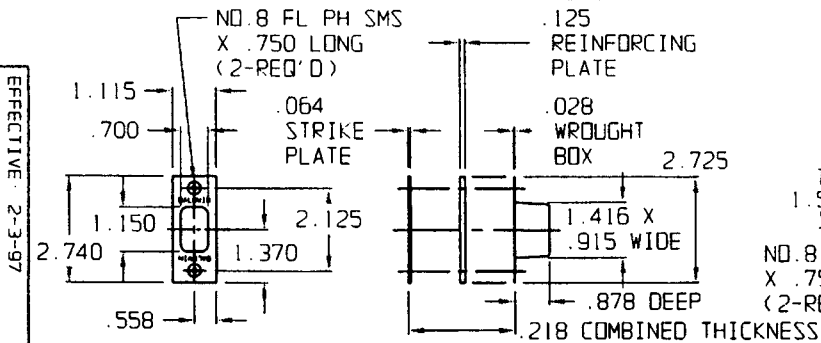


# DOOR DETAIL

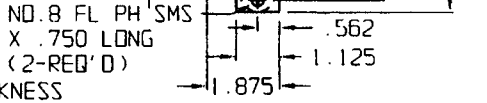
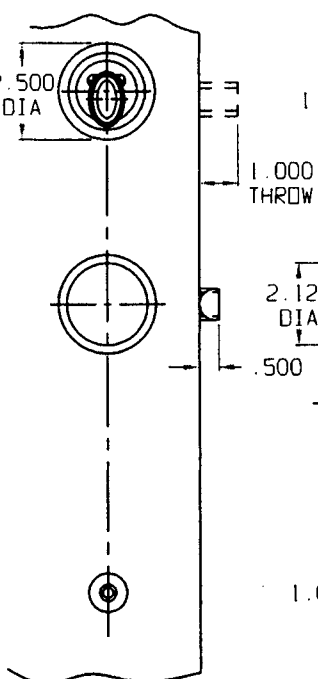


INSIDE

OUTSIDE

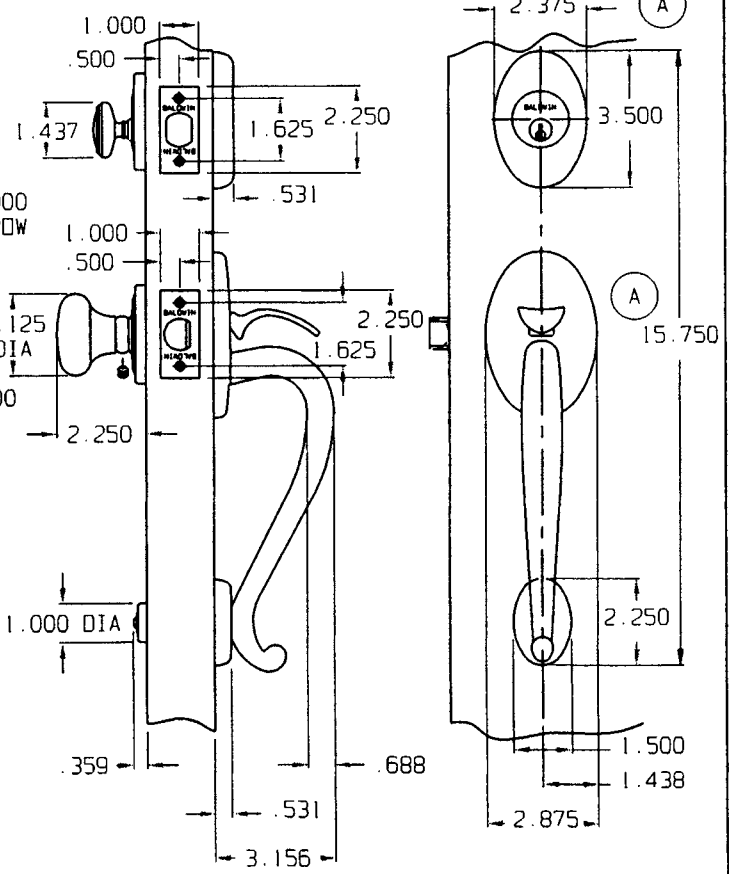


DEADBOLT STRIKE, REINFORCEMENT PLATE, & WROUGHT BOX DETAIL



LATCH STRIKE & WROUGHT BOX DETAIL

# TRIM DETAIL RIGHT HAND ILLUSTRATED



DO NOT SCALE DRAWING



5315 ENTR

TEMPLATE NO. VARIATIONS

TEMPLATE NO.

© 1992 BY BALDWIN HARDWARE CORPORATION

IM011A

EFFECTIVE 2-3-97