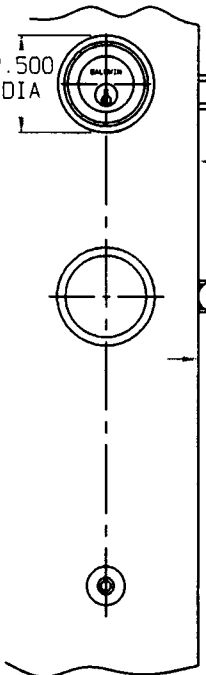
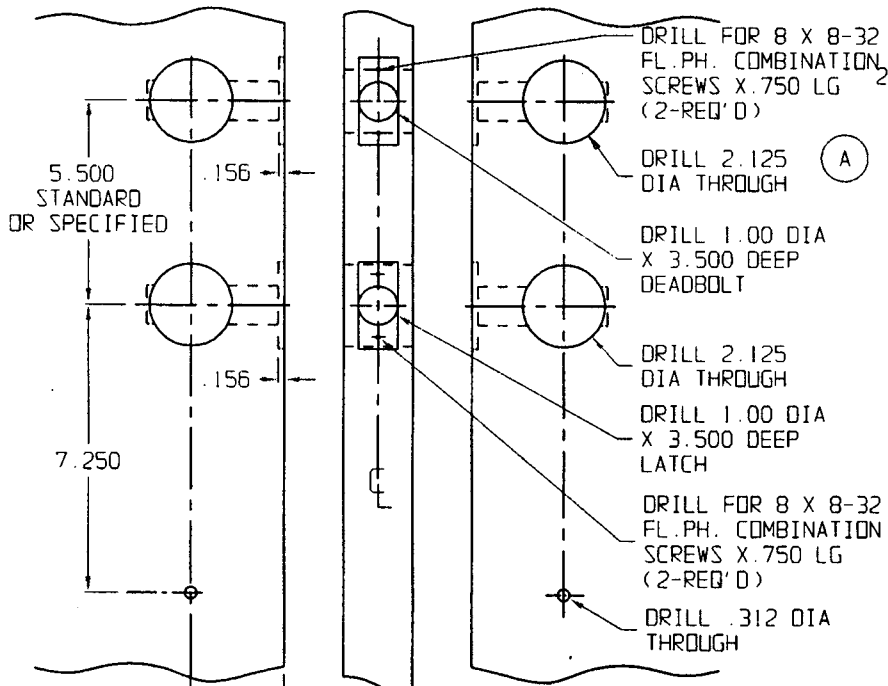
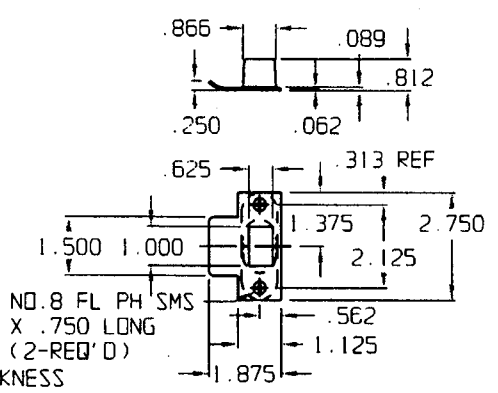
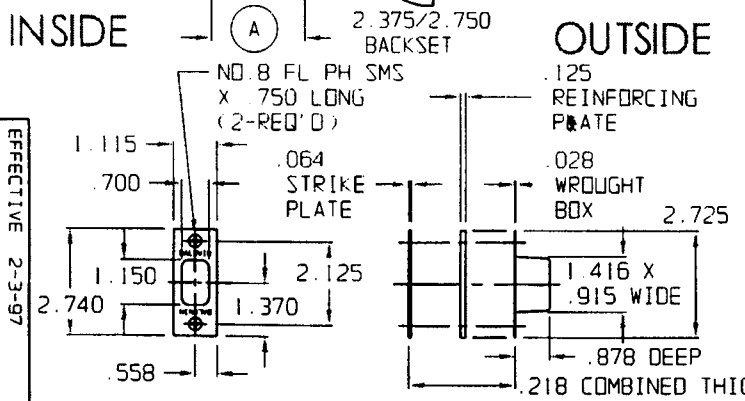
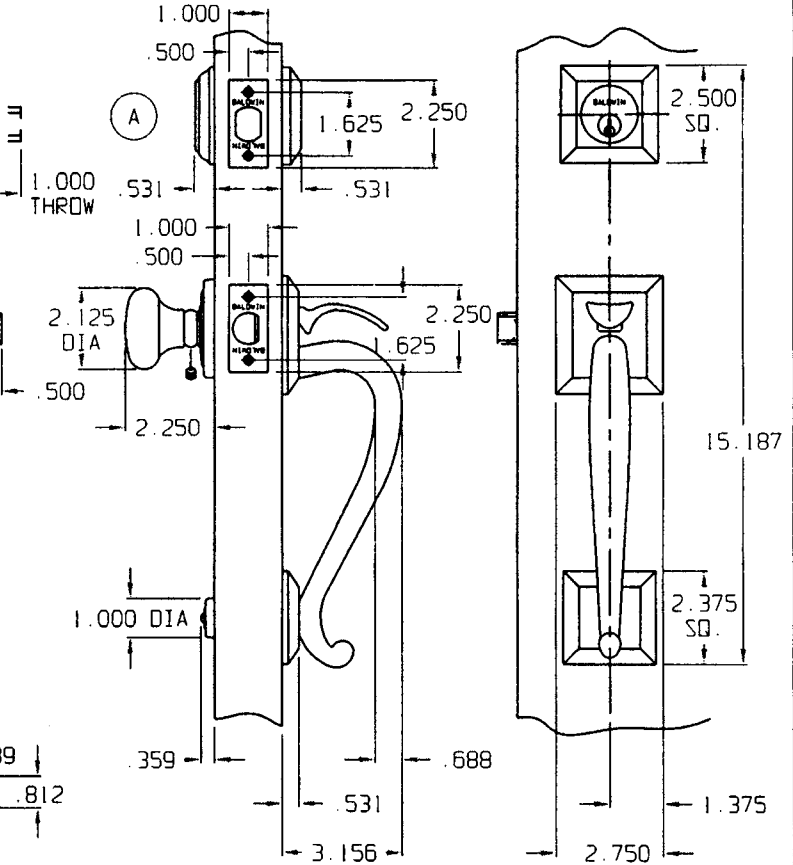


# DOOR DETAIL



# TRIM DETAIL

RIGHT HAND ILLUSTRATED



DO NOT SCALE DRAWING



5320 DBLC

TEMPLATE NO. VARIATIONS

TEMPLATE NO.

© 1992 BY BALDWIN HARDWARE CORPORATION

IM01 8A

EFFECTIVE 2-3-97

DEADBOLT STRIKE, REINFORCEMENT PLATE, & WROUGHT BOX DETAIL

LATCH STRIKE & WROUGHT BOX DETAIL