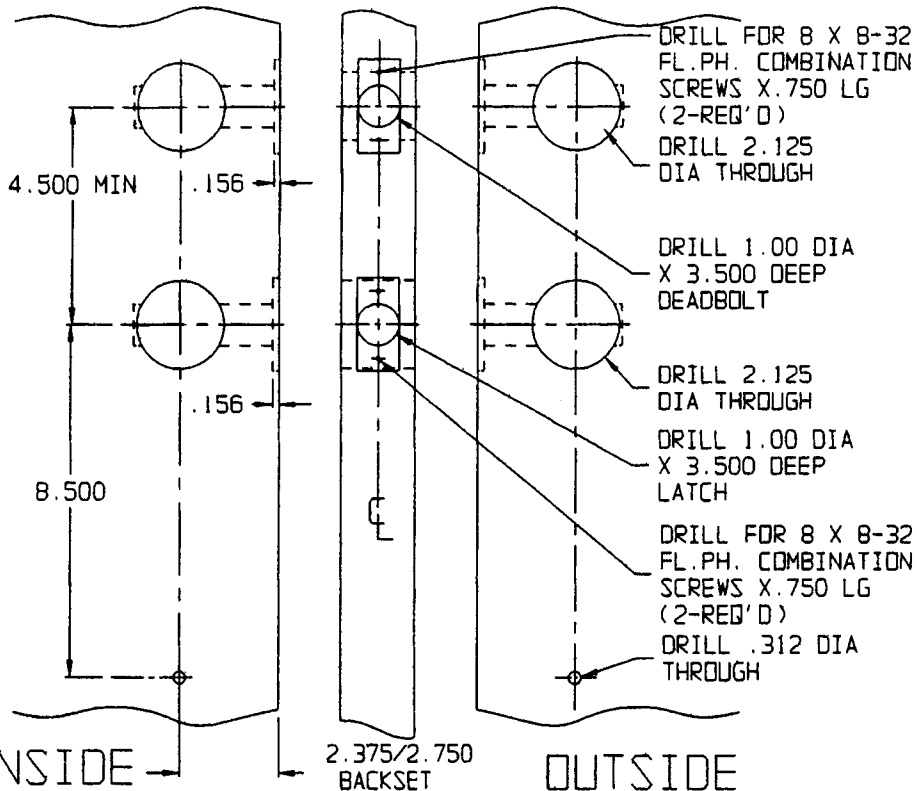
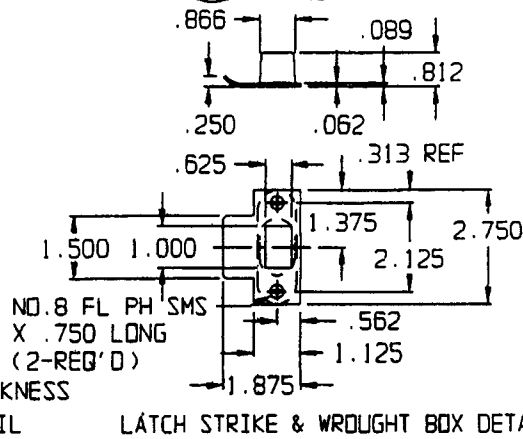
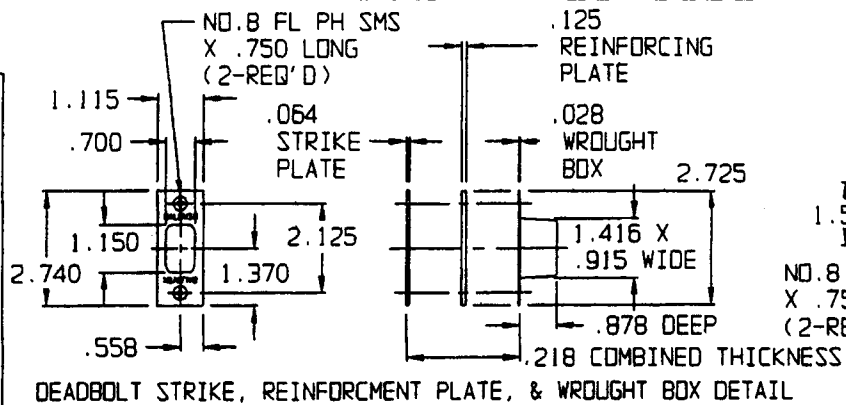
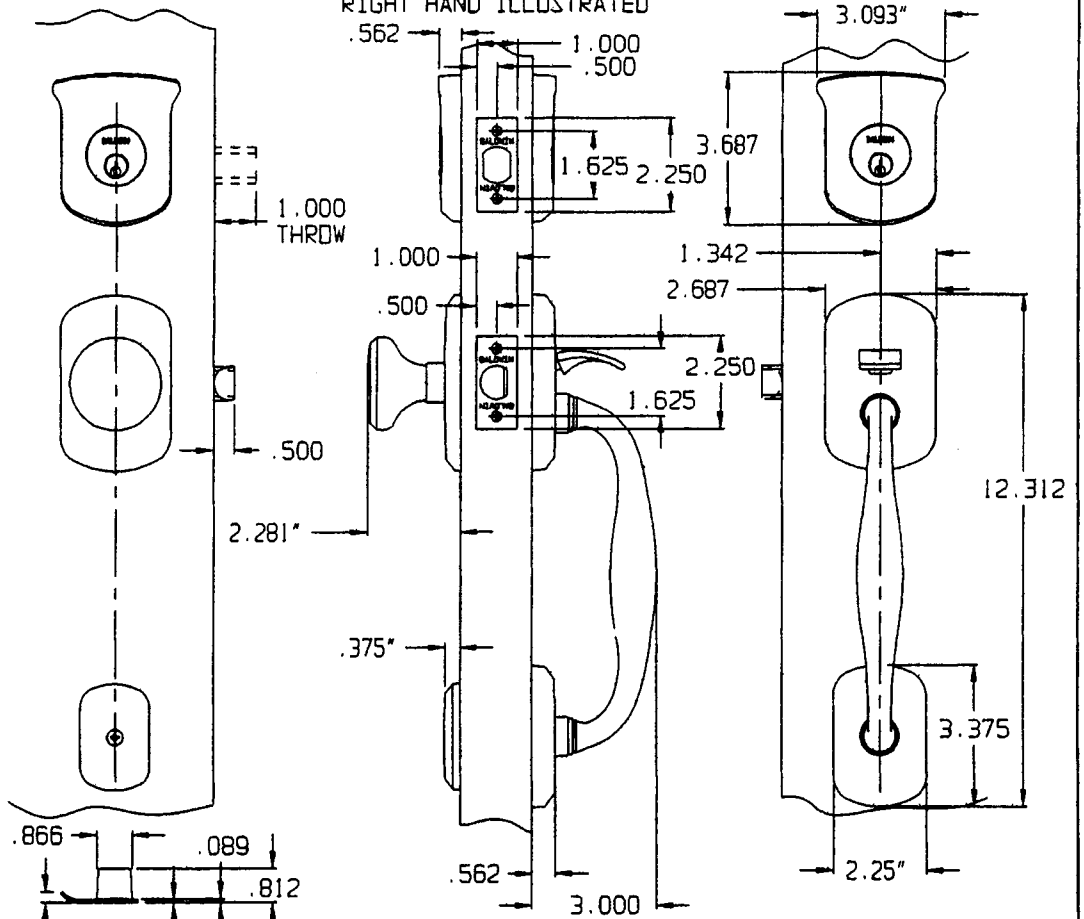


# DOOR DETAIL



# TRIM DETAIL

RIGHT HAND ILLUSTRATED



DO NOT SCALE DRAWING

**BALDWIN**

5325 DBLC

TEMPLATE NO. VARIATIONS

TEMPLATE NO.

© 1992 BY BALDWIN HARDWARE CORPORATION

IM050