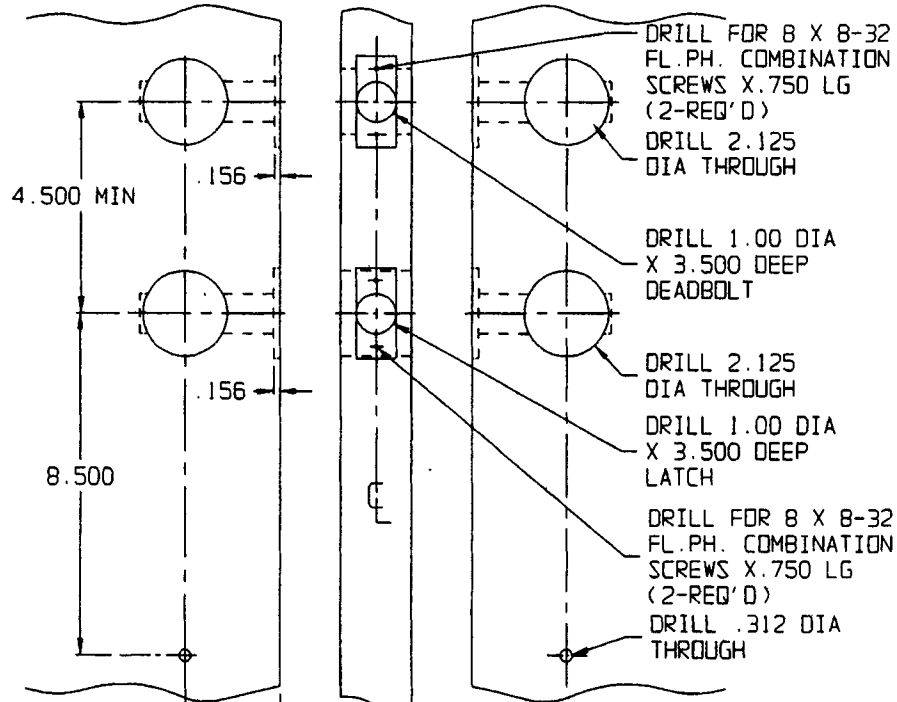


DOOR DETAIL

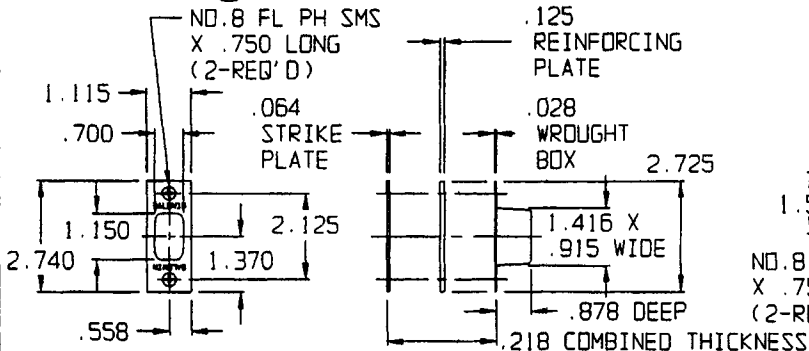


INSIDE

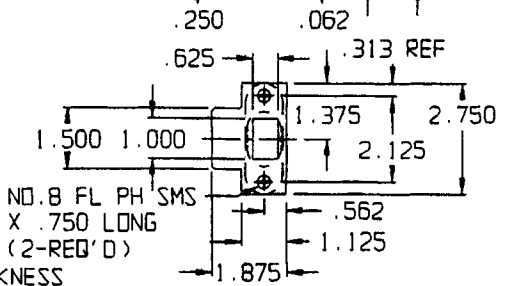
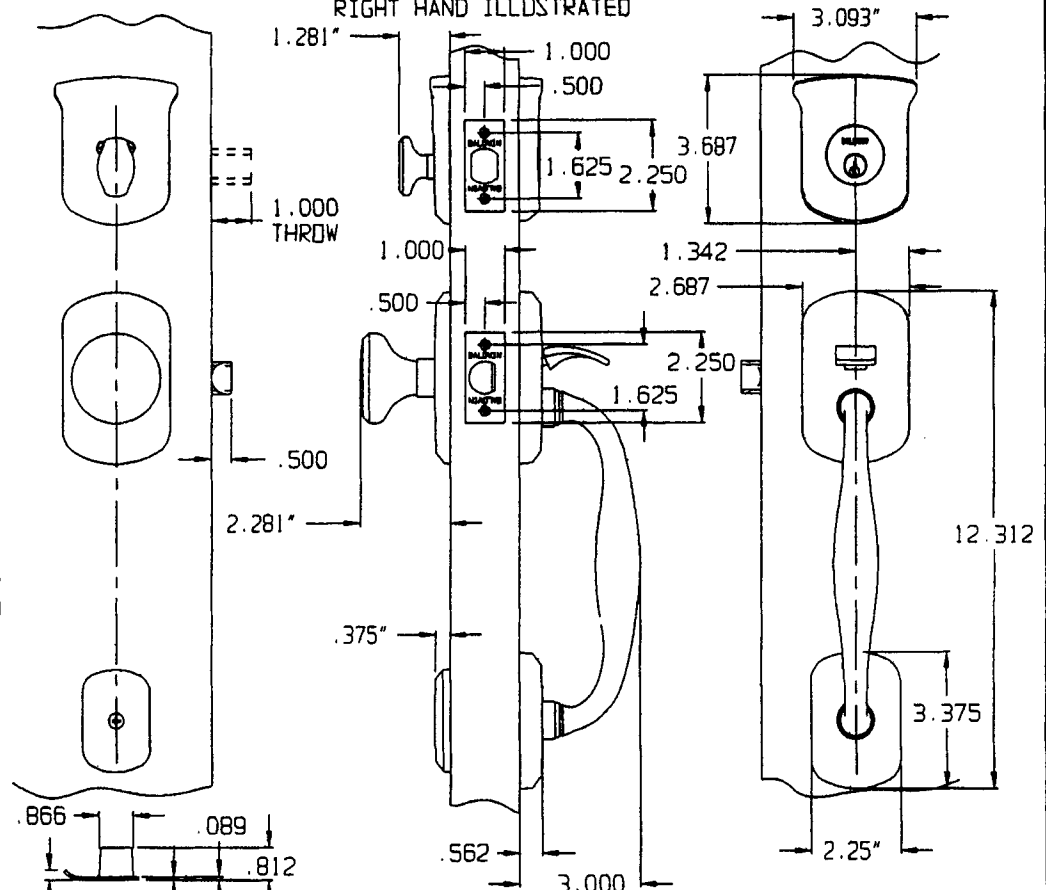
(A)

2.375/2.750 BACKSET

OUTSIDE



DEADBOLT STRIKE, REINFORCMENT PLATE, & WROUGHT BOX DETAIL



LATCH STRIKE & WROUGHT BOX DETAIL

EFFECTIVE: 11-20-01

DO NOT SCALE DRAWING

BALDWIN

5325 ENTR

TEMPLATE NO. VARIATIONS

TEMPLATE NO.

© 1992 BY BALDWIN HARDWARE CORPORATION

IM049