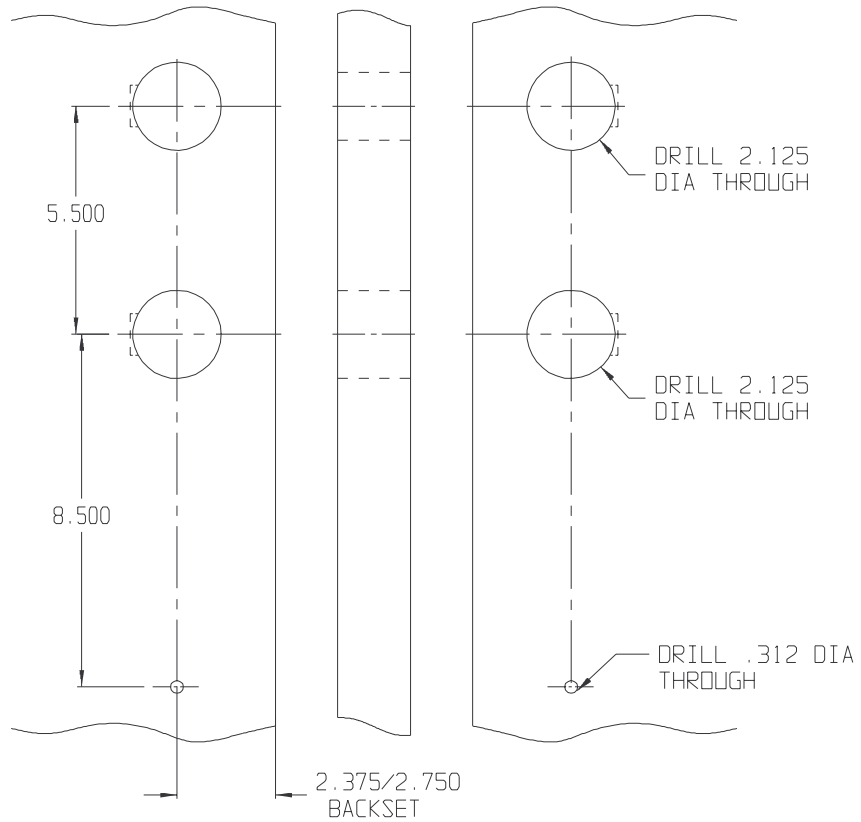
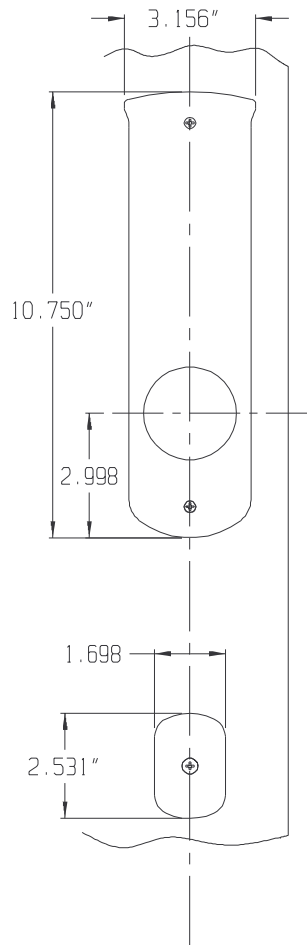


DOOR DETAIL



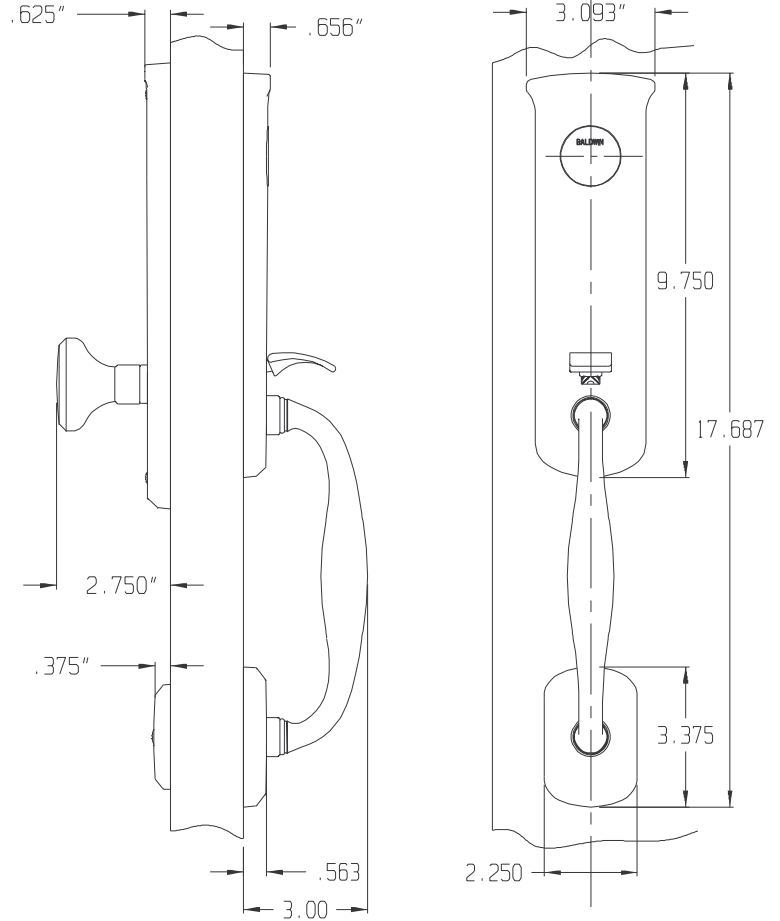
INSIDE

OUTSIDE



TRIM DETAIL

RIGHT HAND ILLUSTRATED



DO NOT SCALE DRAWING



BALDWIN HARDWARE CORPORATION

5340 FD

TEMPLATE NO. VARIATIONS

TEMPLATE NO.

© 1998 BY BALDWIN HARDWARE CORPORATION

IM056

EFFECTIVE: 11-27-07