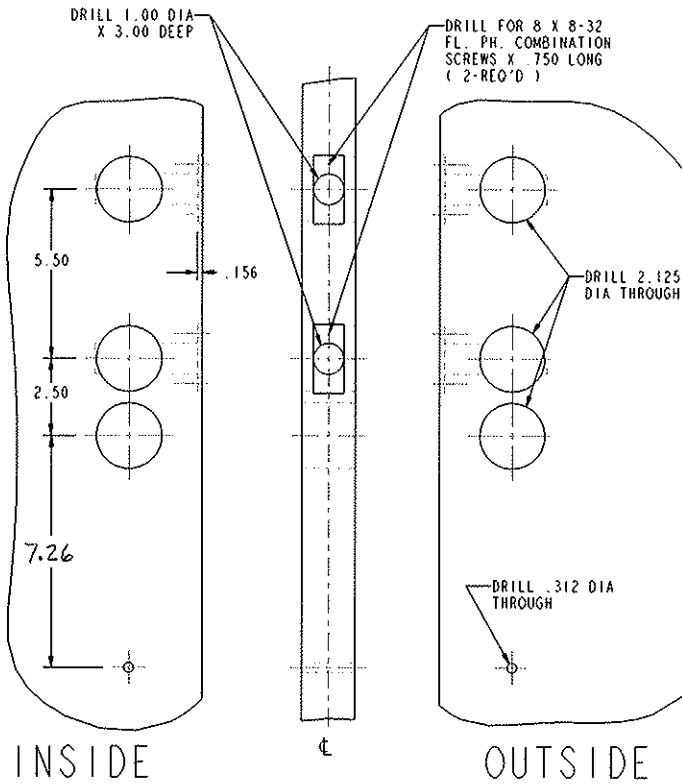
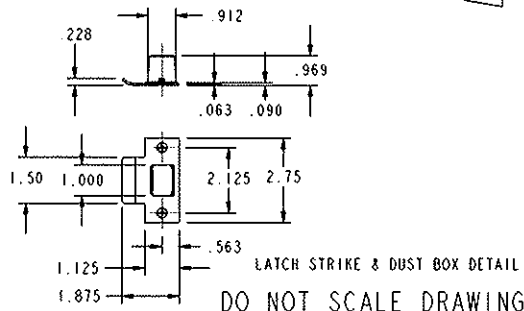
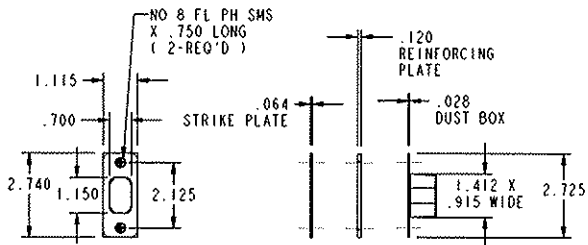
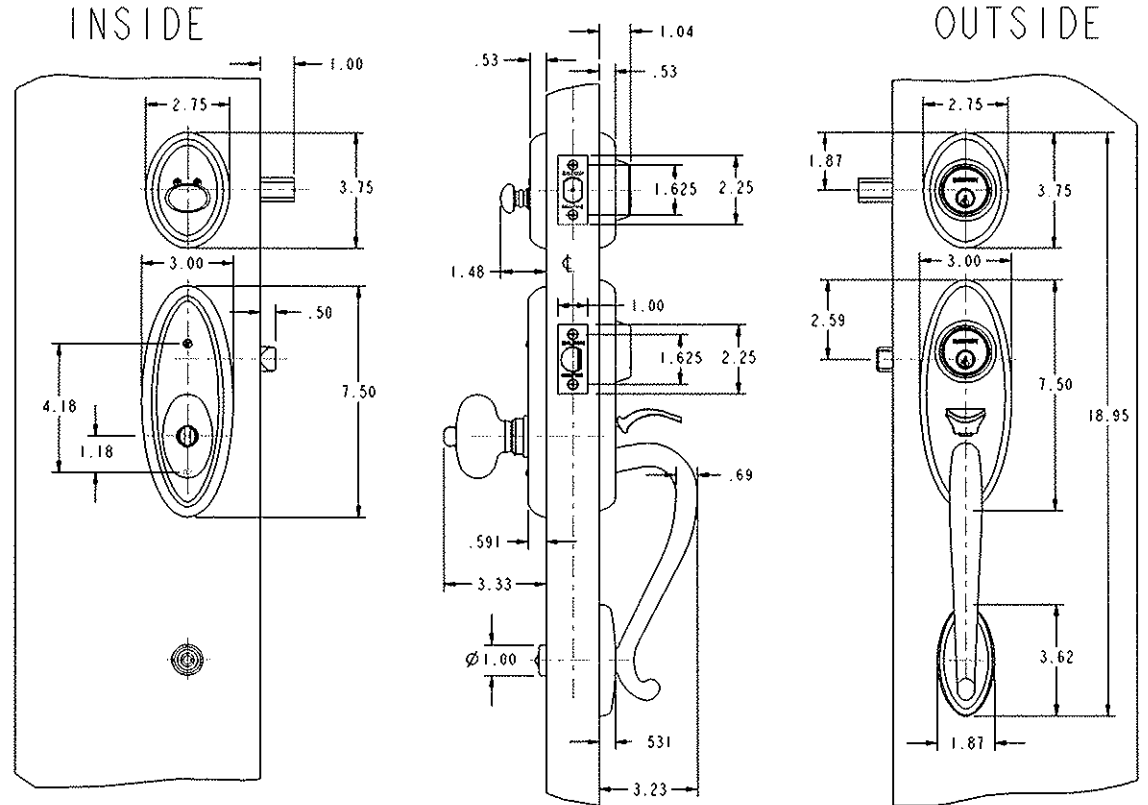


DOOR DETAIL



TRIM DETAIL



BALDWIN **BLACK & DECKER**
 HARDWARE CORPORATION
 READING, PENNSYLVANIA
 COMPANY

5345-2ENT LONDON KNOB

TEMPLATE: NO VARIATIONS TEMPLATE NO.

© 2006 BY BALDWIN HARDWARE CORPORATION **IM345KN**

EFFECTIVE 02/14/07