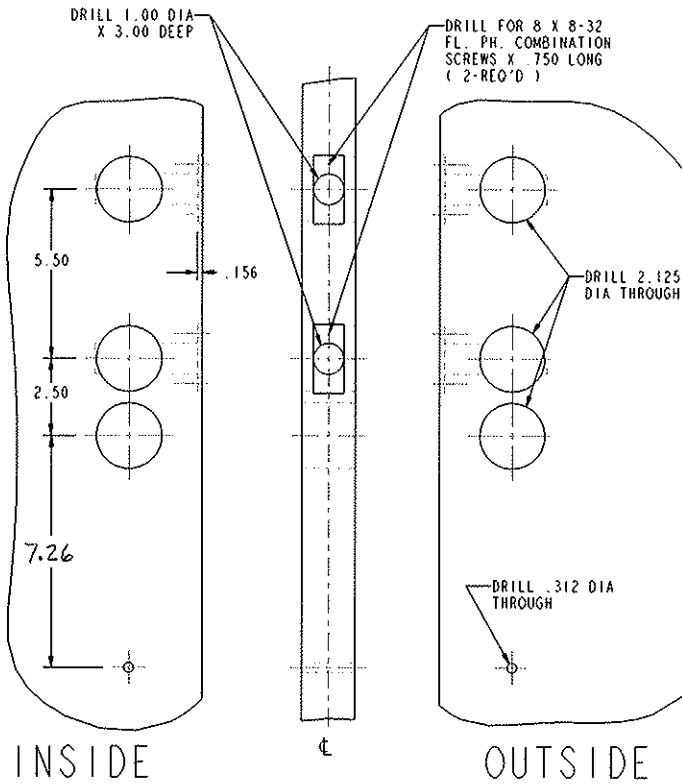
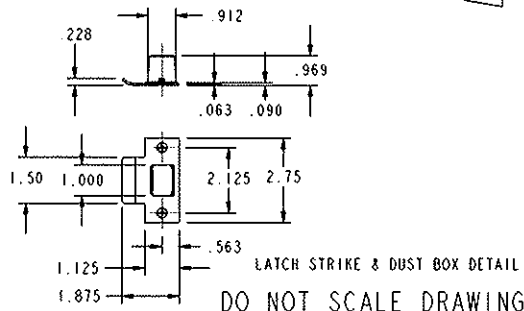
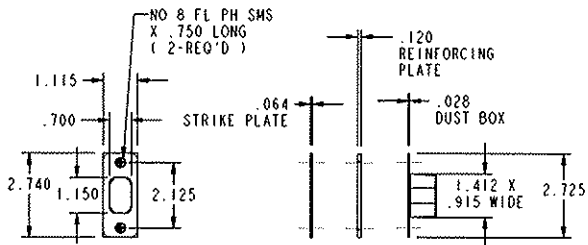
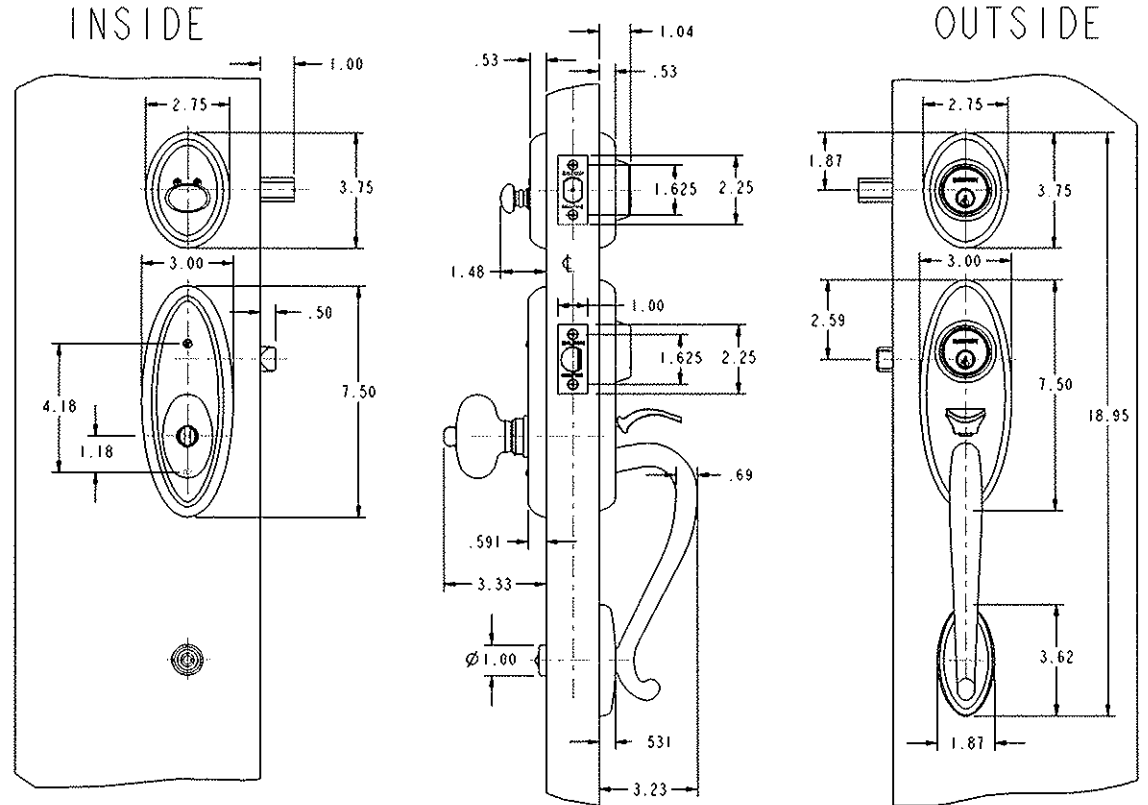


# DOOR DETAIL



# TRIM DETAIL



**BALDWIN** **BLACK & DECKER**  
 HARDWARE CORPORATION  
 READING, PENNSYLVANIA  
 COMPANY

**5345-2ENT LANDON KNOB**

TEMPLATE: NO VARIATIONS TEMPLATE NO.

© 2006 BY BALDWIN HARDWARE CORPORATION **IM345KN**

EFFECTIVE 02/14/07