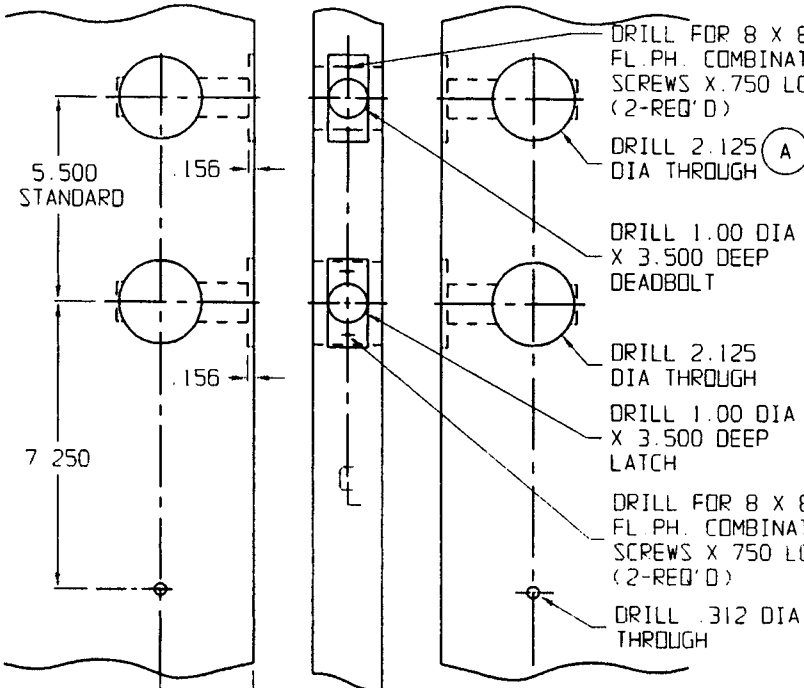
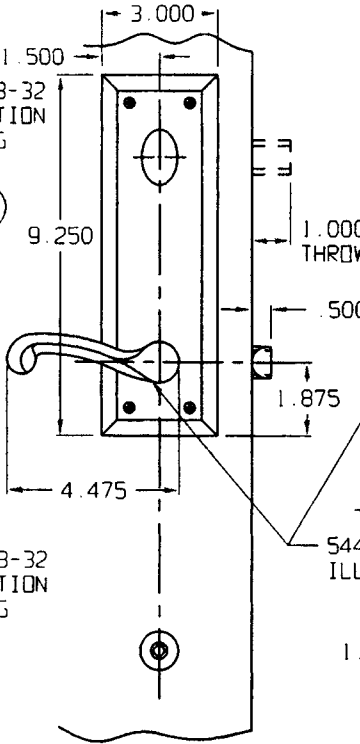


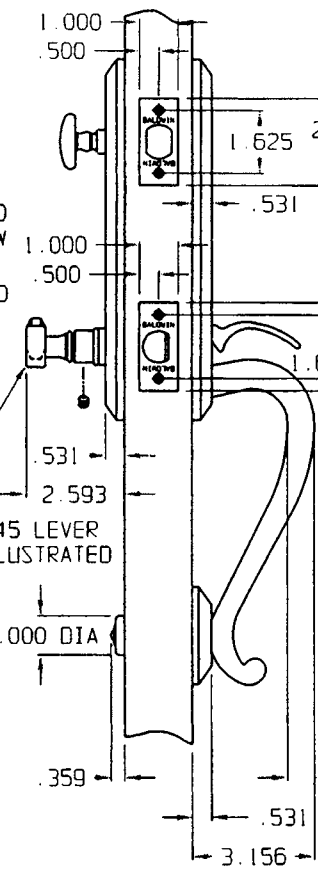
# DOOR DETAIL



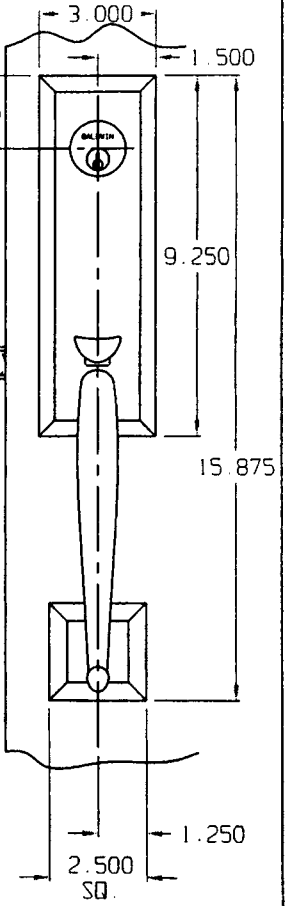
# INSIDE



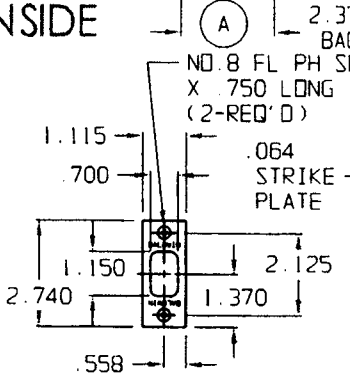
# TRIM DETAIL



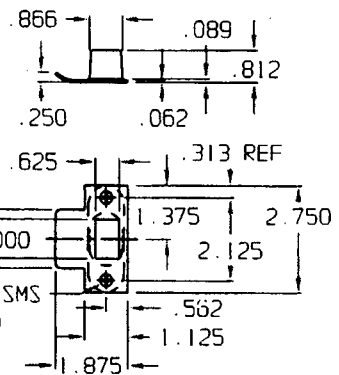
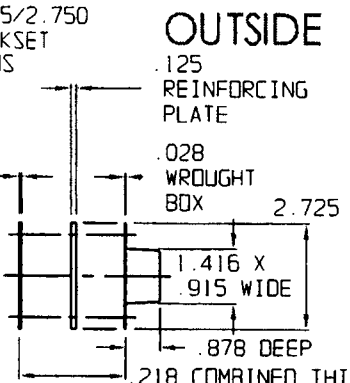
# OUTSIDE



# INSIDE



# OUTSIDE



DO NOT SCALE DRAWING



5355 LENT/RENT

TEMPLATE NO. VARIATIONS

TEMPLATE NO.

© 1992 BY BALDWIN HARDWARE CORPORATION

IM037A

EFFECTIVE 2-3-97

DEADBOLT STRIKE, REINFORCMENT PLATE, & WROUGHT BOX DETAIL LATCH STRIKE & WROUGHT BOX DETAIL