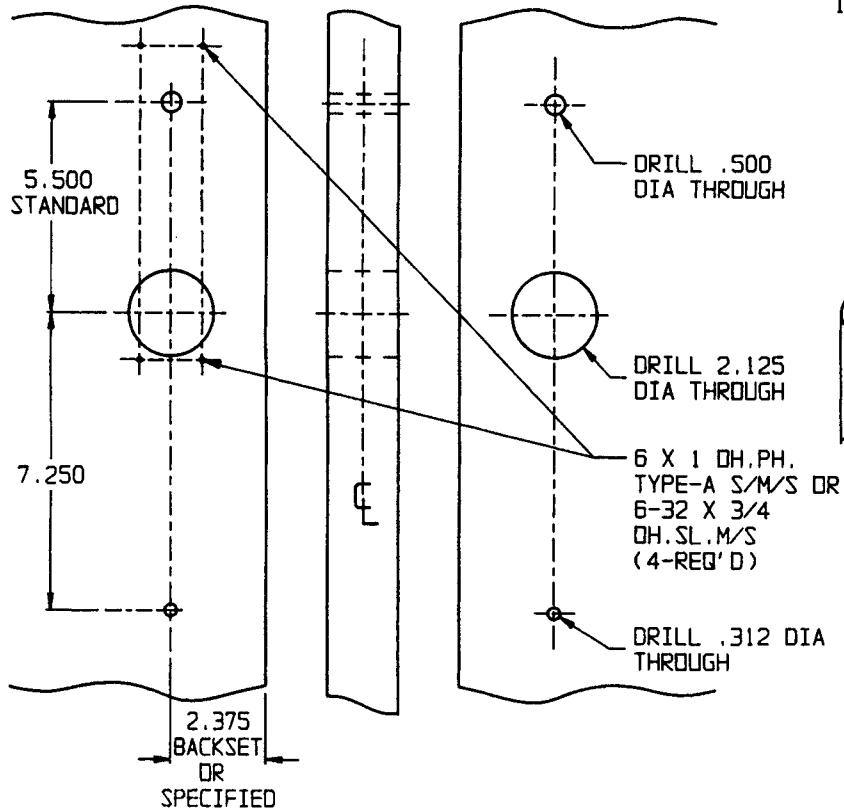


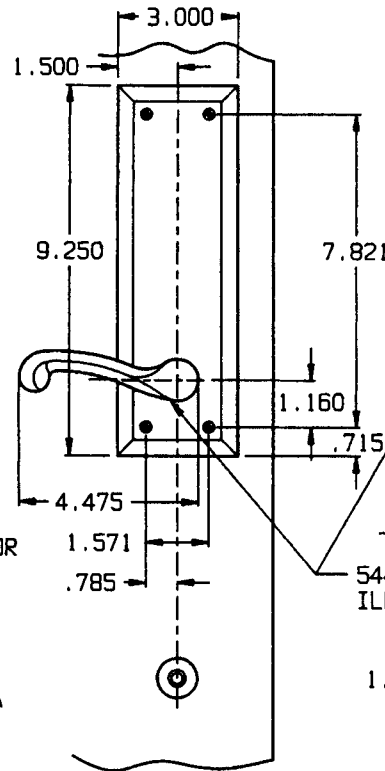
DOOR DETAIL



INSIDE

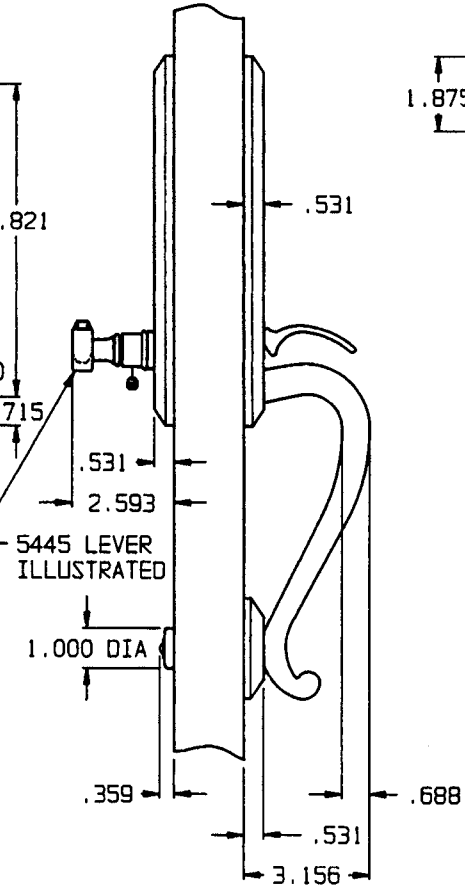
OUTSIDE

INSIDE

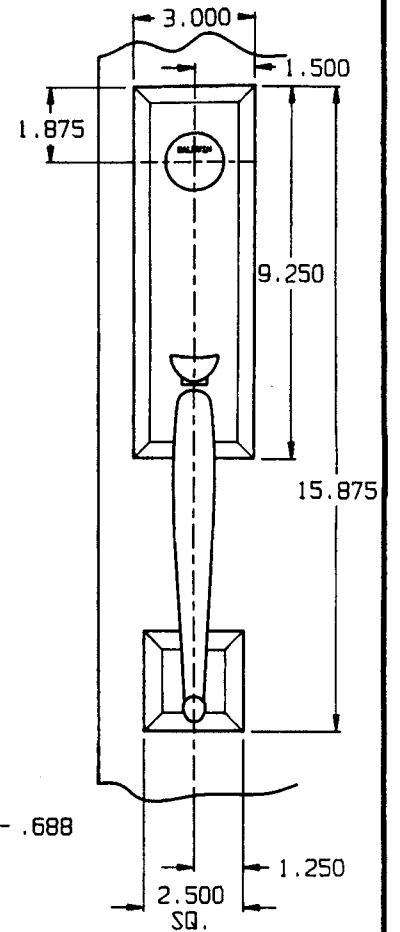


TRIM DETAIL

RFD ILLUSTRATED



OUTSIDE



DO NOT SCALE DRAWING

BALDWIN

5355 LFD/RFD

TEMPLATE NO. VARIATIONS

TEMPLATE NO.

© 1992 BY BALDWIN HARDWARE CORPORATION

IM039

EFFECTIVE: 5-1-92